

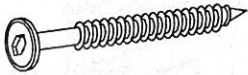
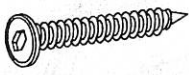

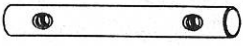

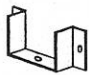


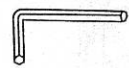

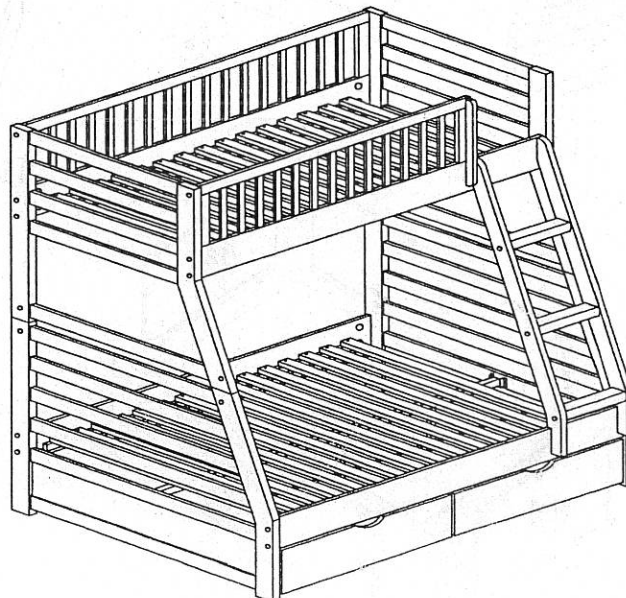


## ASSEMBLY INSTRUCTIONS TRIPLE BUNK BED WITH 2 DRAWER

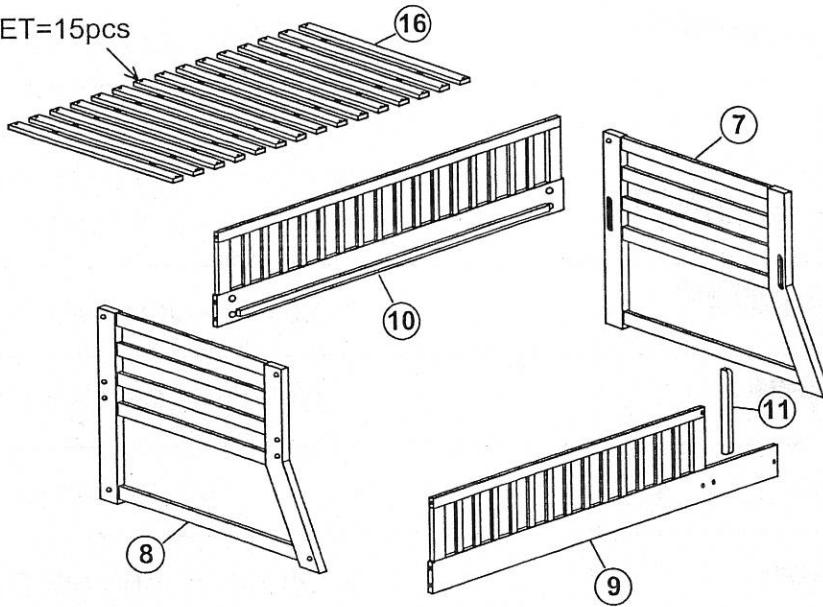
### HARDWARE LIST

<b>A</b>		1/4 x 80 – JCBC BOLT	16
<b>B</b>		HALF MOON WASHER	16
<b>C</b>		7.0 x 80 – JCBC BOLT	03
<b>D</b>		7.0 x 50 – JCBC BOLT	06
<b>E</b>		1/4 x 35 – JCBC BOLT	06
<b>F</b>		10 x 80 – NUTS	04
<b>G</b>		1/4 x 25 – JCBC BOLT	08
<b>H</b>		CENTRE RAIL SUPPORT	02
<b>I</b>		4 x 30 – SCREWS	76
<b>J</b>		4 x 15 – SCREWS	06
<b>K</b>		ALLEN KEY	01
<b>L</b>		STICKERS	33

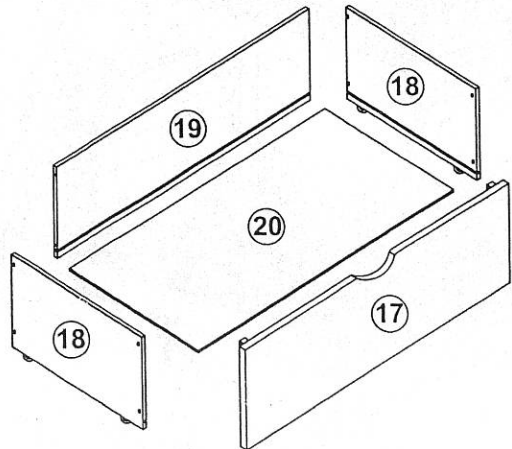
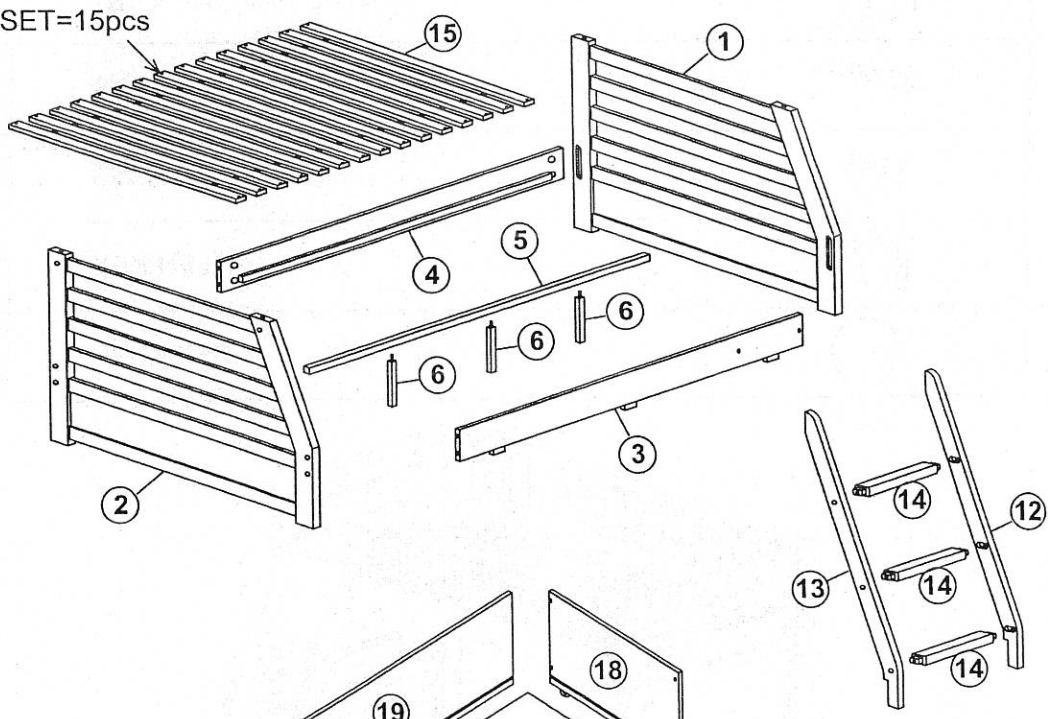


# ASSEMBLY INSTRUCTIONS TRIPLE BUNK BED WITH 2 DRAWER

1 SET=15pcs

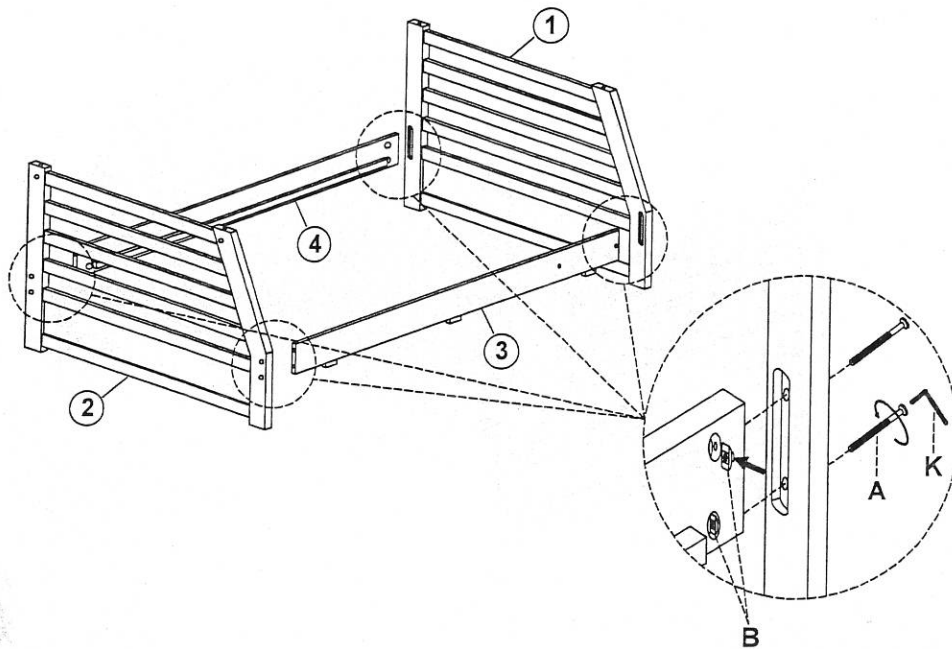


1 SET=15pcs

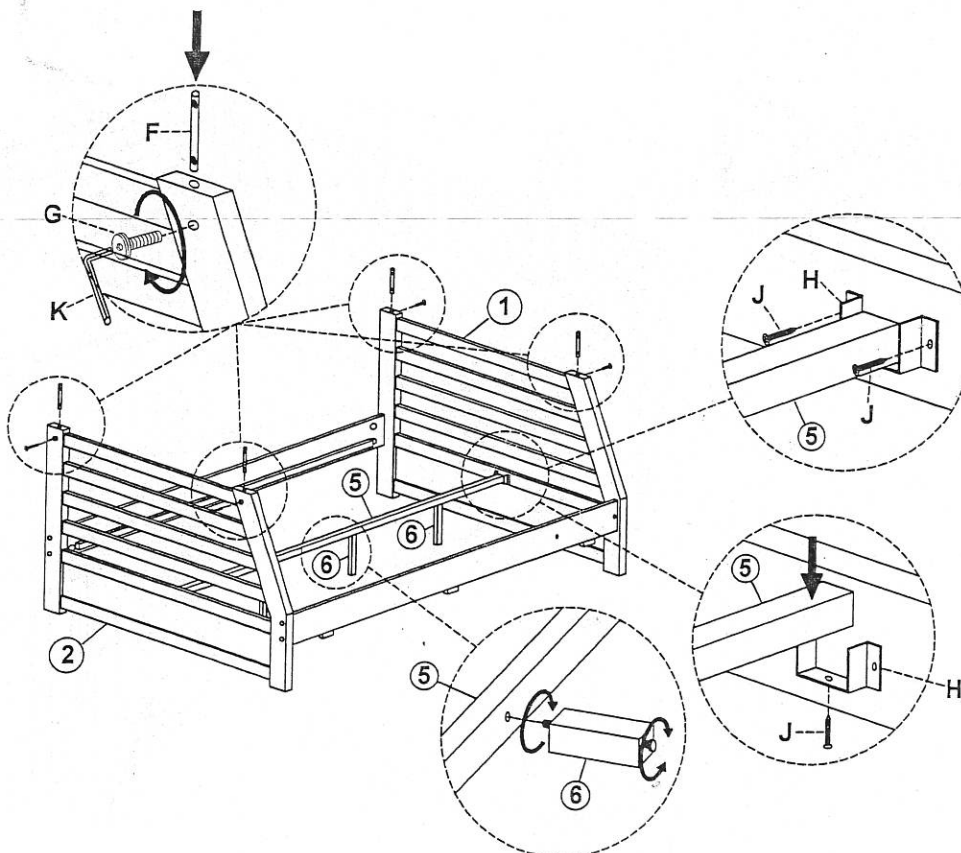


# ASSEMBLY INSTRUCTIONS

## TRIPLE BUNK BED WITH 2 DRAWER



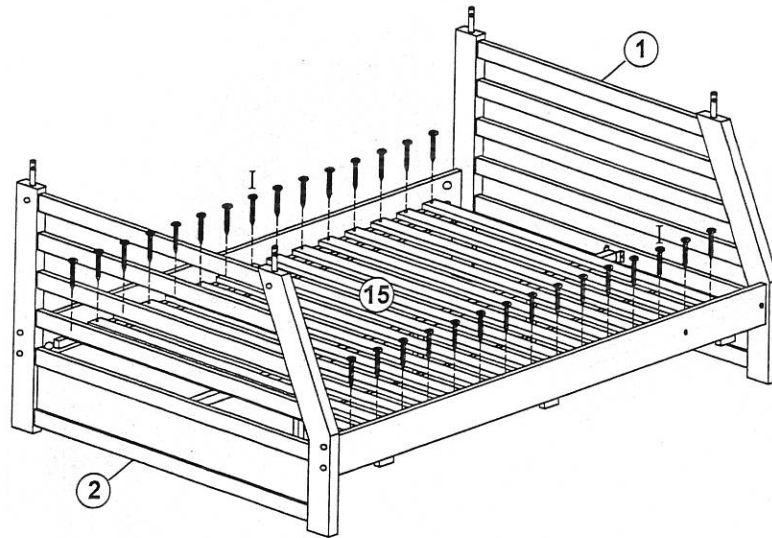
STEP 1



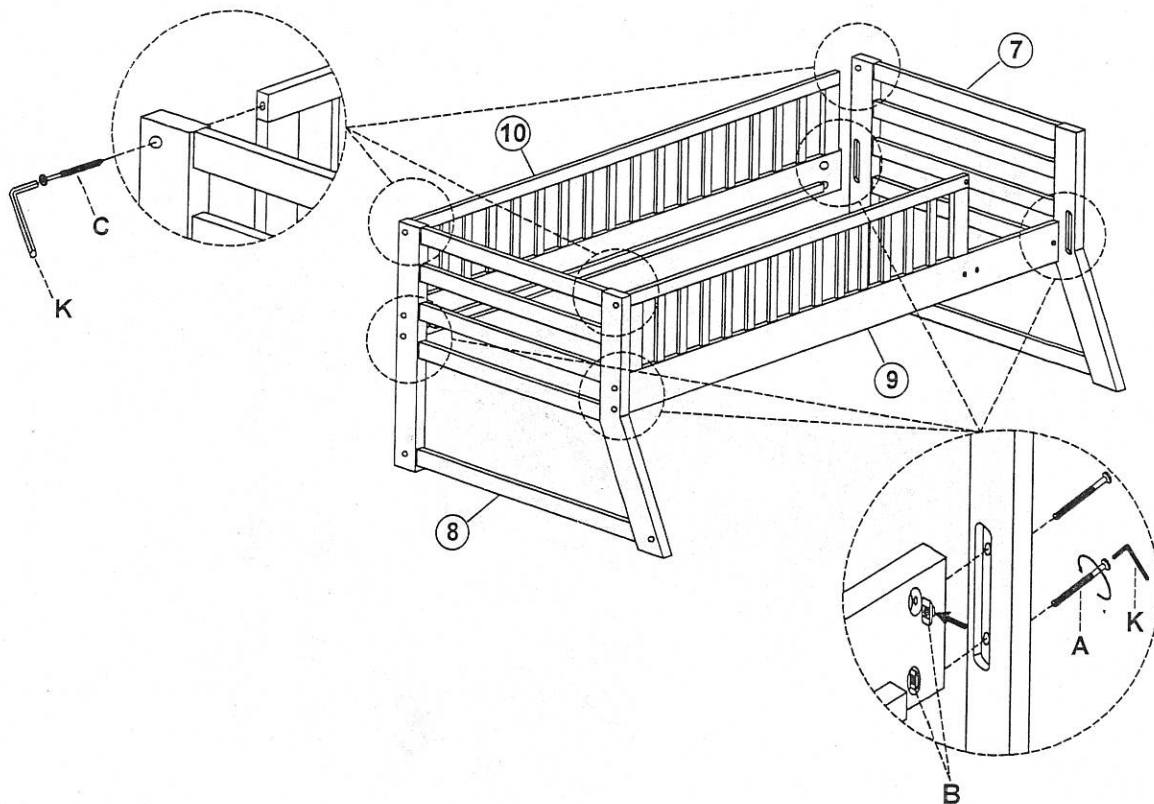
STEP 2

# ASSEMBLY INSTRUCTIONS

## TRIPLE BUNK BED WITH 2 DRAWER

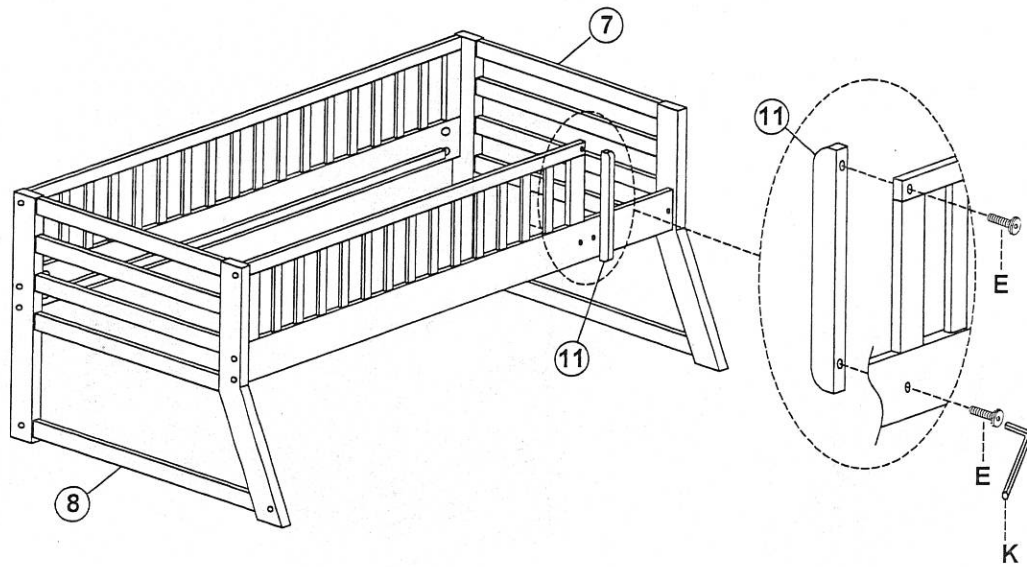


STEP 3

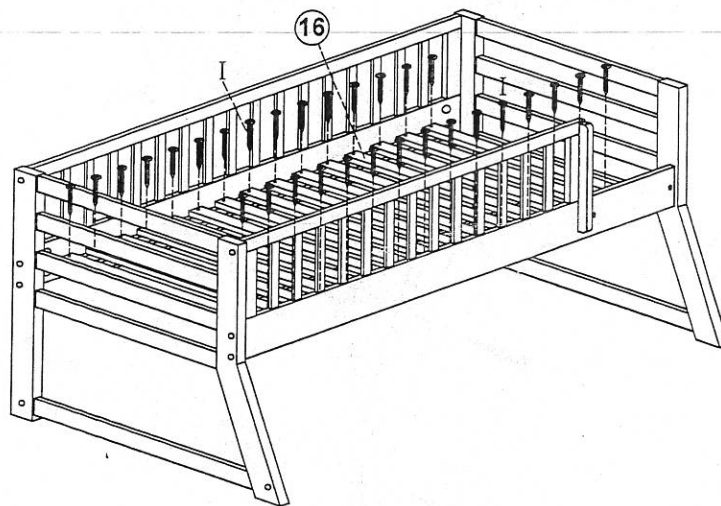


STEP 4

# ASSEMBLY INSTRUCTIONS TRIPLE BUNK BED WITH 2 DRAWER

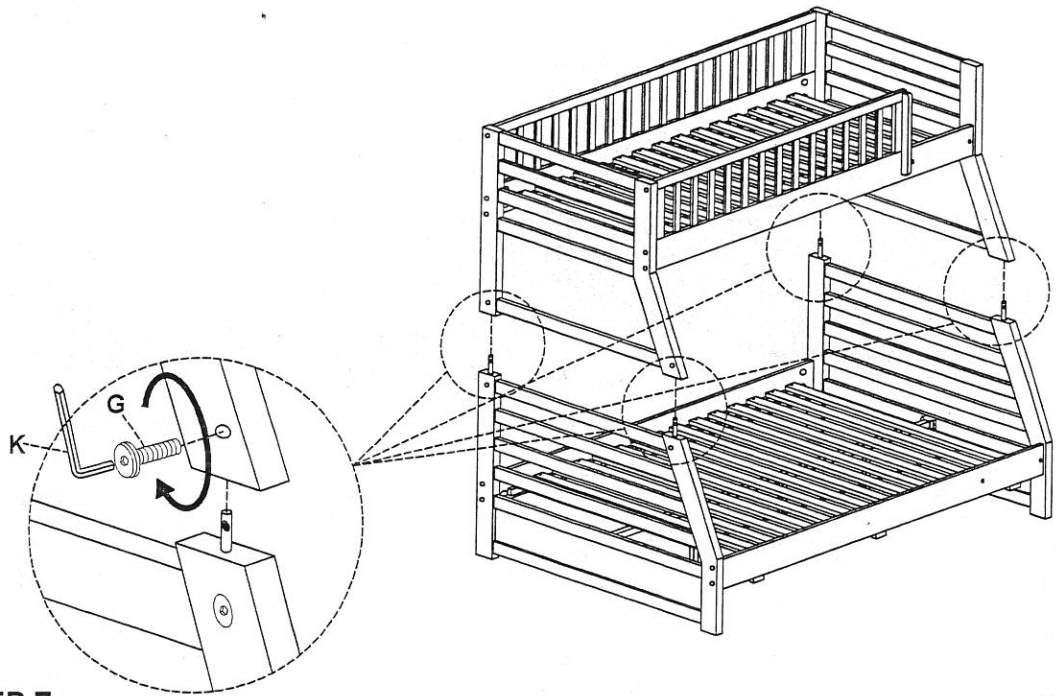


STEP 5

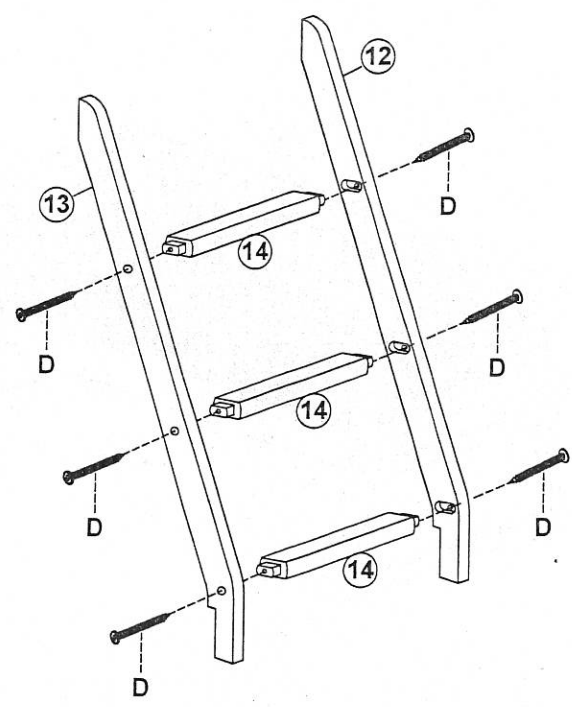


STEP 6

# ASSEMBLY INSTRUCTIONS TRIPLE BUNK BED WITH 2 DRAWER



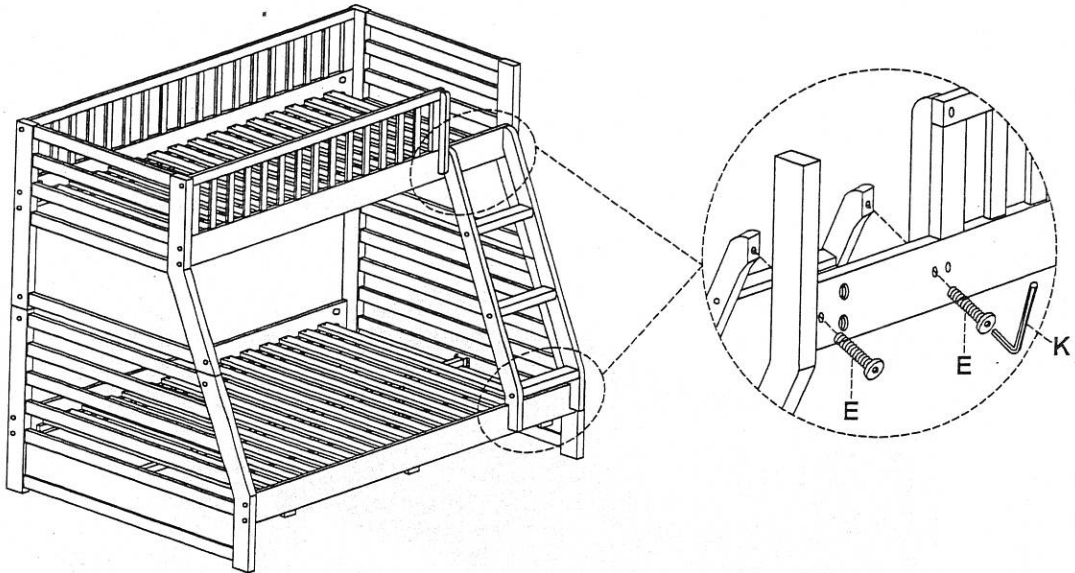
STEP 7



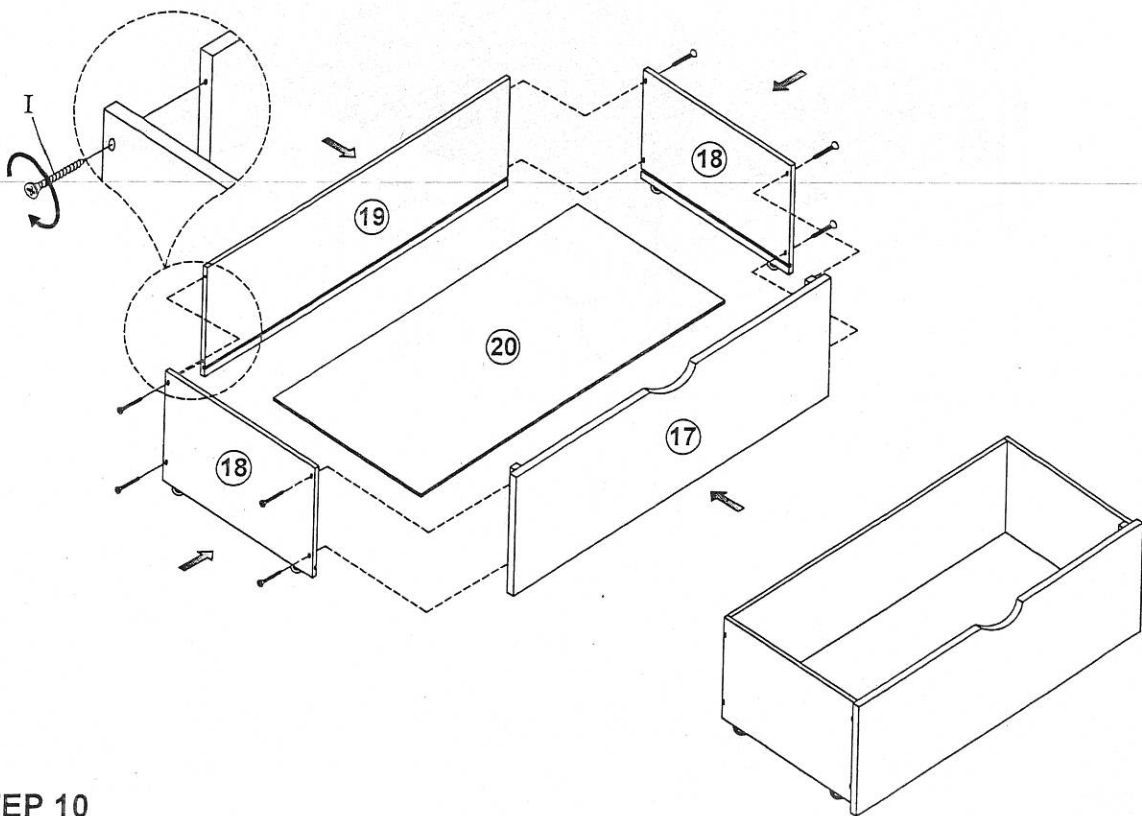
STEP 8

# ASSEMBLY INSTRUCTIONS

## TRIPLE BUNK BED WITH 2 DRAWER



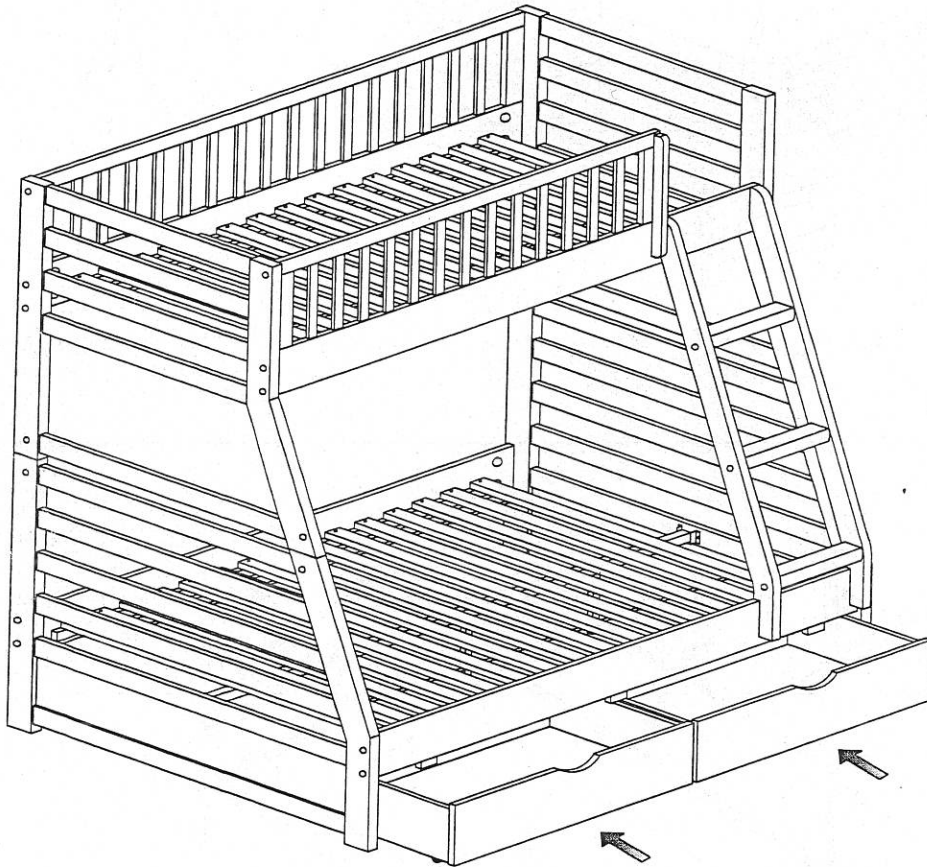
### STEP 9



### STEP 10



**ASSEMBLY INSTRUCTIONS**  
**TRIPLE BUNK BED WITH 2 DRAWER**

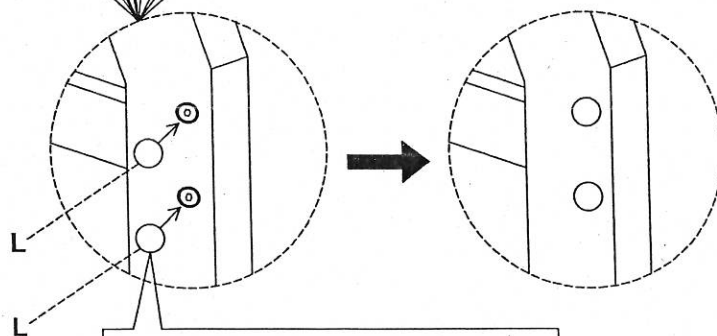
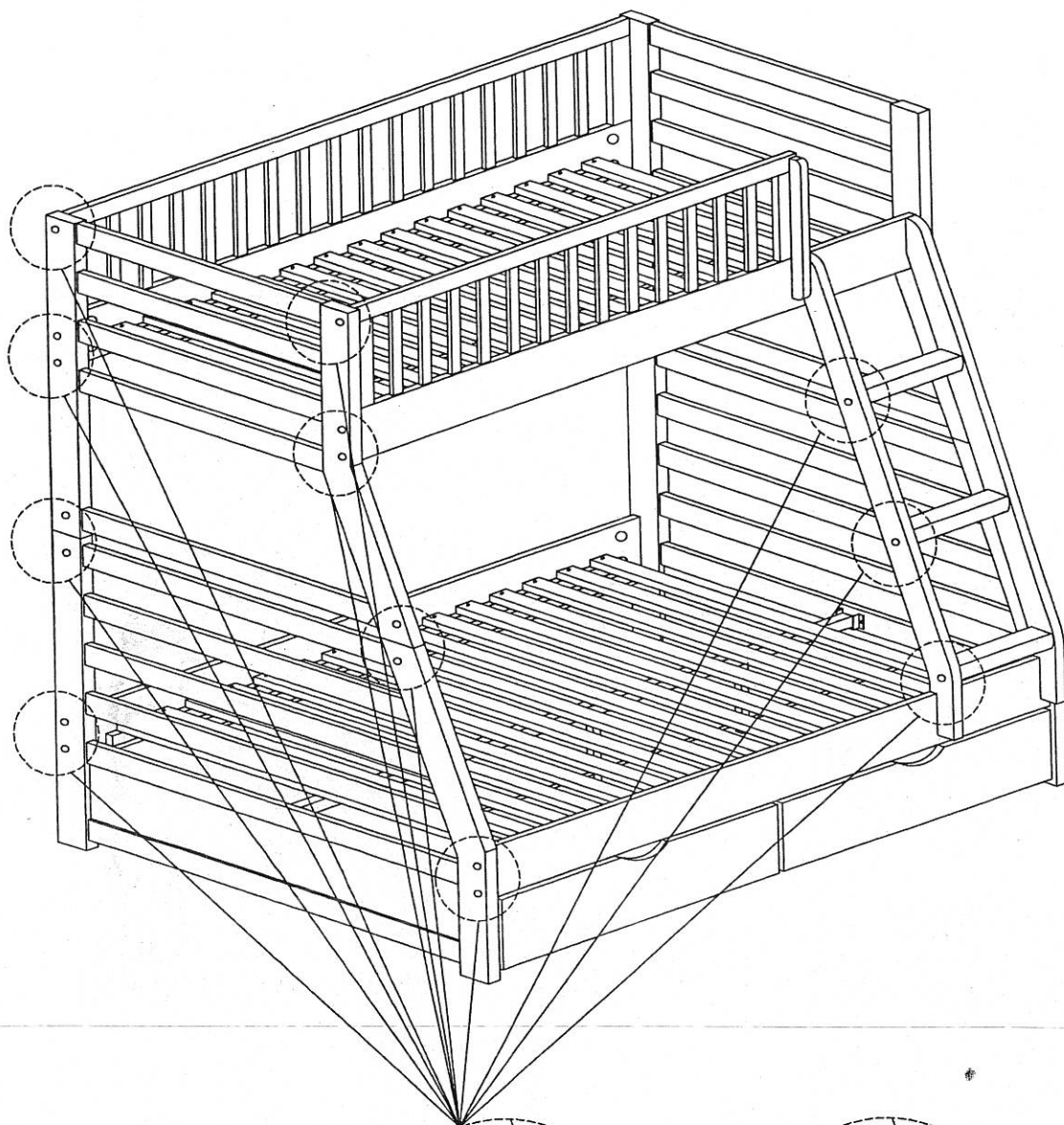


**STEP 11**



# ASSEMBLY INSTRUCTIONS

## TRIPLE BUNK BED WITH 2 DRAWER



Stickers to be pasted for both ends to cover up the predrill-holes.

STEP 12