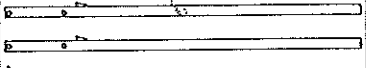

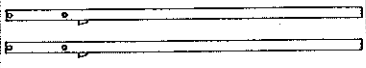

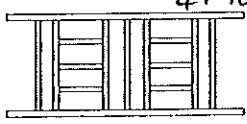

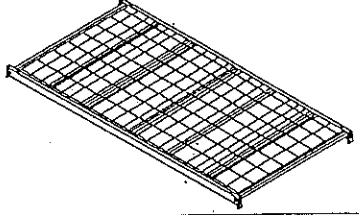





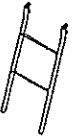









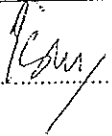
# Razzle Mid Sleeper - Assembly Instruction

## Important

- 1- Because of the size of this unit we recommend that it is built in the room intend for use and that it is built by two people.
  - 2- Please note top bunk bed is not recommended for children under six years old.
1. We suggest you spend a short time reading through this instruction and follow the sample step by step instruction.
  2. Do not discard any of the packaging until you have checked that you have all the part and pack of fittings.
  3. Assemble this product on a flat surface.
  4. Assemble all parts loosely before tightening any bolts. Overtightening bolts or screws could damage this product or fitting.

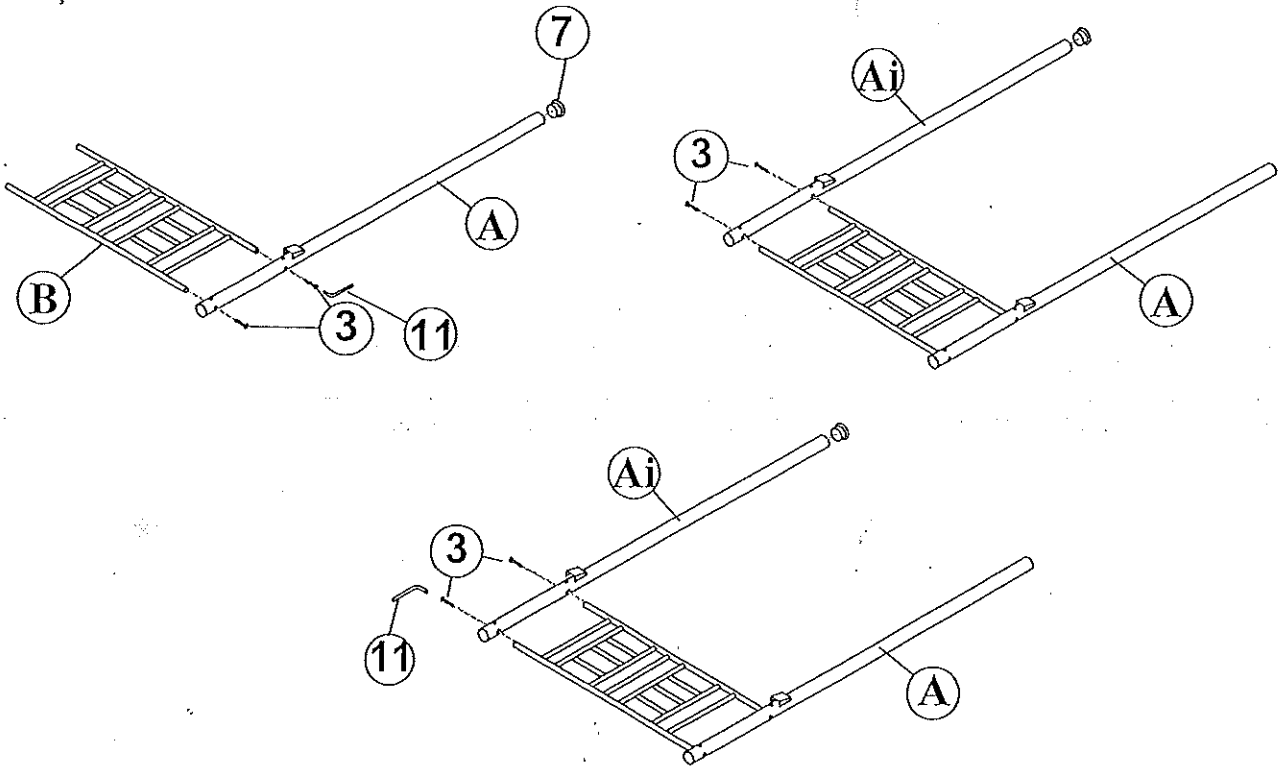
## Component parts and fittings contained in the box

Ref.	Description	Illustration	Qty.	Ref.	Description	Illustration	Qty.
A	Headboard & Footboard Post(L)		2	1	Bolt M8 x 95mm		4
Al	Headboard & Footboard Post(R)		2	2	Bolt M6 x 80mm		7
B	Headboard & Footboard panel		2	3	Bolt M6 x 20mm		8
C	Metal Slat		1	4	Bolt M6 x 50mm		1
D	Long safety rail		1	5	Square Nut		4
E	Short safety rail		1	6	Jcn (NUT)		1
F	Ladder		1	7	Plastic Stopper Ø50		4
G	Side Rail Curtain		3	8	Plastic Stopper Ø25		4
H	Headboard/footboard Curtain		2	9	Spare Button (PC4)		5
				10	Allen Key M5		1
				11	Allen Key M4		1

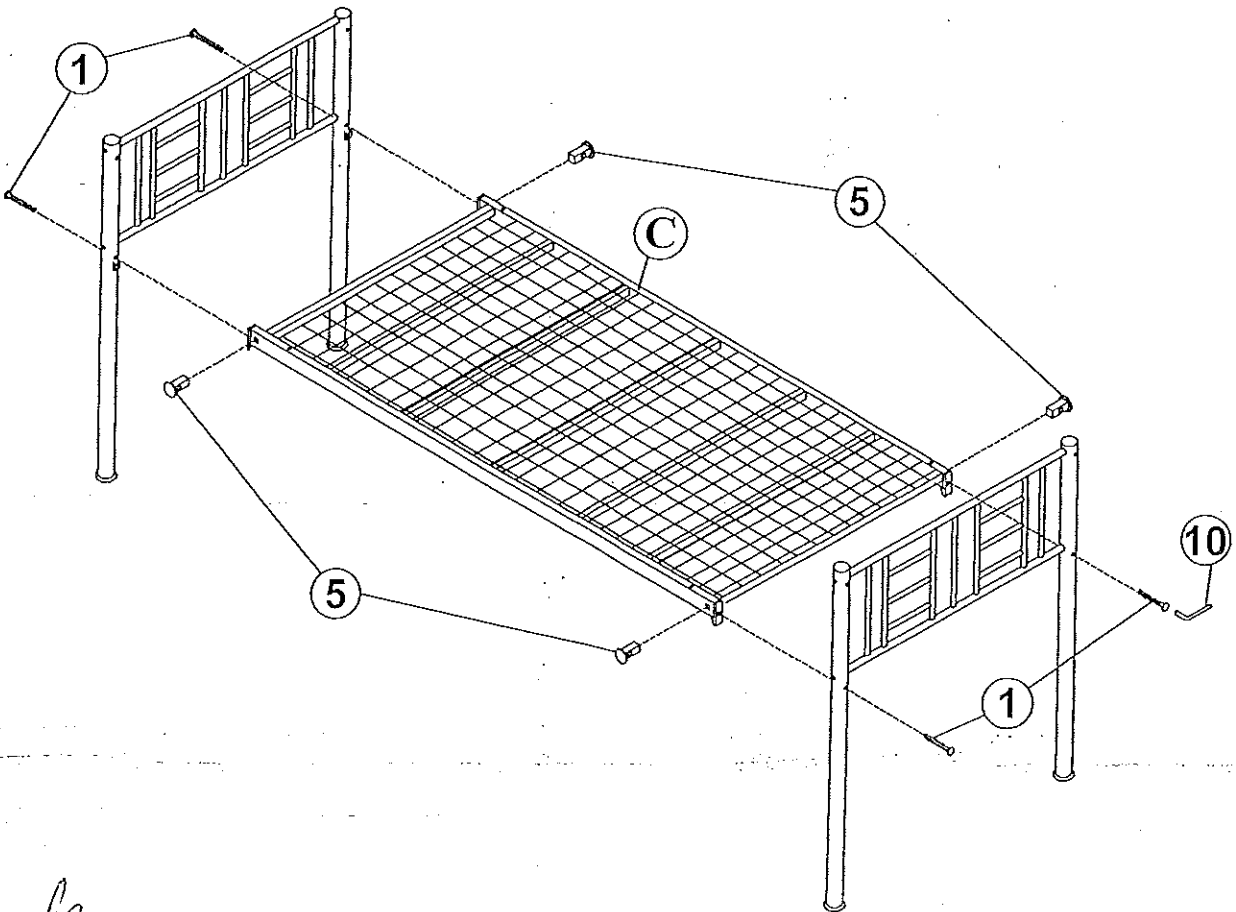
Approved by : 

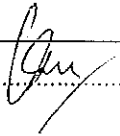
# Razzle Mid Sleeper - Assembly Instruction

1



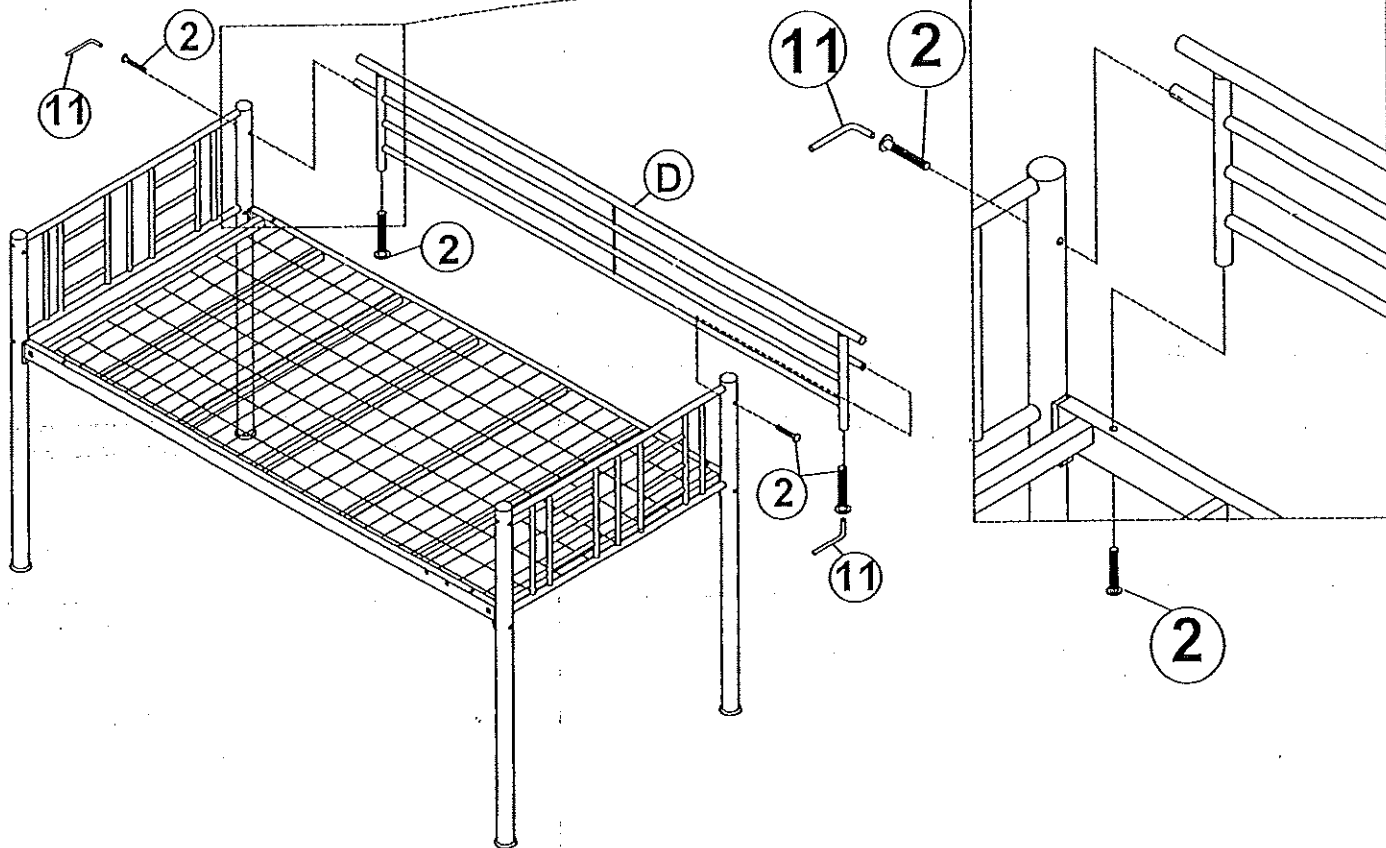
2



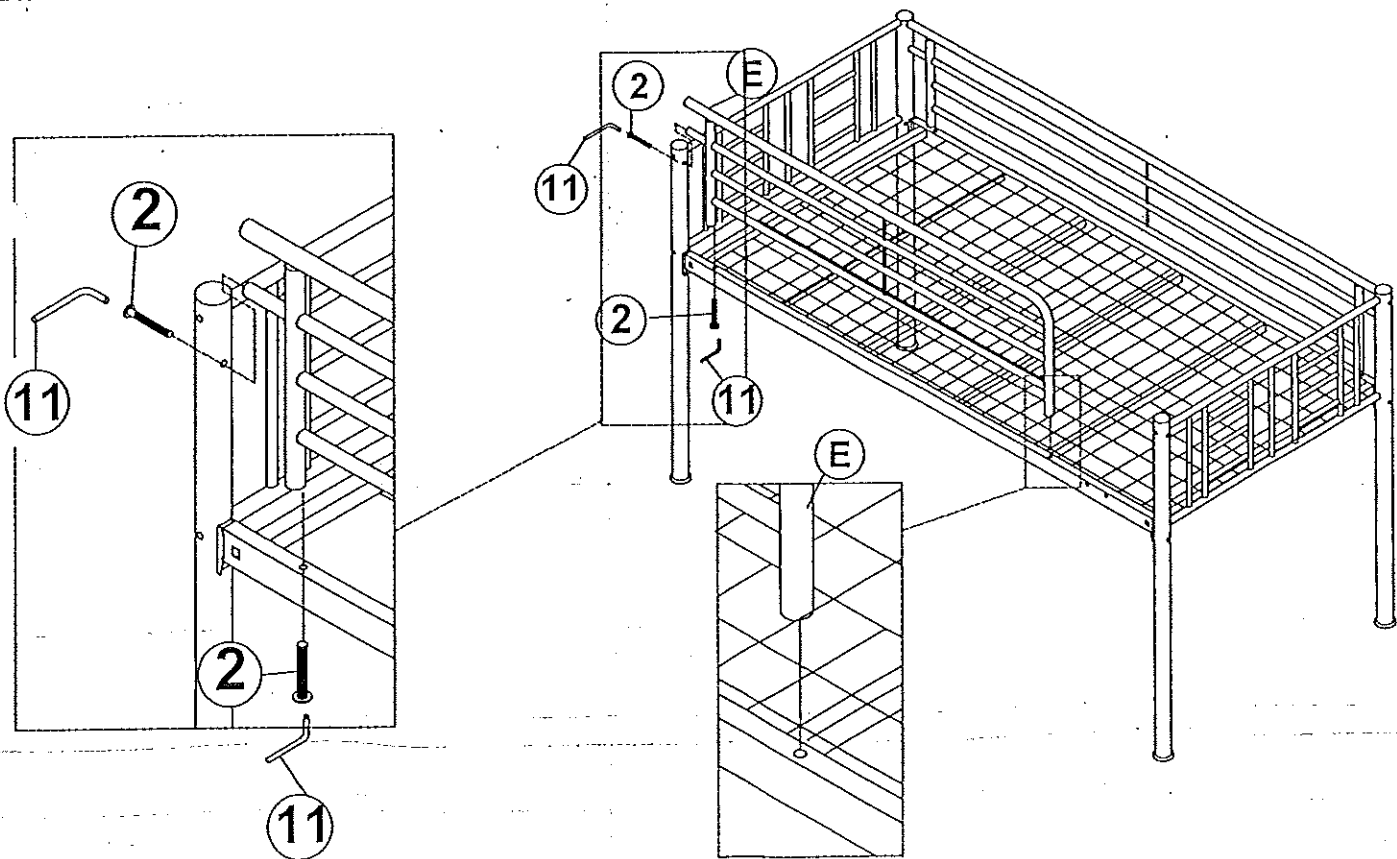
Approved by: 

# Razzle Mid Sleeper - Assembly Instruction

3



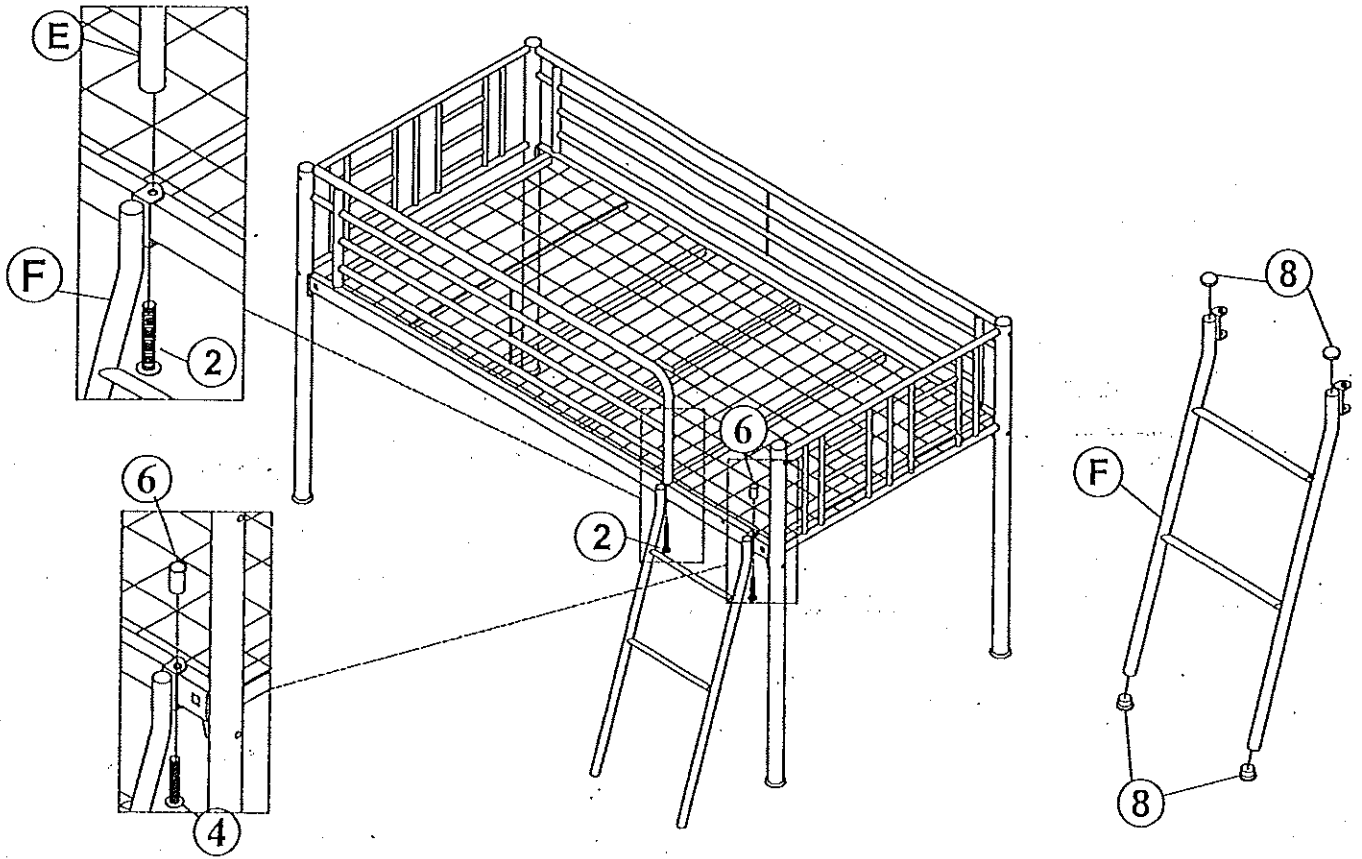
4



Approved by: *[Signature]*

# Razzle Mid Sleeper - Assembly Instruction

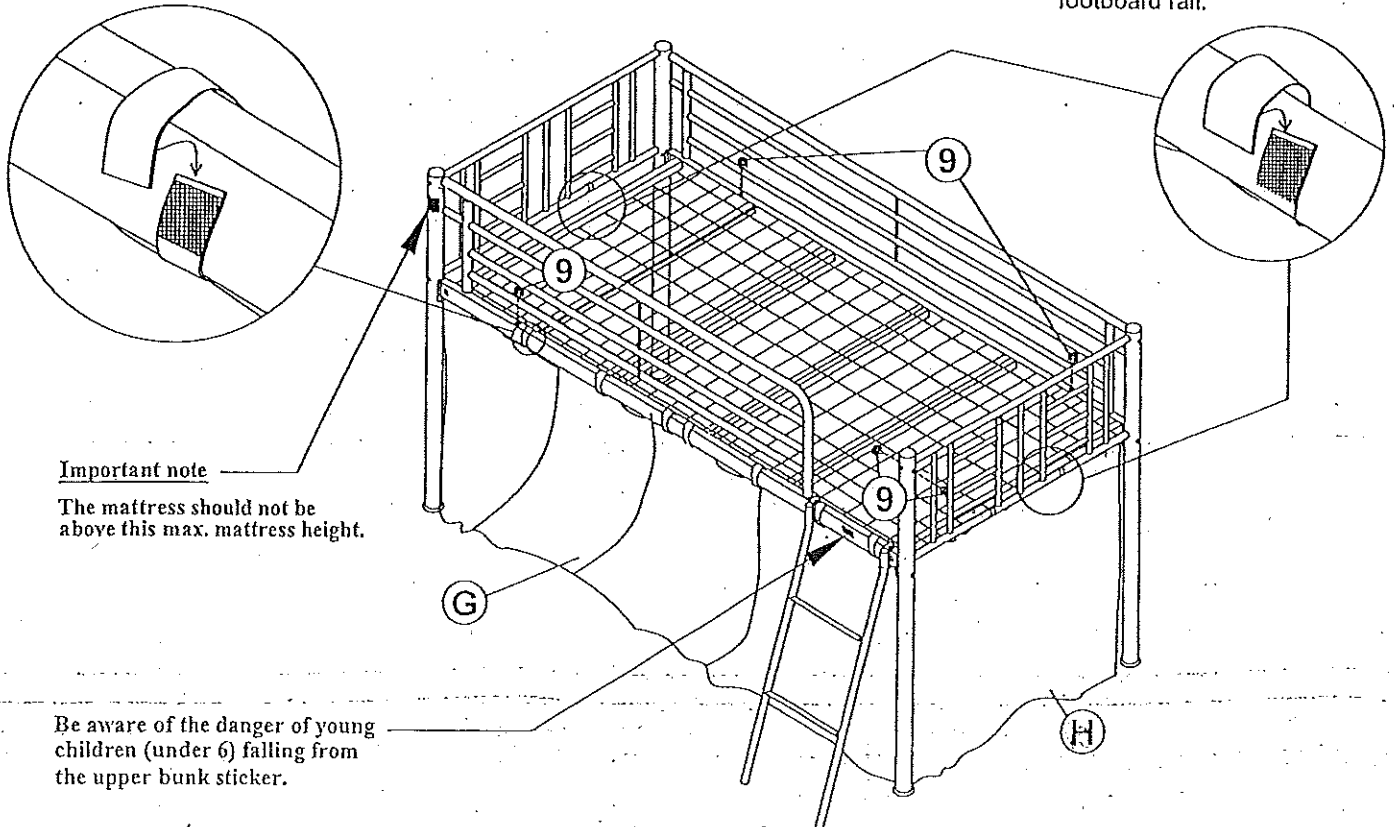
5



6

Details A :  
View from inside of side rail

Details B :  
View from inside of headboard /  
footboard rail.



**Important note**

The mattress should not be above this max. mattress height.

Be aware of the danger of young children (under 6) falling from the upper bunk sticker.

Approved by : *[Signature]*