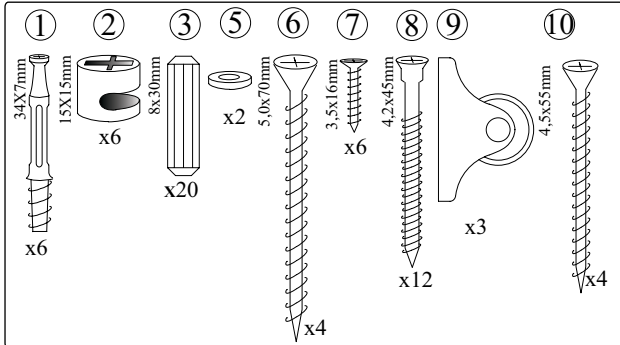
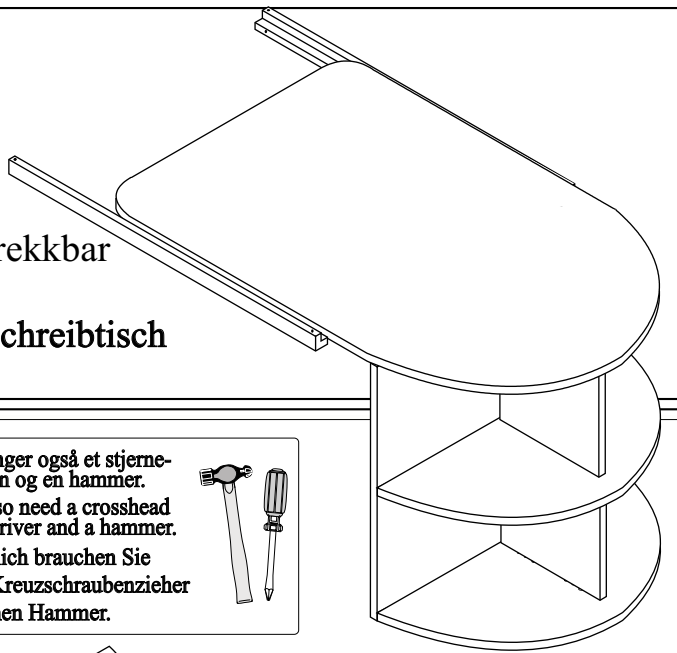


Stompa®

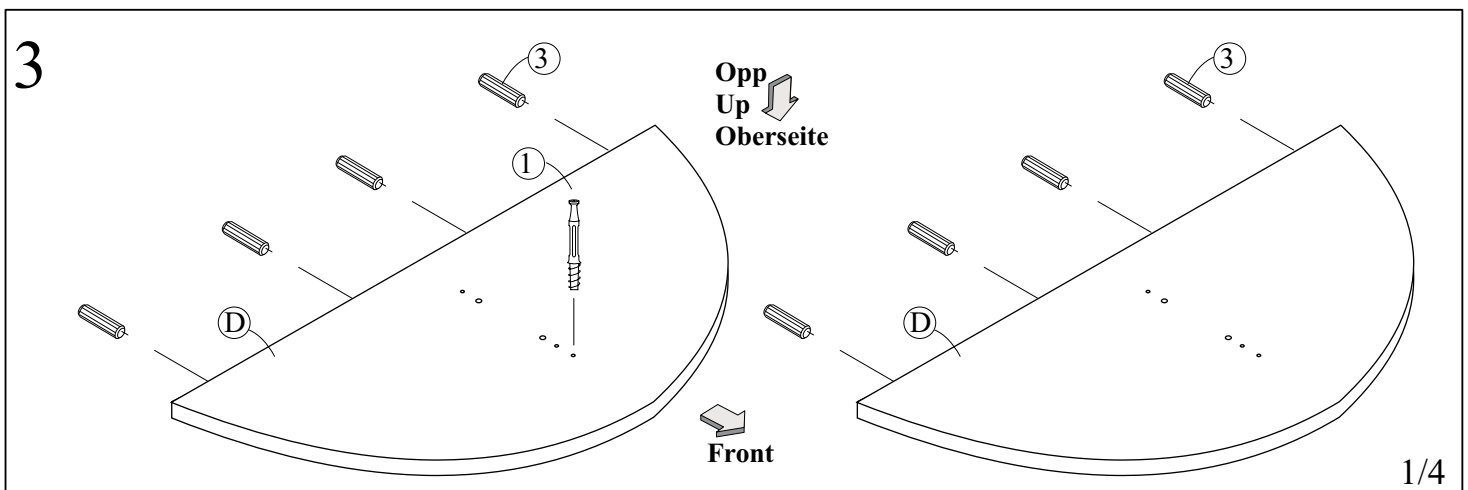
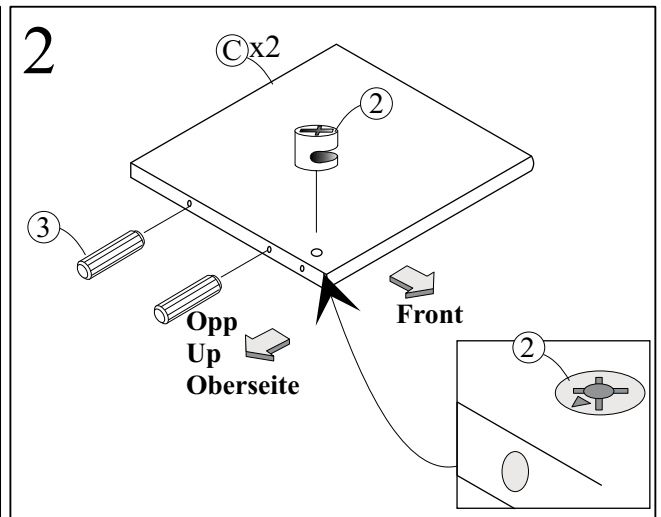
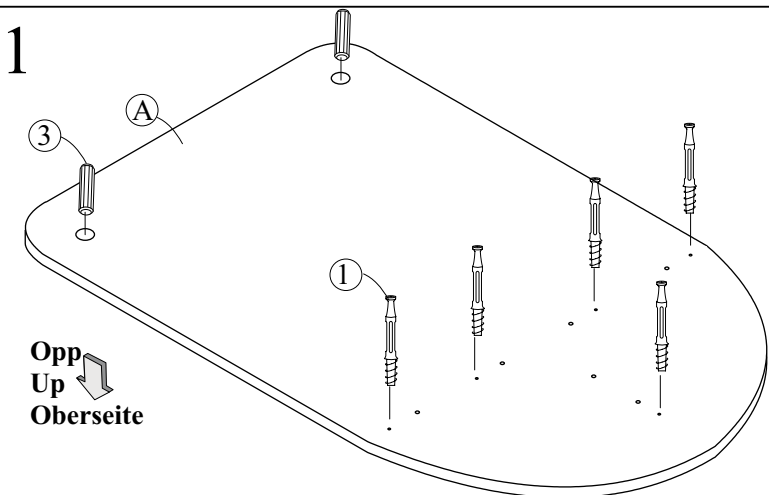
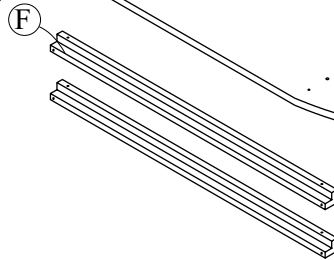
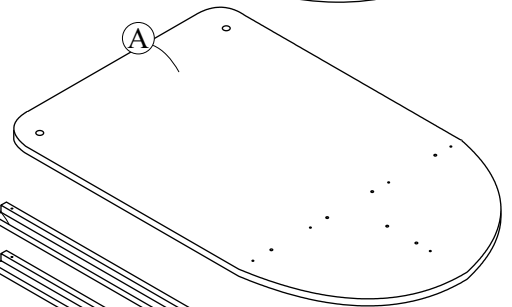
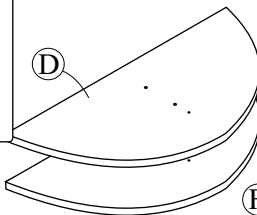
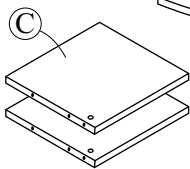
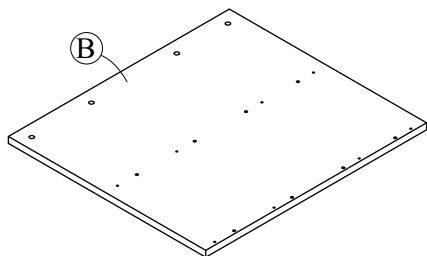
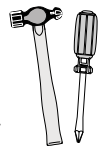
WWW.STOMPA.COM

Art.nr. A005

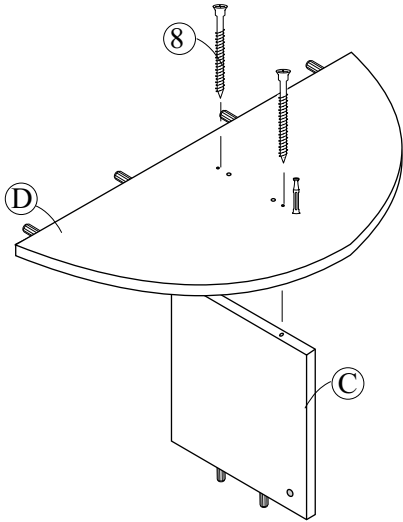
- (N) Skriveplass uttrekkbar
- (GB) Extension desk
- (D) Ausziehbares Schreibtisch



Du trenger også et stjerne-skrudrør og en hammer.
You also need a crosshead screwdriver and a hammer.
Zusätzlich brauchen Sie einen Kreuzschraubenzieher und einen Hammer.

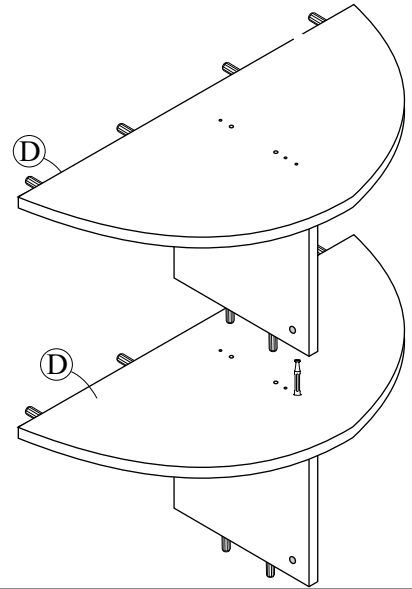


4

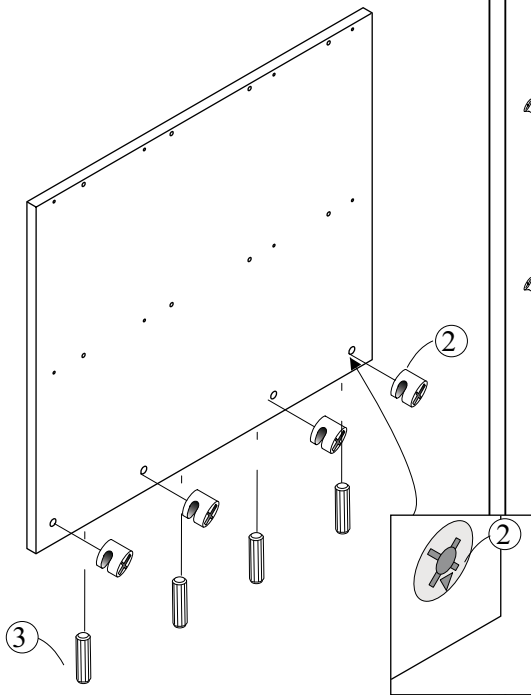


Opp
Up
Oberseite

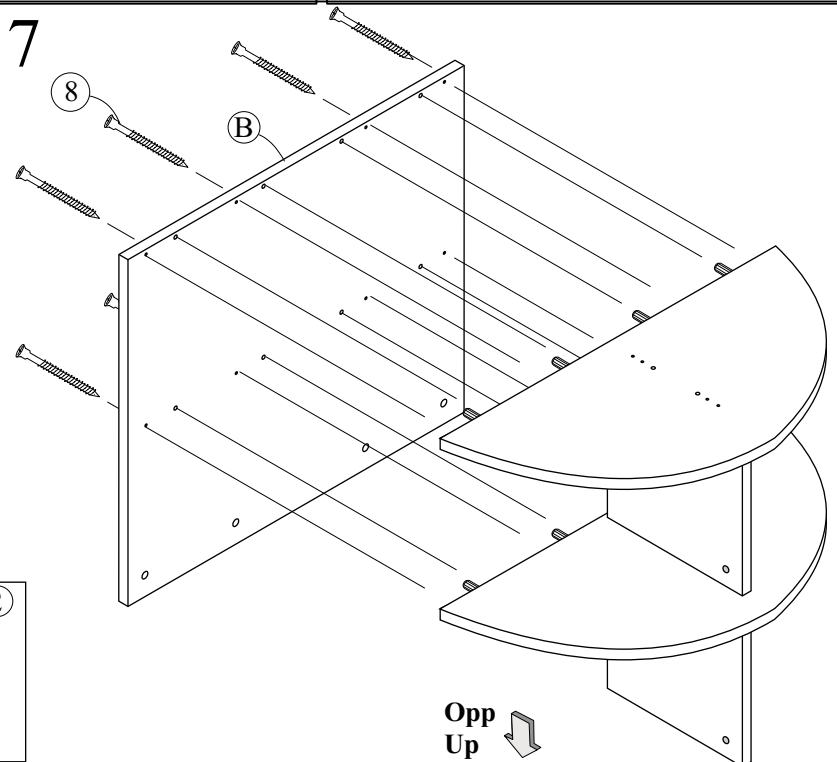
5



6

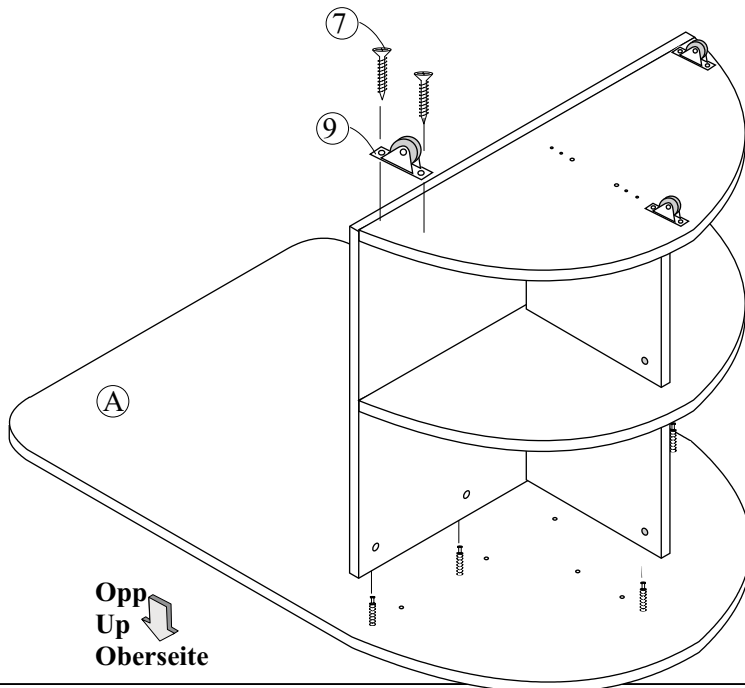


7

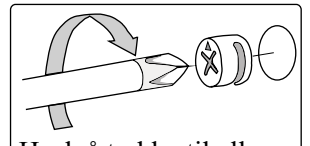


Opp
Up
Oberseite

8



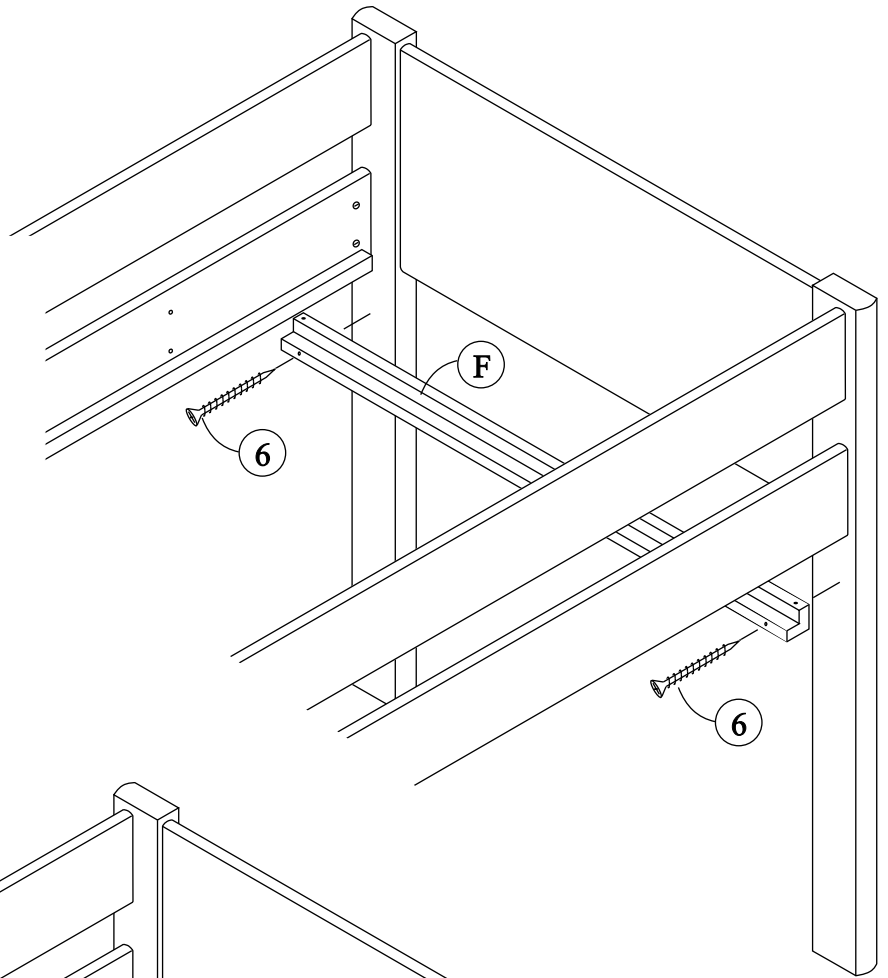
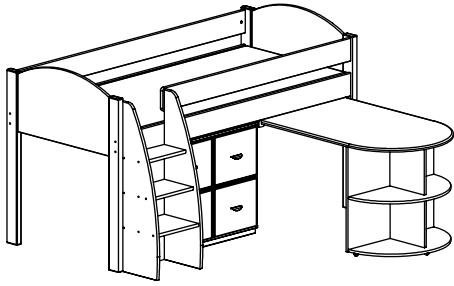
Opp
Up
Oberseite



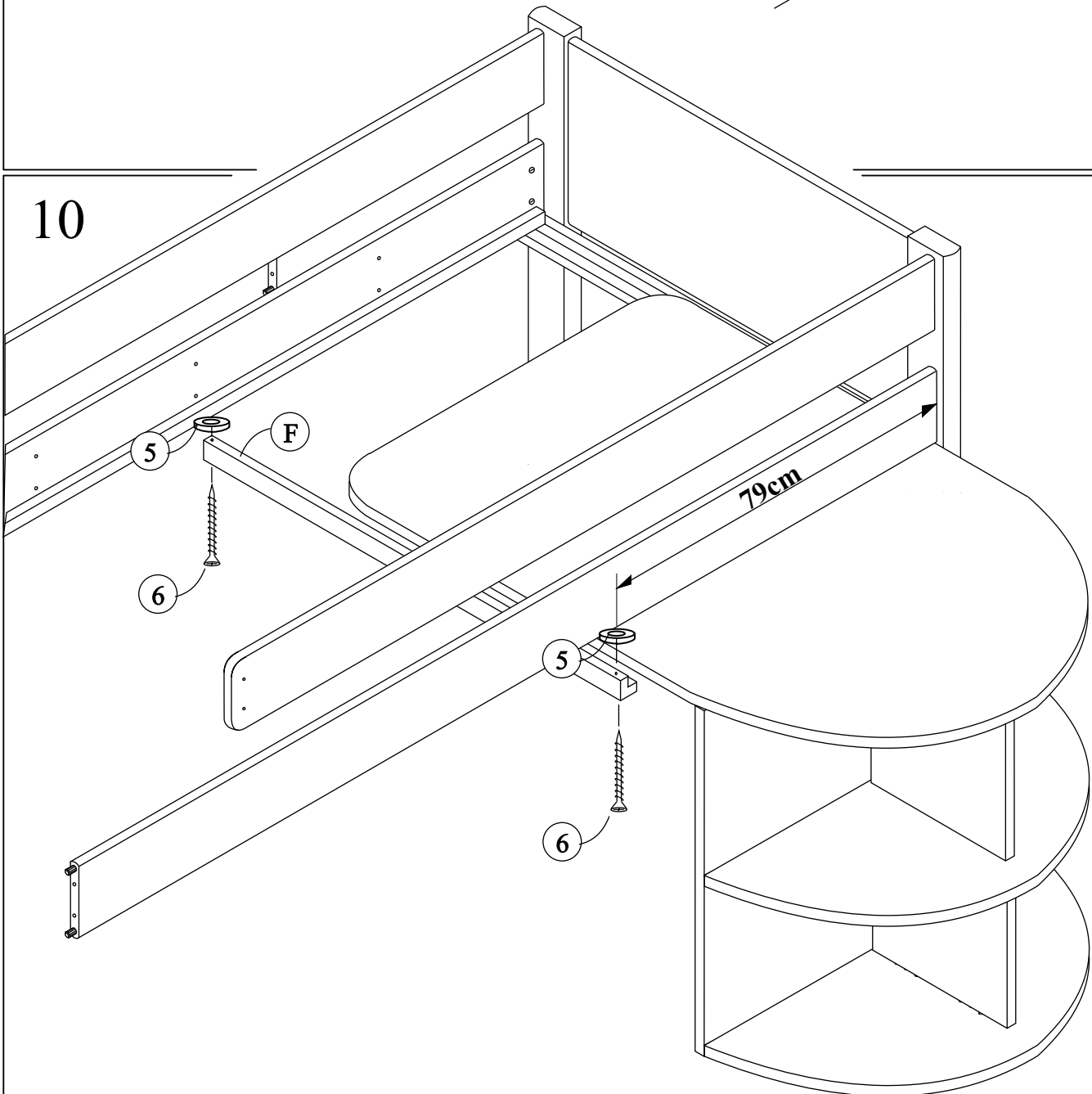
Husk å trekke til alle
eksentermutterene !
Remember to tighten
all the eccentric houses!
Nicht vergessen: Alle
Gehäuse müssen
festgezogen werden!

9

Montering til lav seng
Assembly to small bed
Montage zu niedrigem Bett

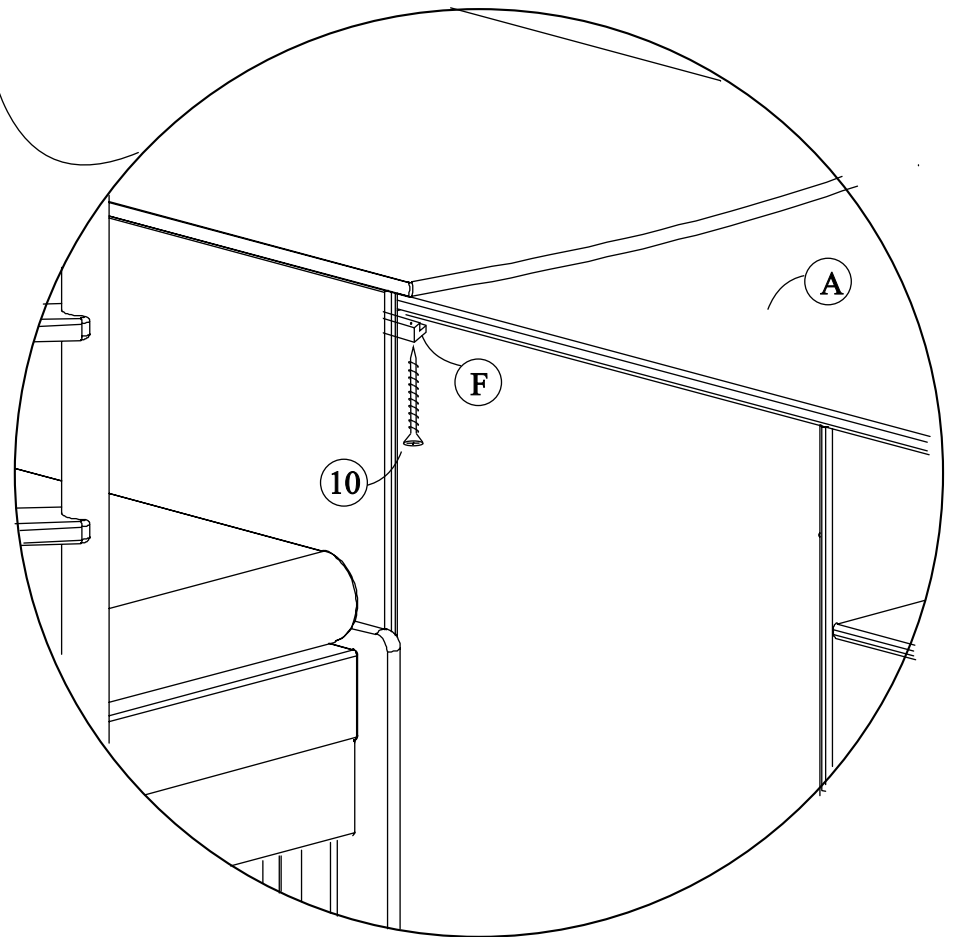
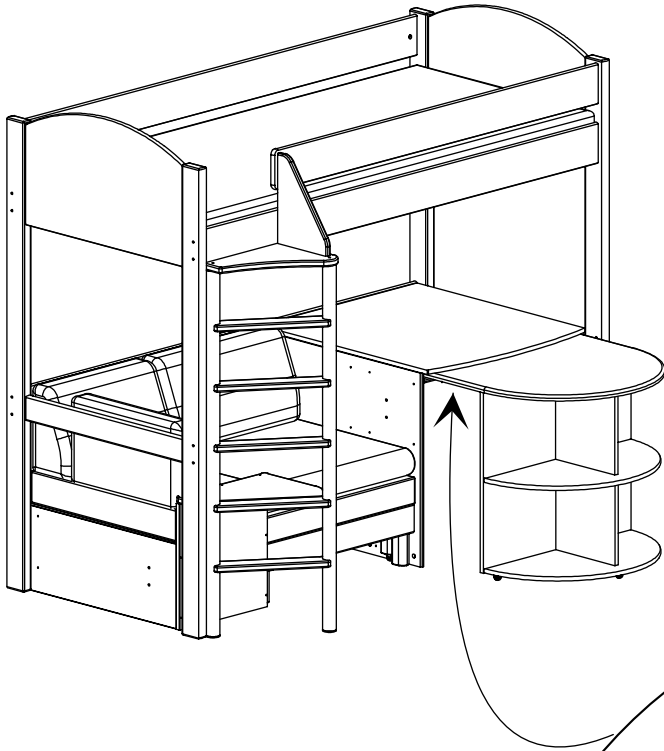


10



11

Montering til høy seng
Assembly to tall bed
Montage zu hohem Bett



United Kingdom:

If anything should fail to give satisfaction, please contact your STOMPA stockist with details of any problems with the product. Please quote Art number & serial number on any correspondence.

Stompa UK
The Old Mill House
Dockfield Road, Shipley
West Yorkshire, BD17 7AE
E-mail: stompa@stompa.co.uk
www.stompa.co.uk