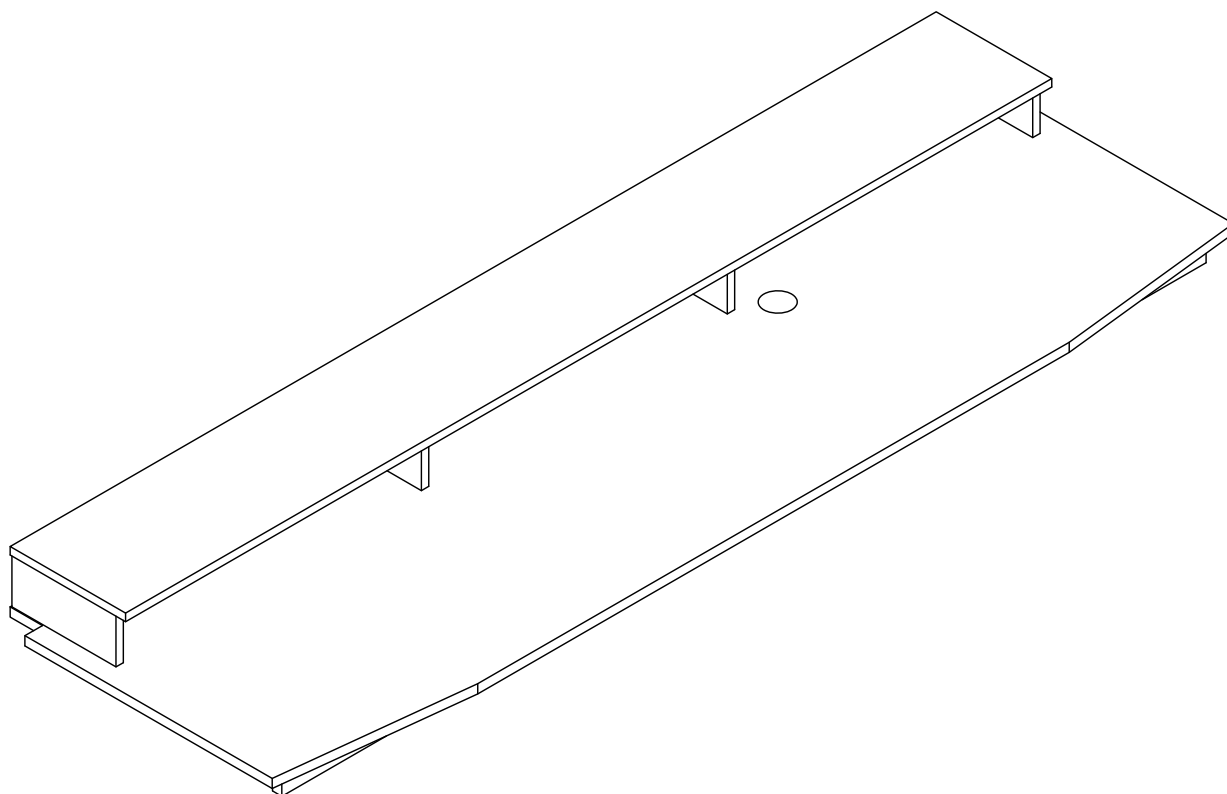




# Gaming Desk

?????????

Assembly instructions - please keep for future reference

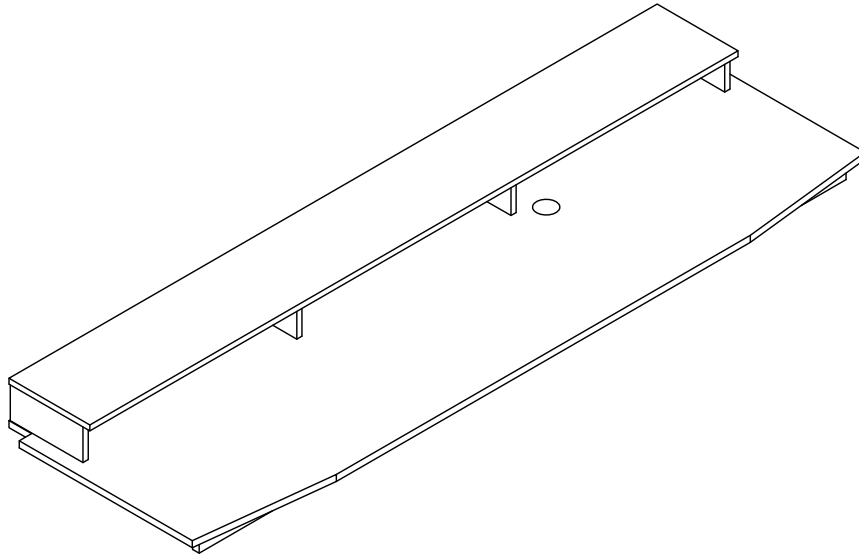


## Dimensions

Width- 208 cm  
Depth- 65 cm  
Height- 13,5 cm

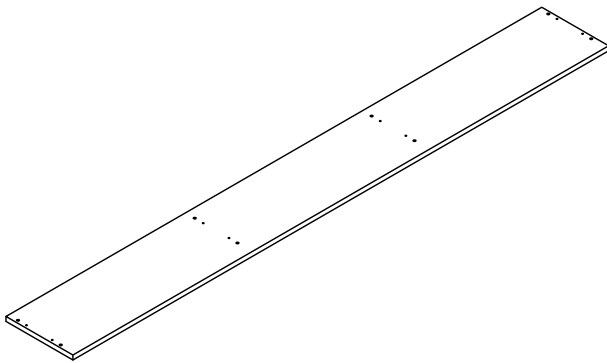
**Important-** Please read these instructions fully before starting assembly

If you need help or have damaged or missing parts, call the Customers Helpline: 03301241100  
E mail: [enquiries@bensonsforbeds.co.uk](mailto:enquiries@bensonsforbeds.co.uk)

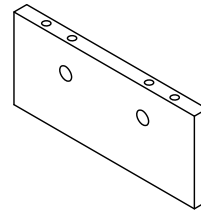


## Components- Panels

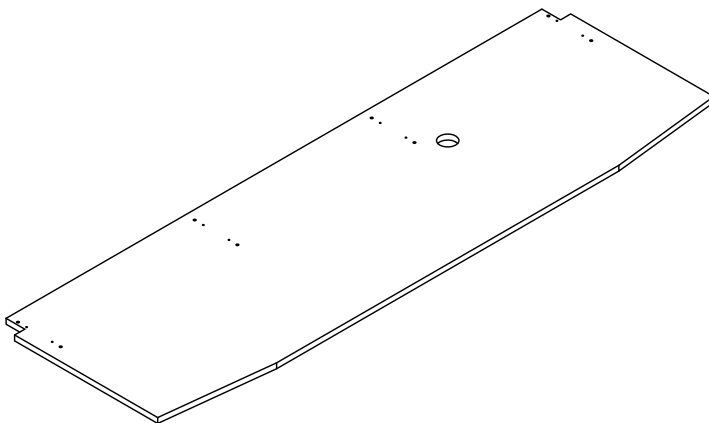
Please check that you have the panels listed below



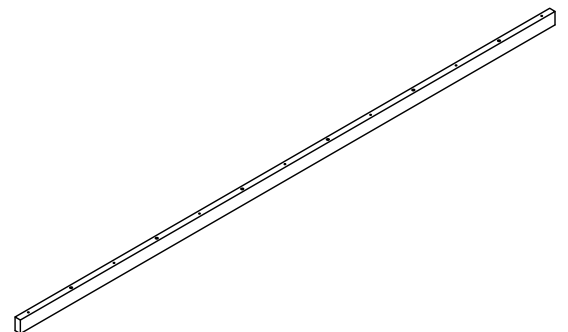
**1** Top x1  
(200,4x25x1,6 cm)



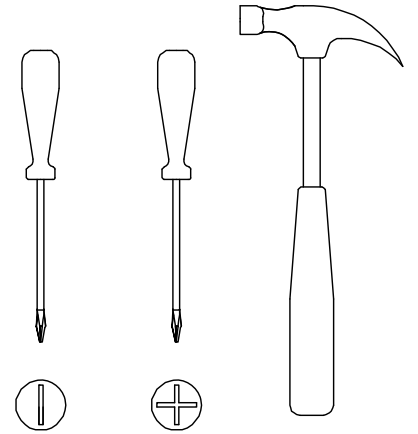
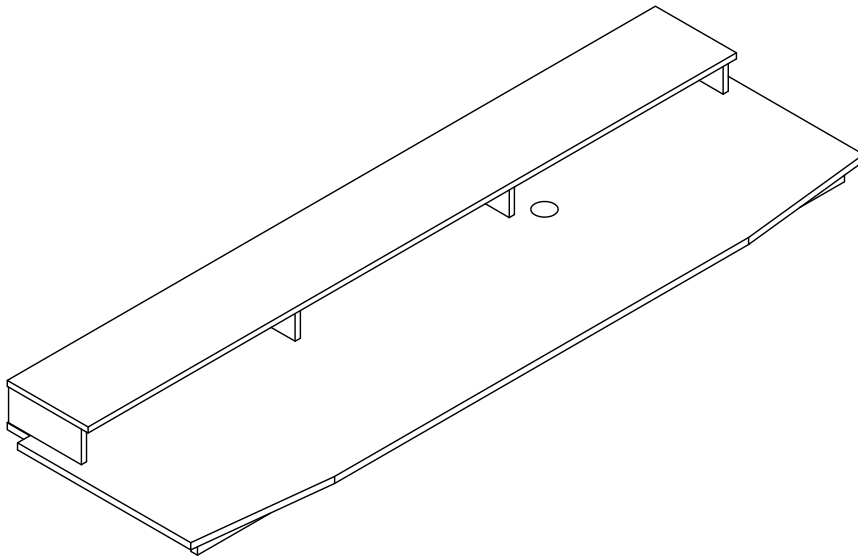
**2** Partition panel x4  
(10x22,5x1,6 cm)



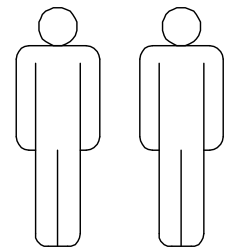
**3** Table top x1  
(208x65x1,9 cm)



**4** Support rails x1  
(200x4,4x2 cm)




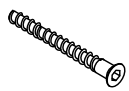


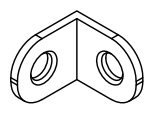



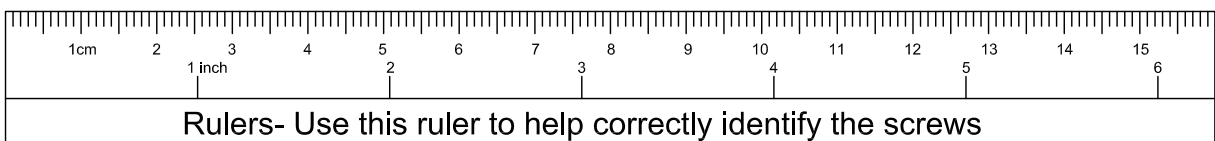
Tools that are needed



## Components- Fittings

Please check that you have the fittings listed below

 A 8x30      22x	 B 8x	 C 8x	 D 8x 5x50	 E 8x 4,5x50	 F 4x 4x15
				 G 2x	 H 1x

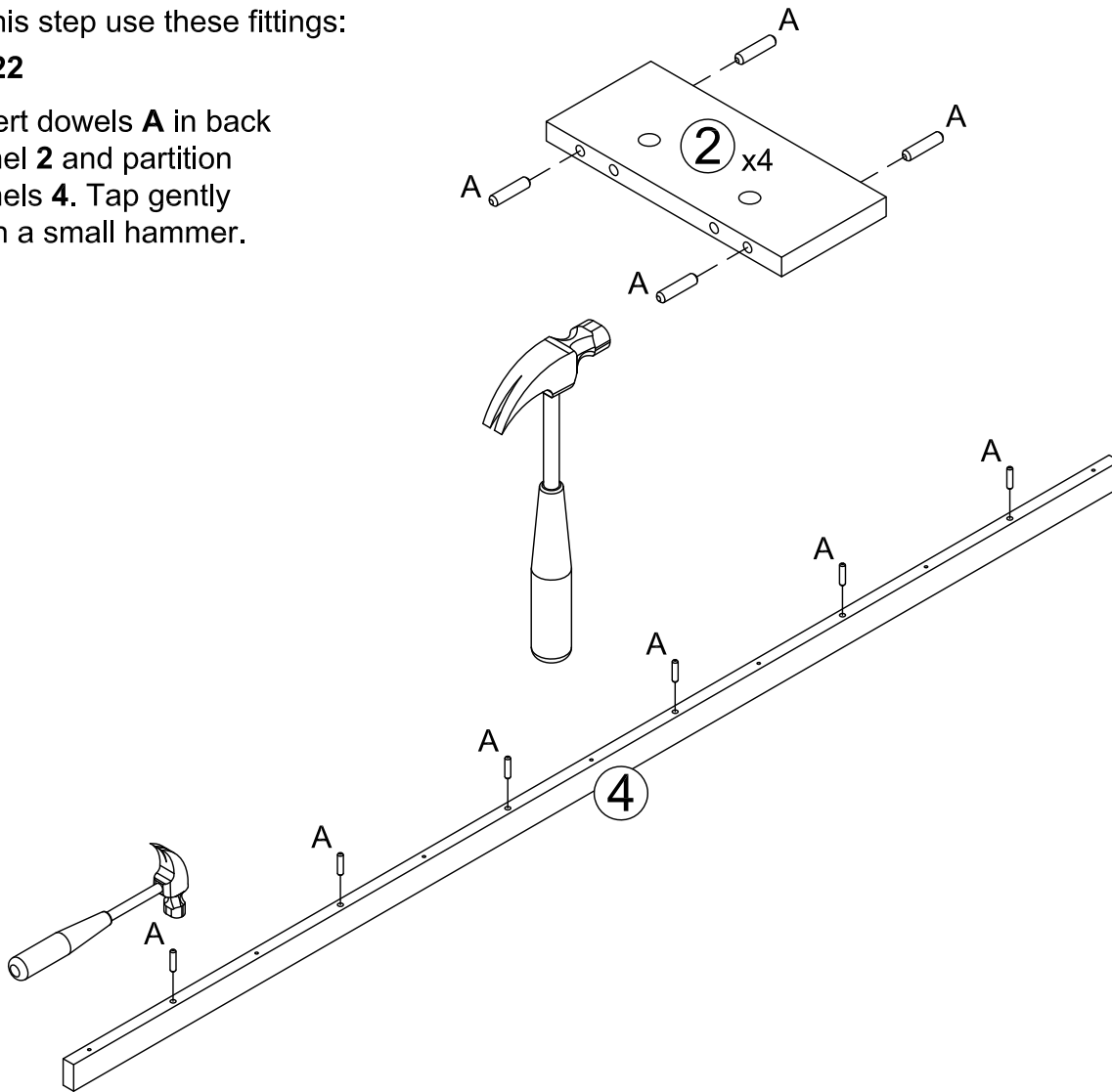


# Step 1

In this step use these fittings:

**Ax22**

Insert dowels **A** in back panel **2** and partition panels **4**. Tap gently with a small hammer.

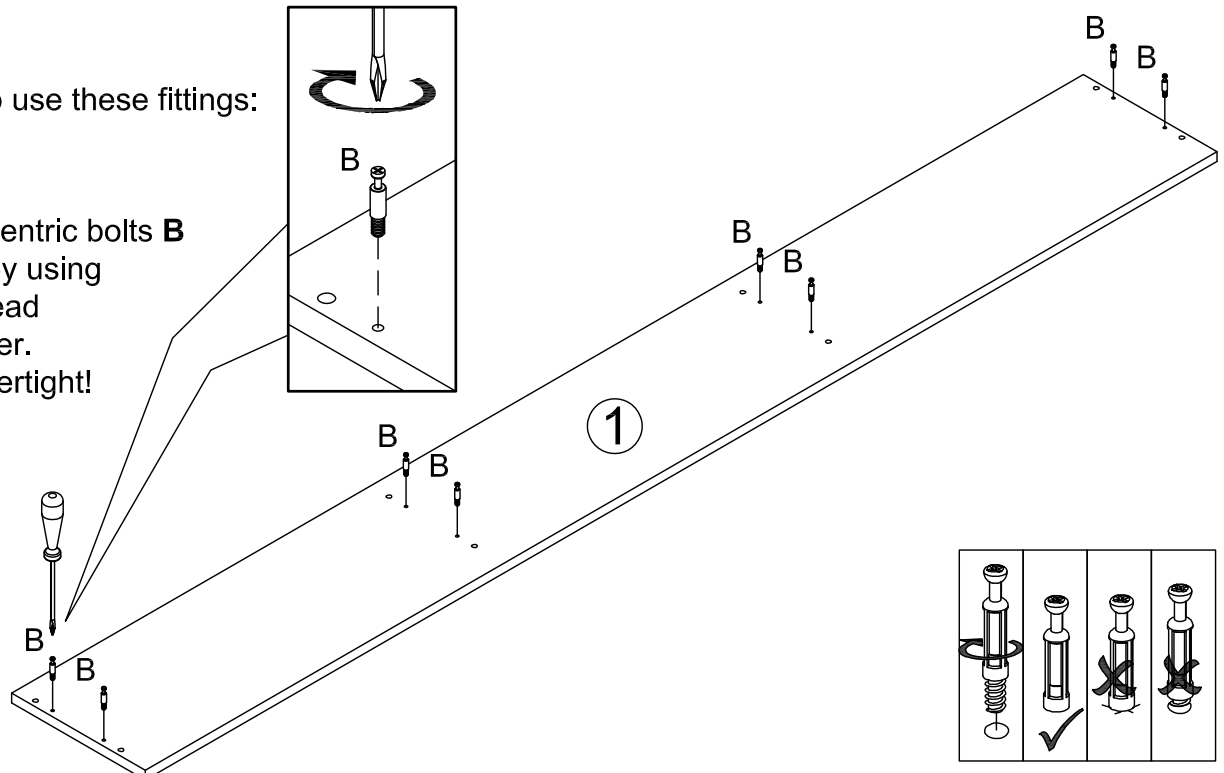


# Step 2

In this step use these fittings:

**Bx8**

Place eccentric bolts **B** in Top **1** by using Phillips head screwdriver. Do not overtight!



# Step 3

In this step use these fittings:

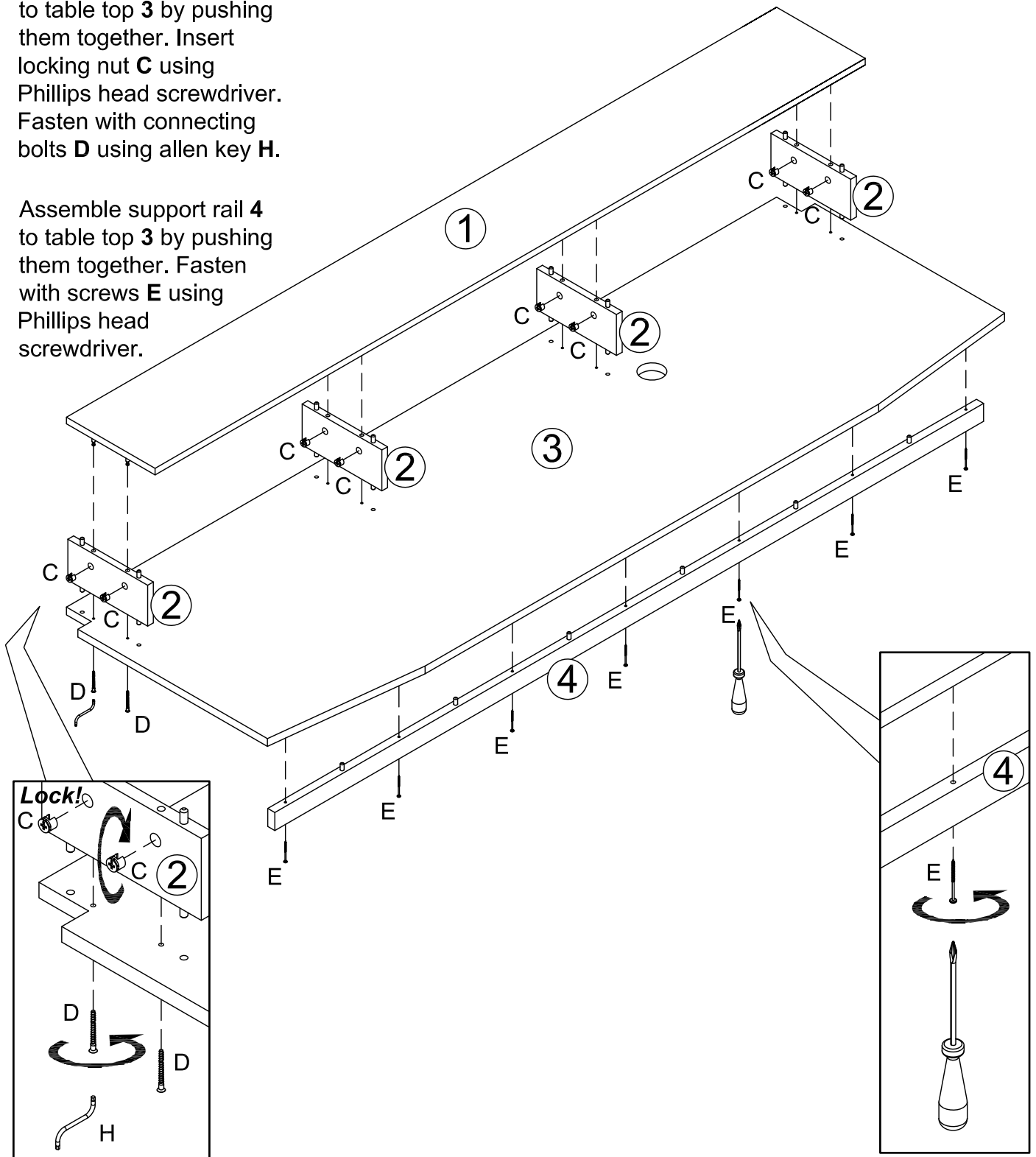
**Cx8**

**Dx8**

**Ex7**

Assemble partition panel **2** to table top **3** by pushing them together. Insert locking nut **C** using Phillips head screwdriver. Fasten with connecting bolts **D** using allen key **H**.

Assemble support rail **4** to table top **3** by pushing them together. Fasten with screws **E** using Phillips head screwdriver.



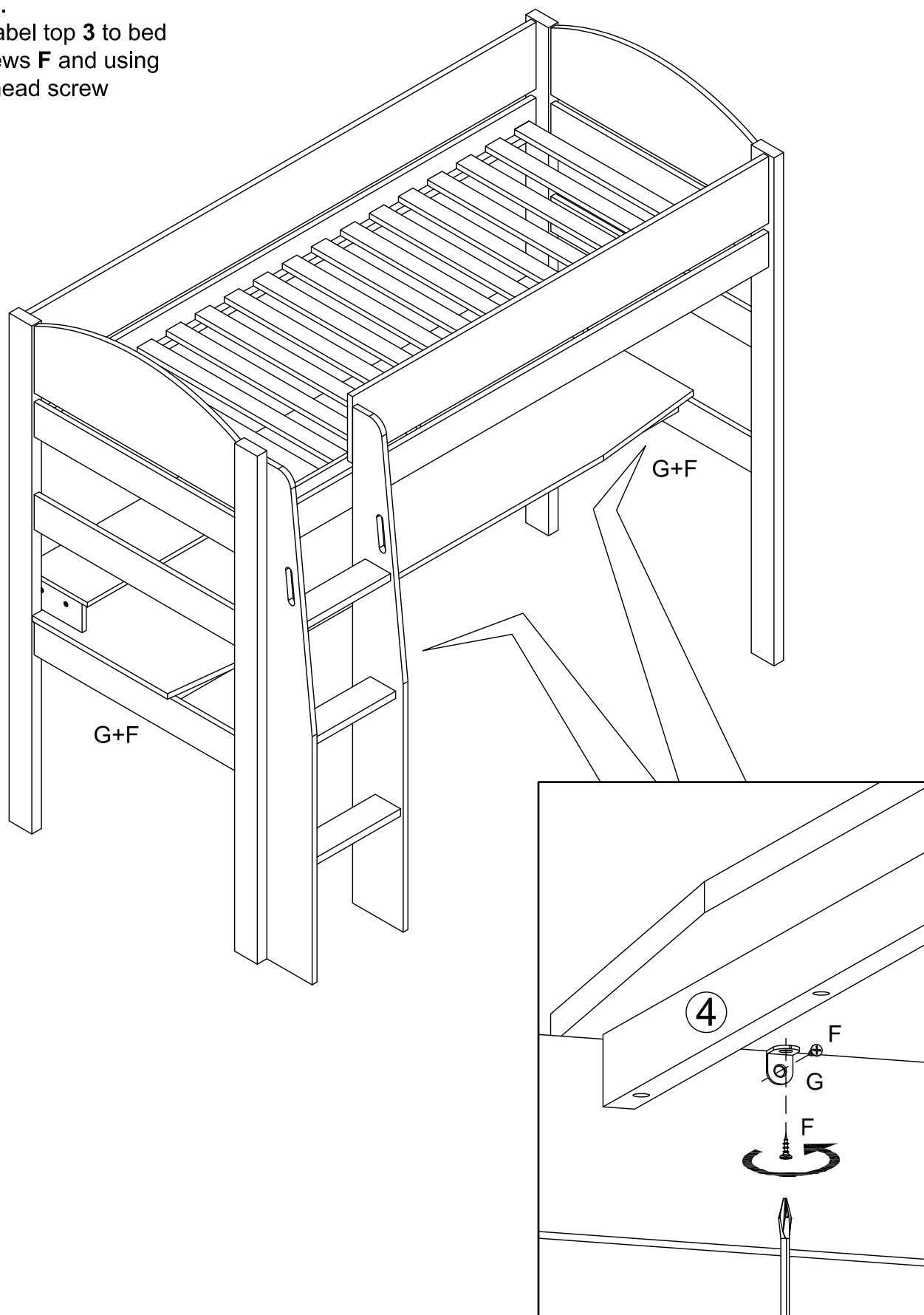
# Step 4

In this step use these fittings:

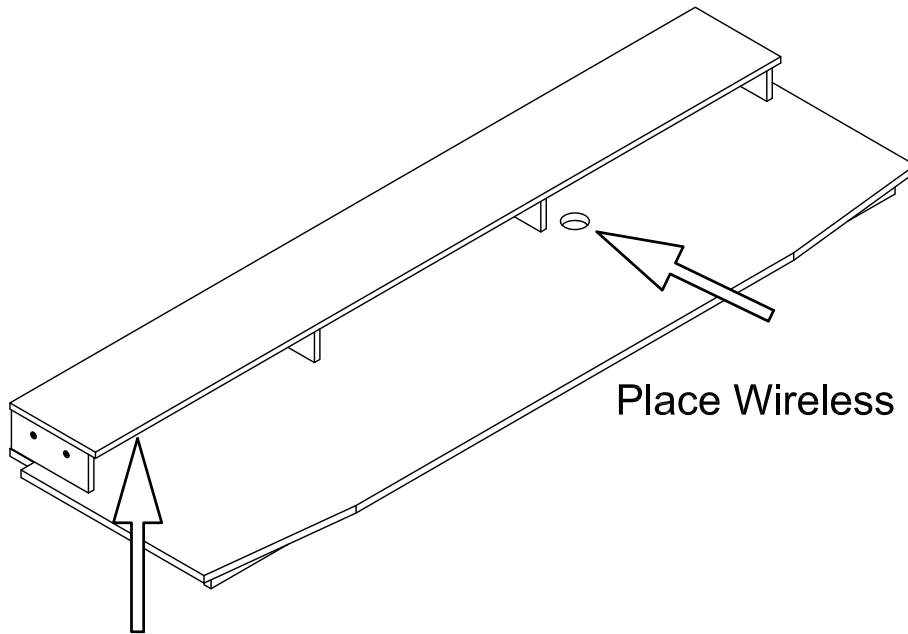
**Gx2**

**Fx4**

Attach Gaming Desk to your bed.  
Fasten tabel top **3** to bed with screws **F** and using Phillips head screw driver.



Step 5  
(Optional!)



Place Wireless Charger here

Fit Led Kit here



## Customer Notice

Congratulations on your recent purchase of furniture!

Customer Service:

For any spare or missing parts requests please contact us through either:

Phone: 01274 809402

Email: [service@kids-avenue.co.uk](mailto:service@kids-avenue.co.uk)

By Post: Kids-Avenue, The Old Mill House, Dockfield Rd, Shipley, BD17 7AD

(Our office is open during normal working hours Mon-Fri 9.00am – 5.00pm)

Please ensure that you provide all product information to avoid delays in processing. We require:

*Product Name*

*Colour*

*Part No required (from assembly instructions)*

*Quantity Required*

*Your details including; Name, Address, Postcode and Contact Number*

Our product control team has ensured a high quality product that we are sure you will be pleased with. Any components produced from solid wood will contain knots, which is a natural feature and not a defect.