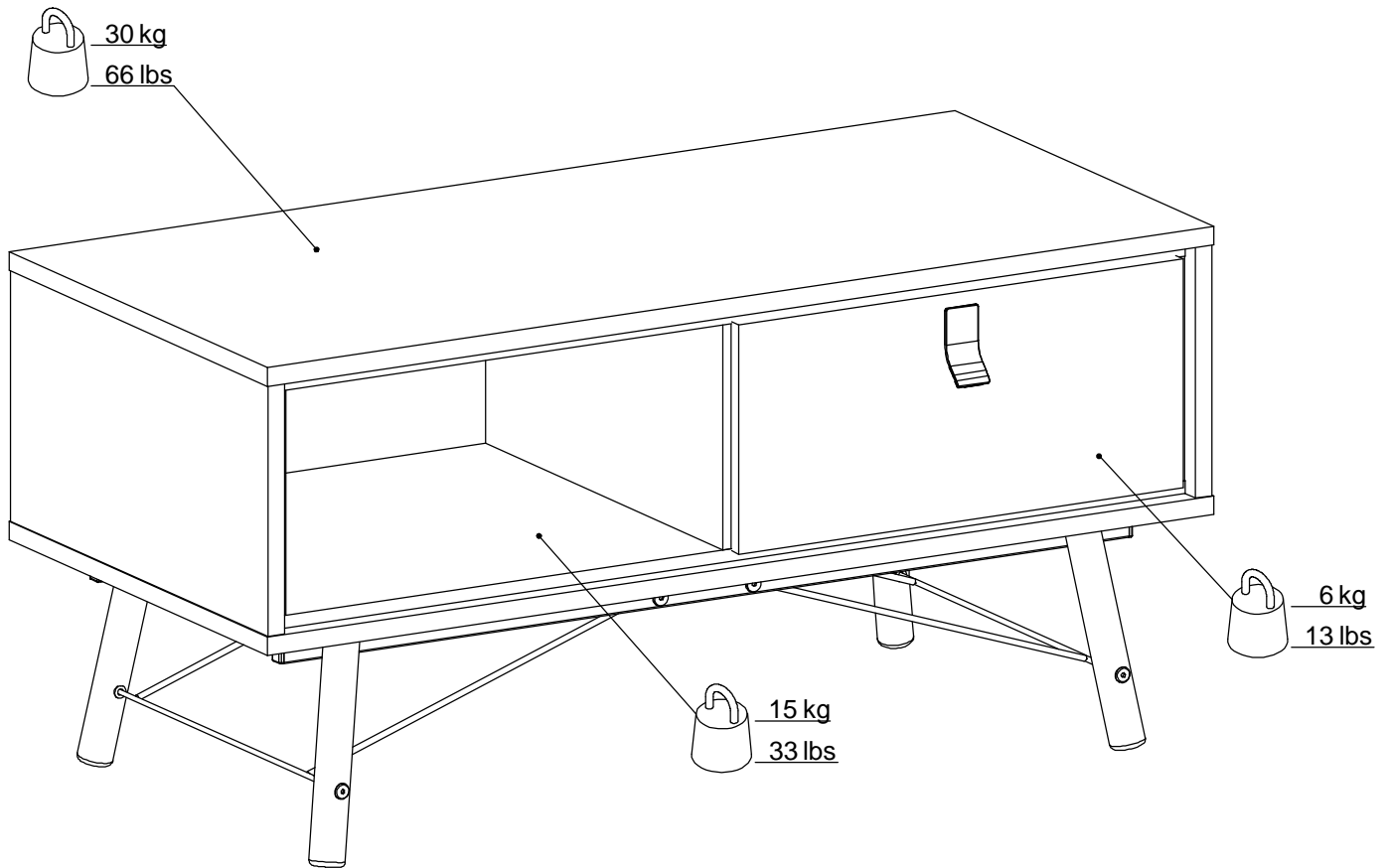
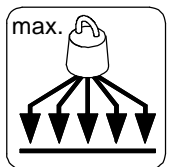


tvilum

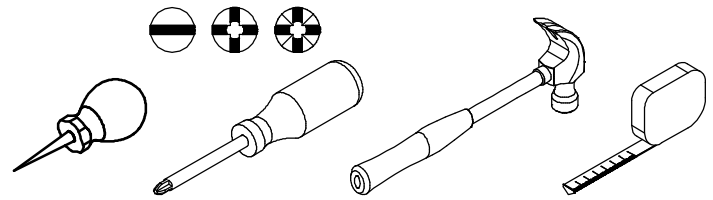
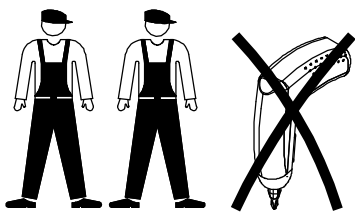


86009 A

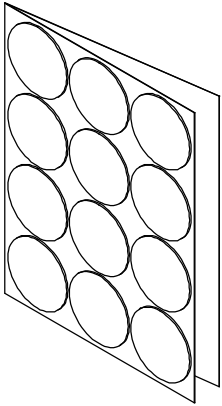


www.tvilum.com





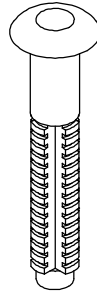
10901
x1



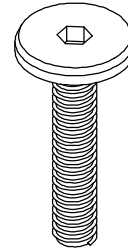
20203
x28



20228
x4



20609
x8



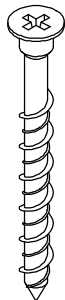
21203
x4



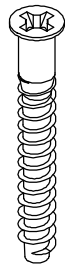
25215
x4



25288
x10



25604
x12



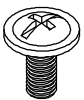
26020
x4



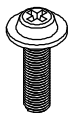
26096
x16



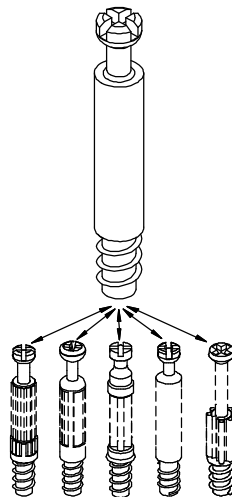
26214
x2



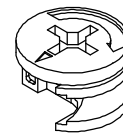
26297
x2



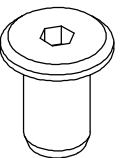
31513
x10



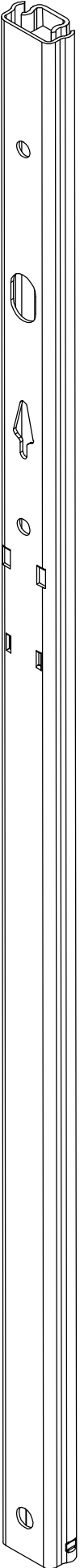
31687
x10



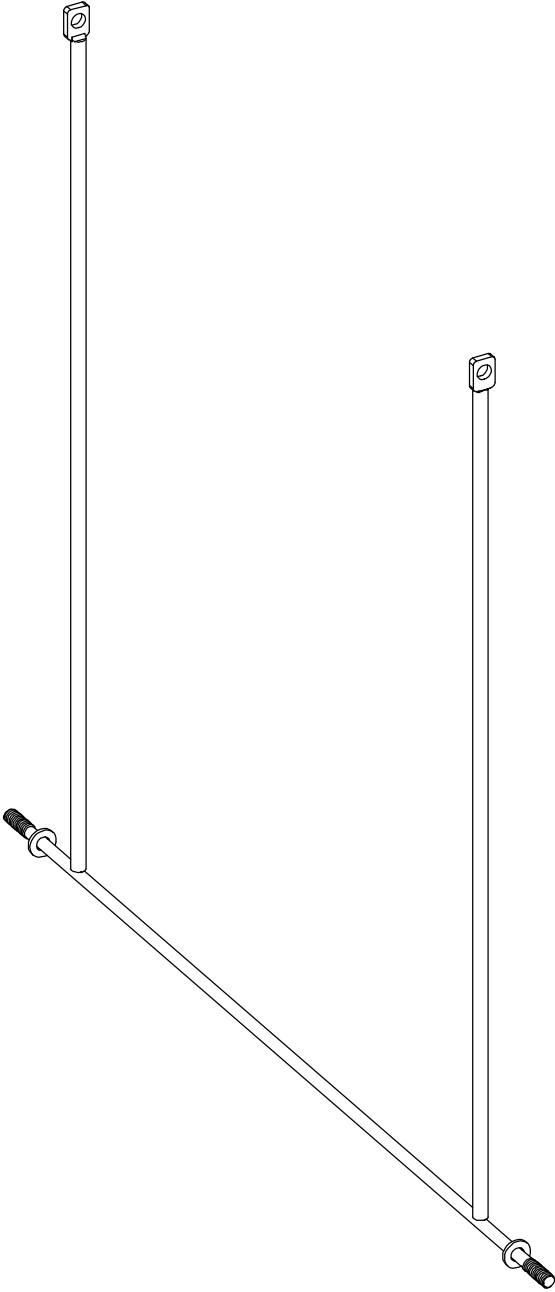
32810
x4



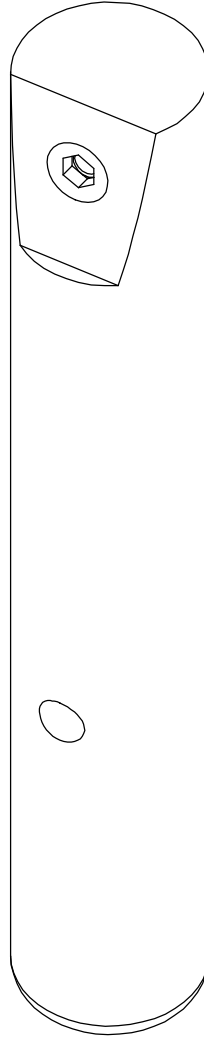
41417
x2



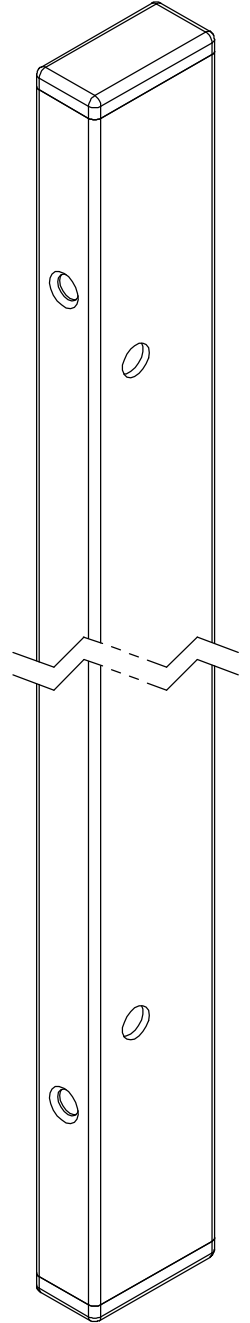
66826
x2



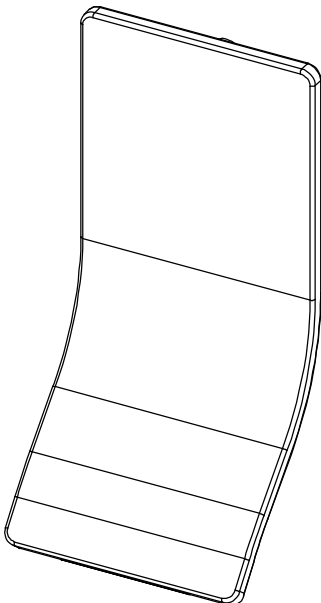
66827
x4



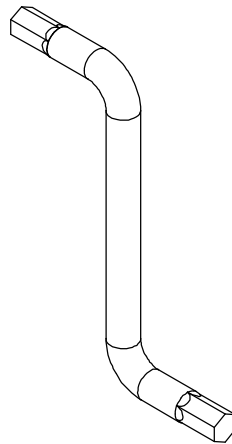
66828
x2

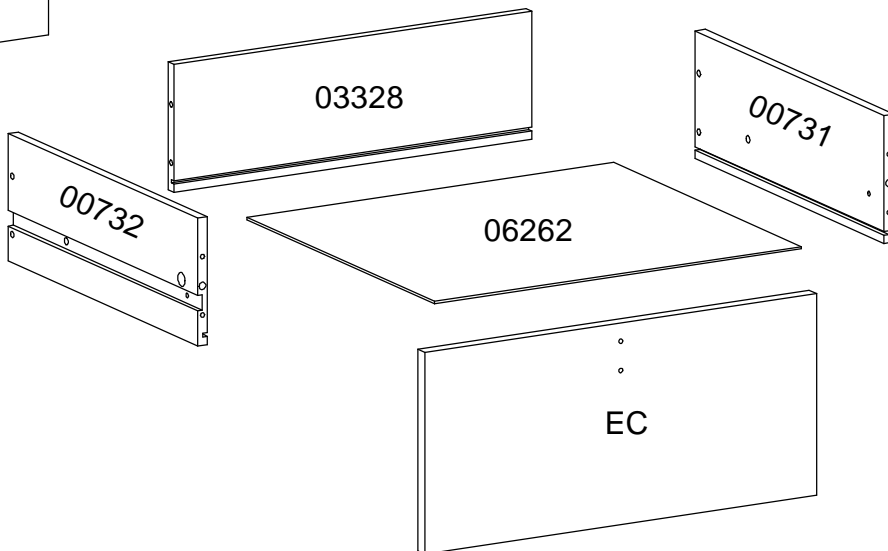
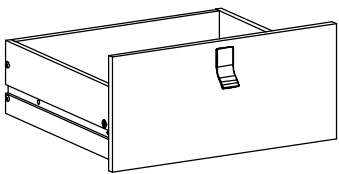
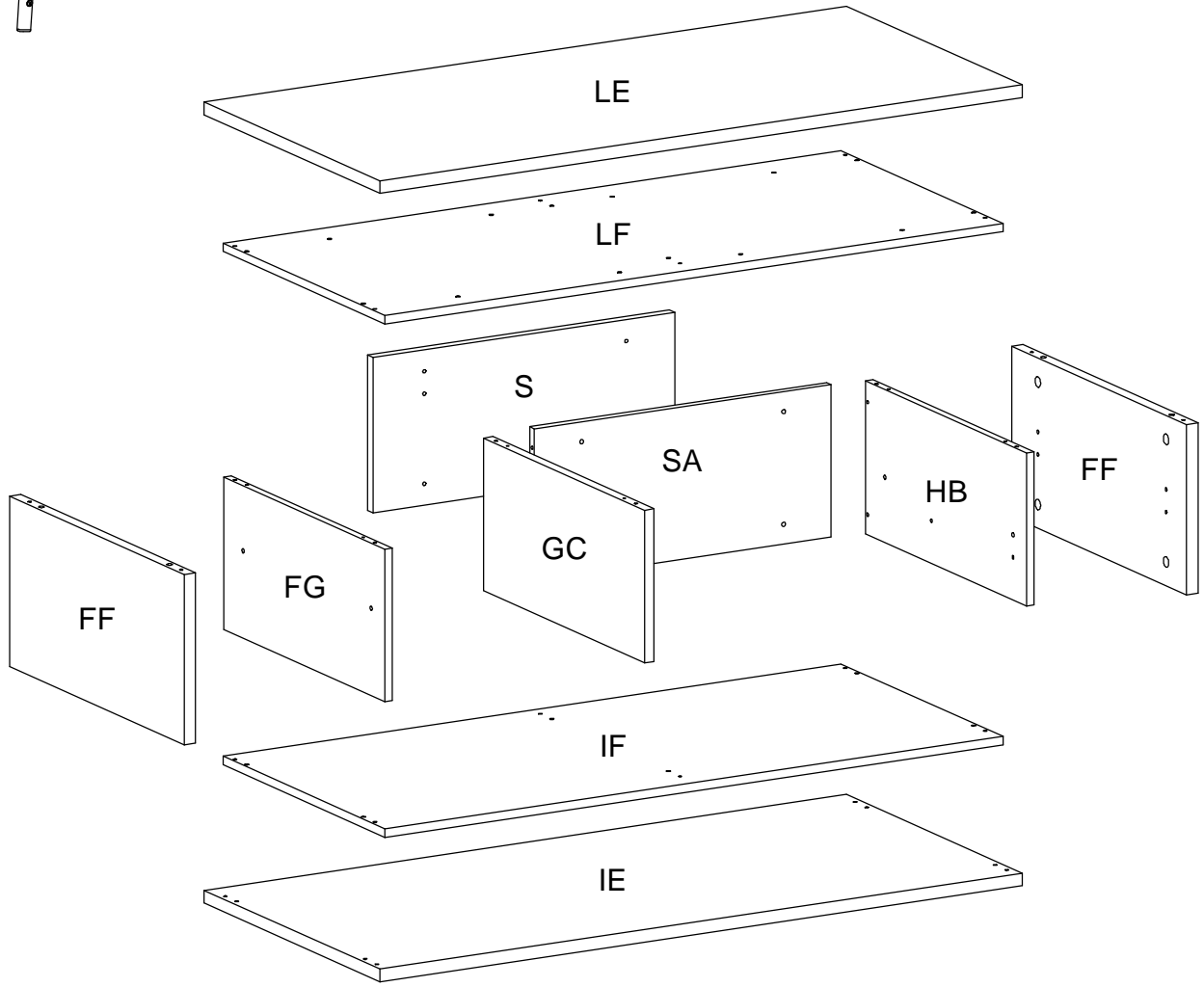
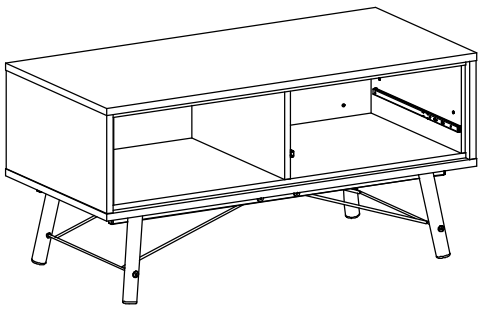


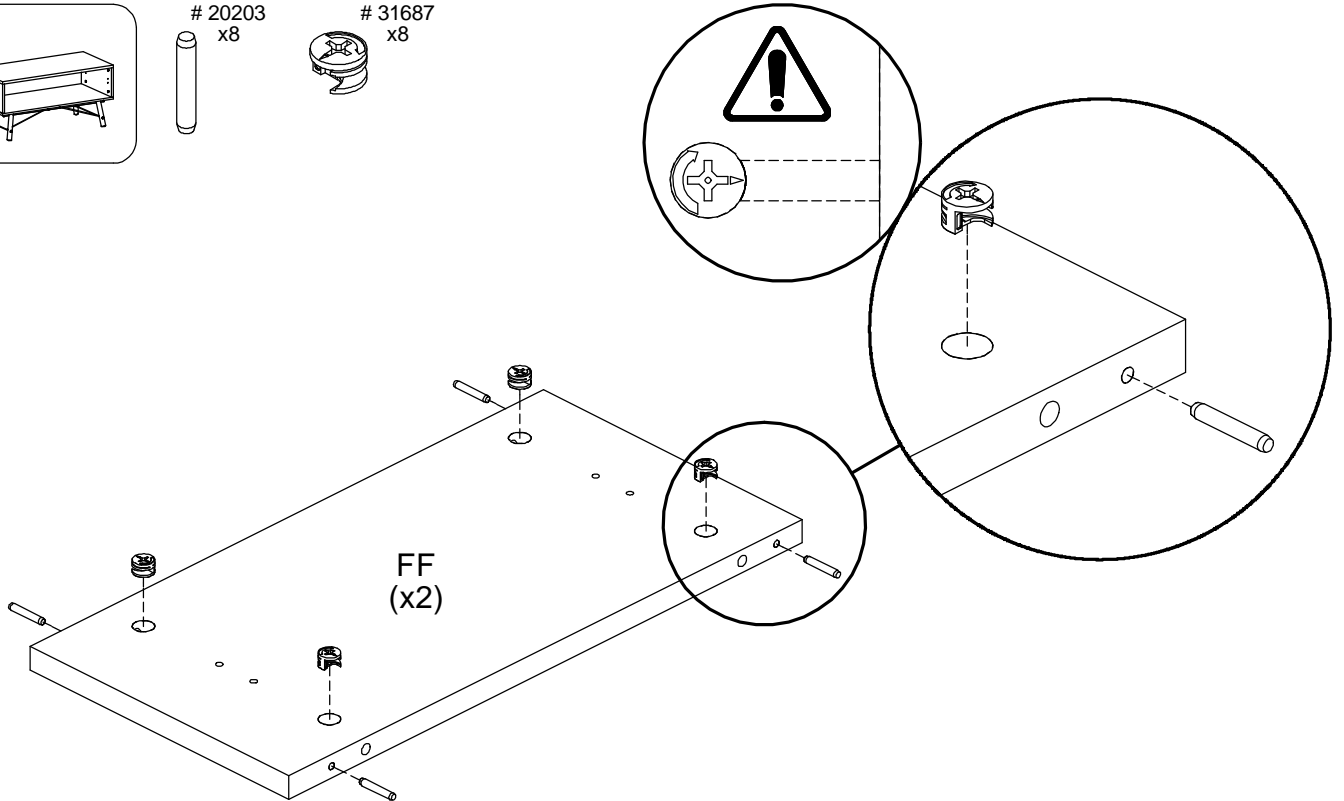
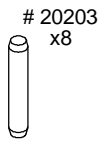
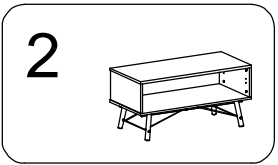
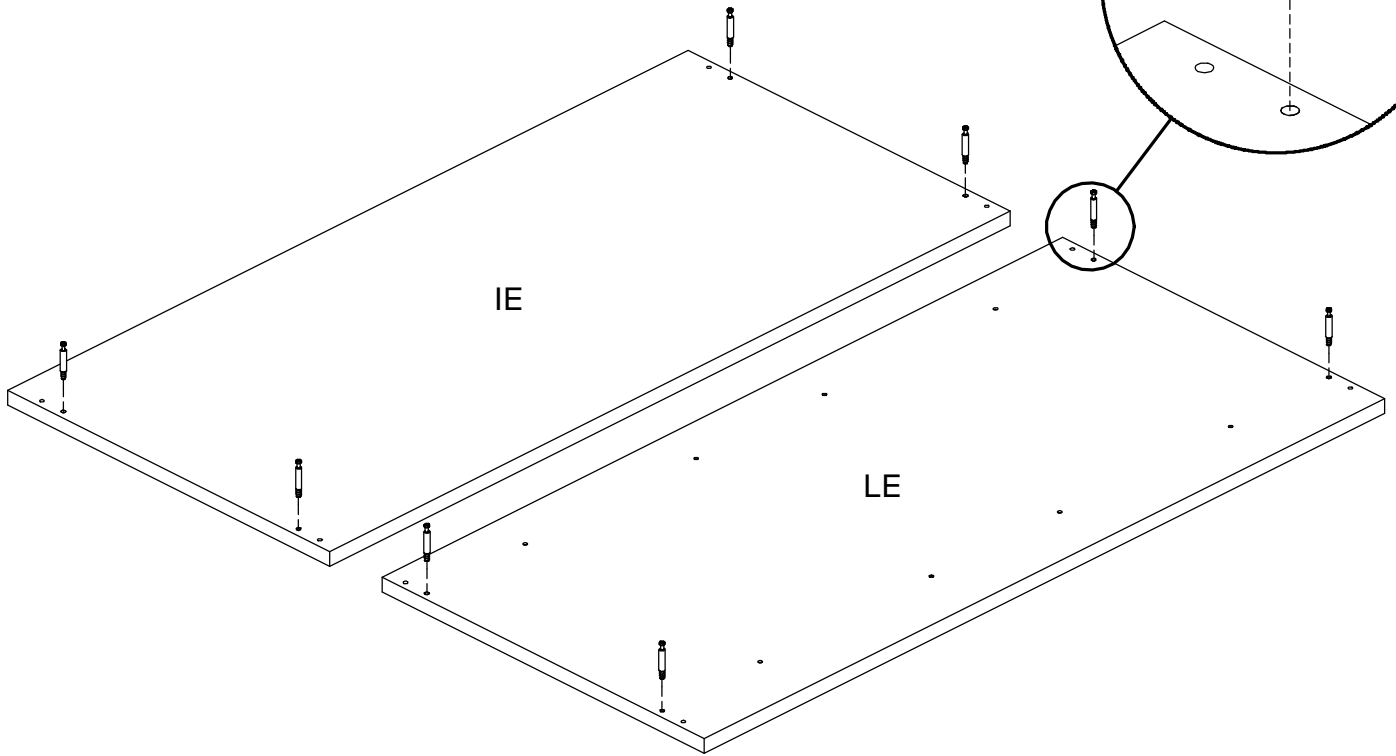
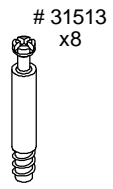
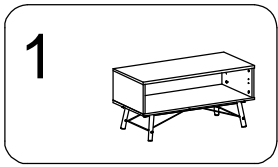
80113
x1

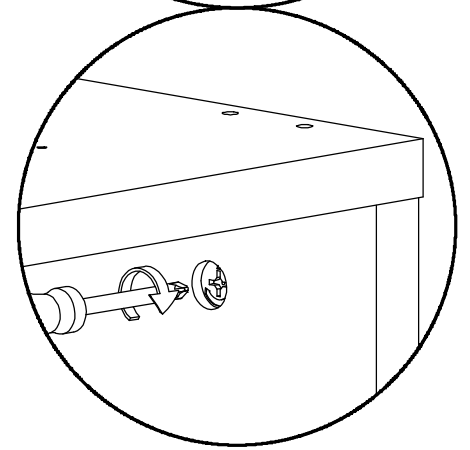
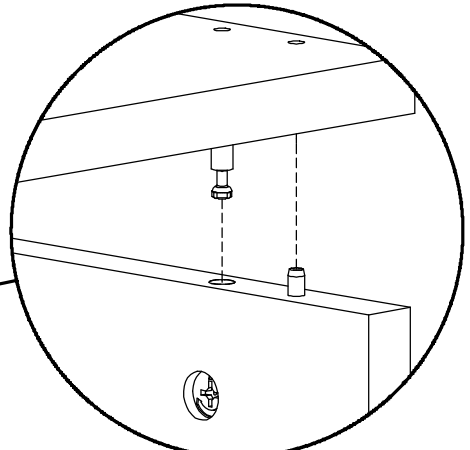
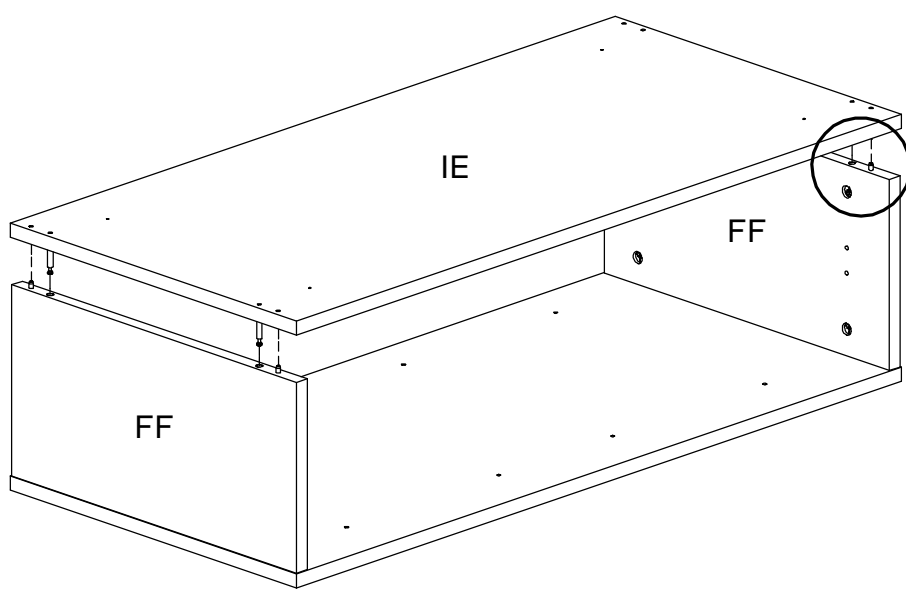
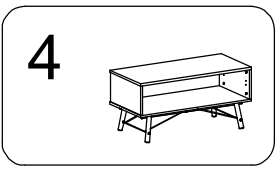
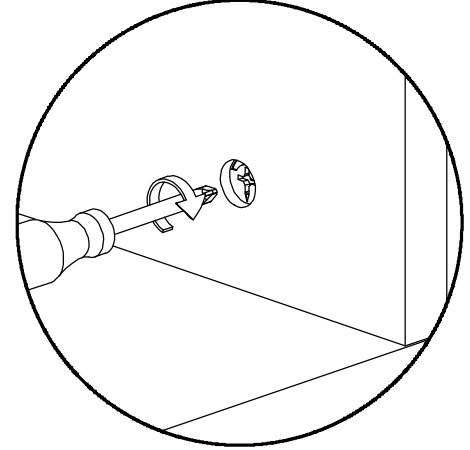
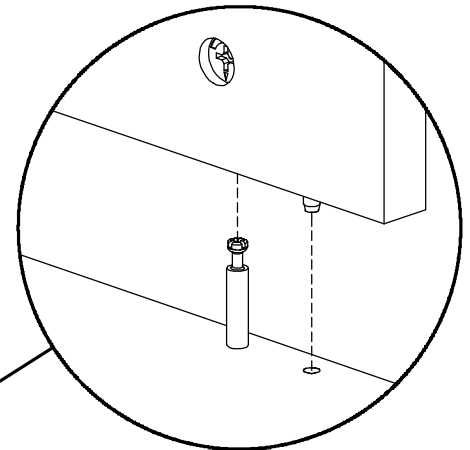
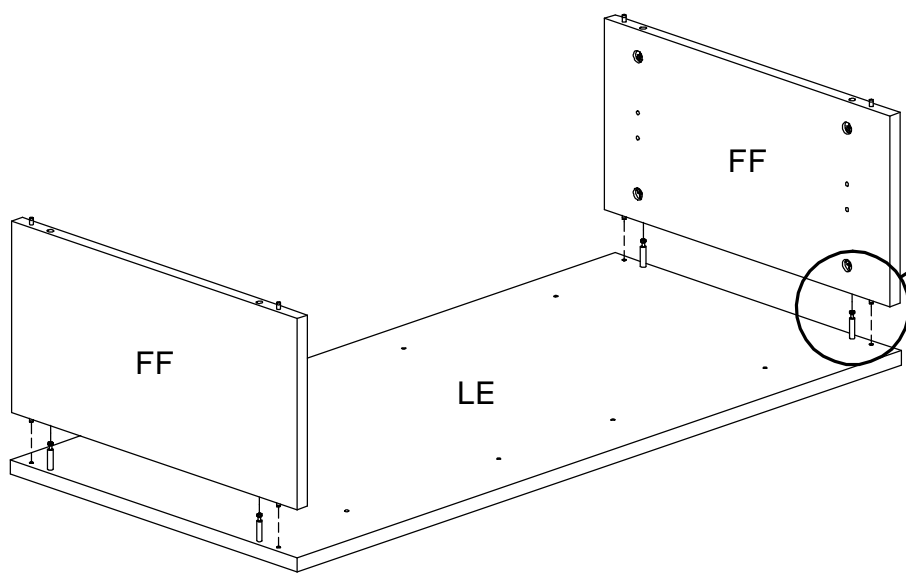
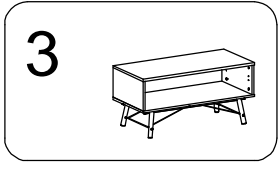


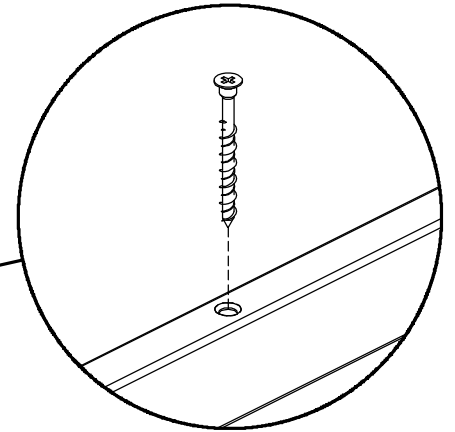
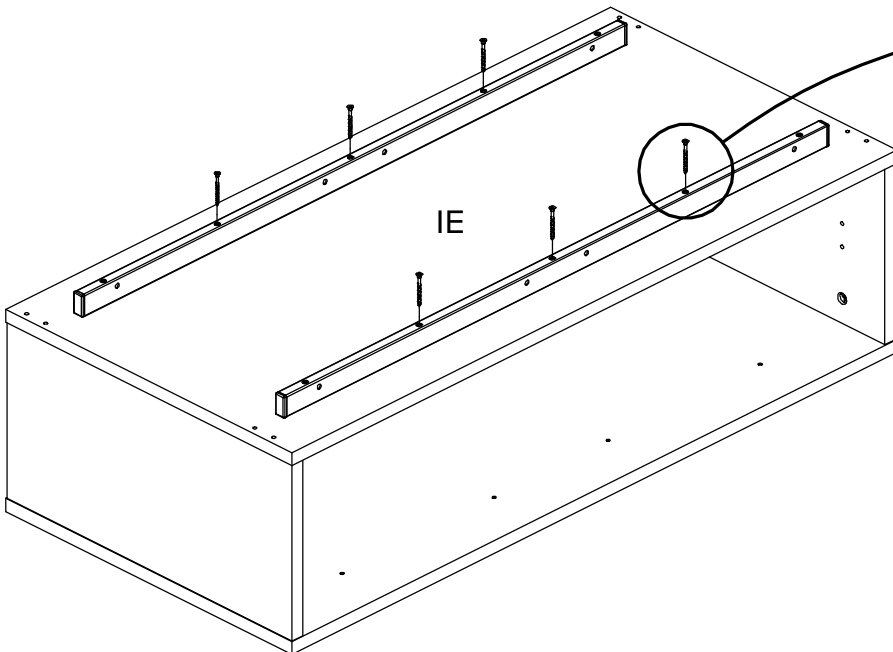
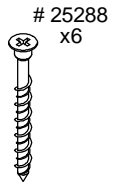
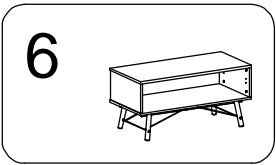
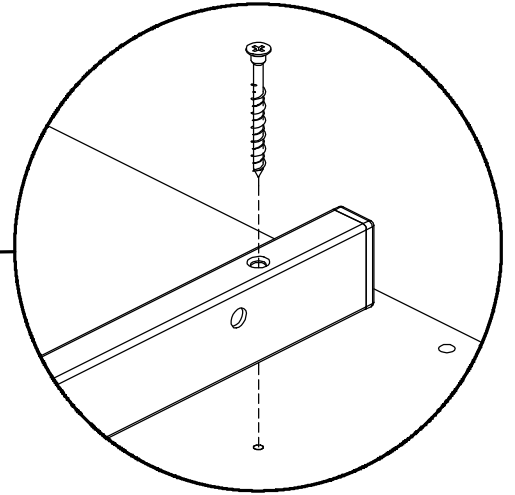
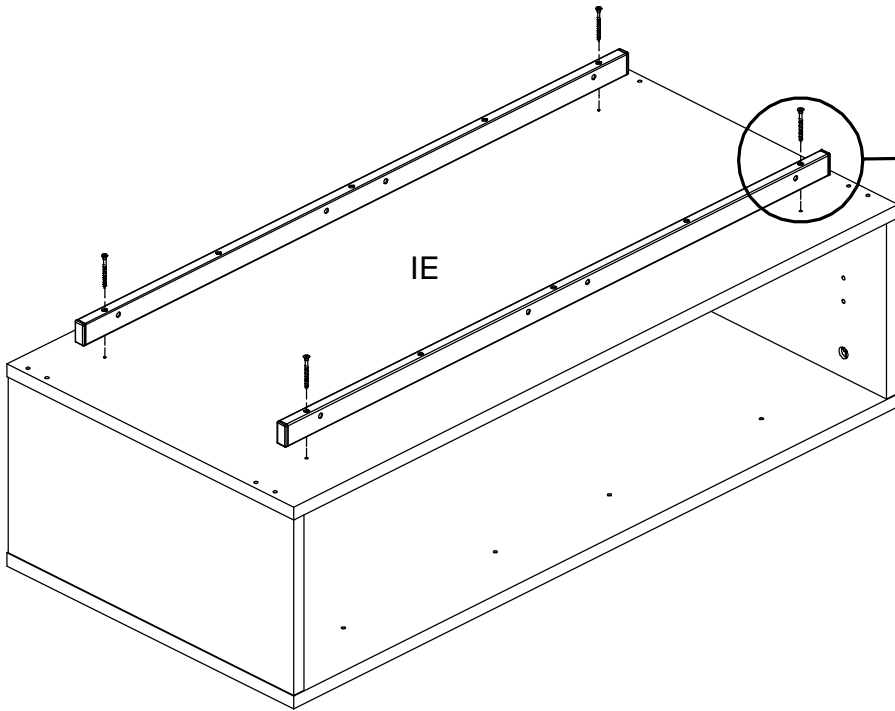
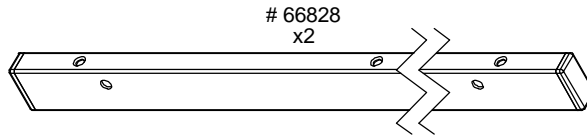
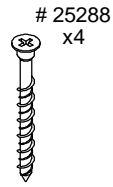
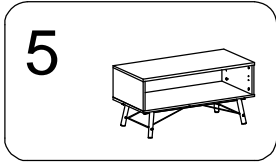
97642
x1

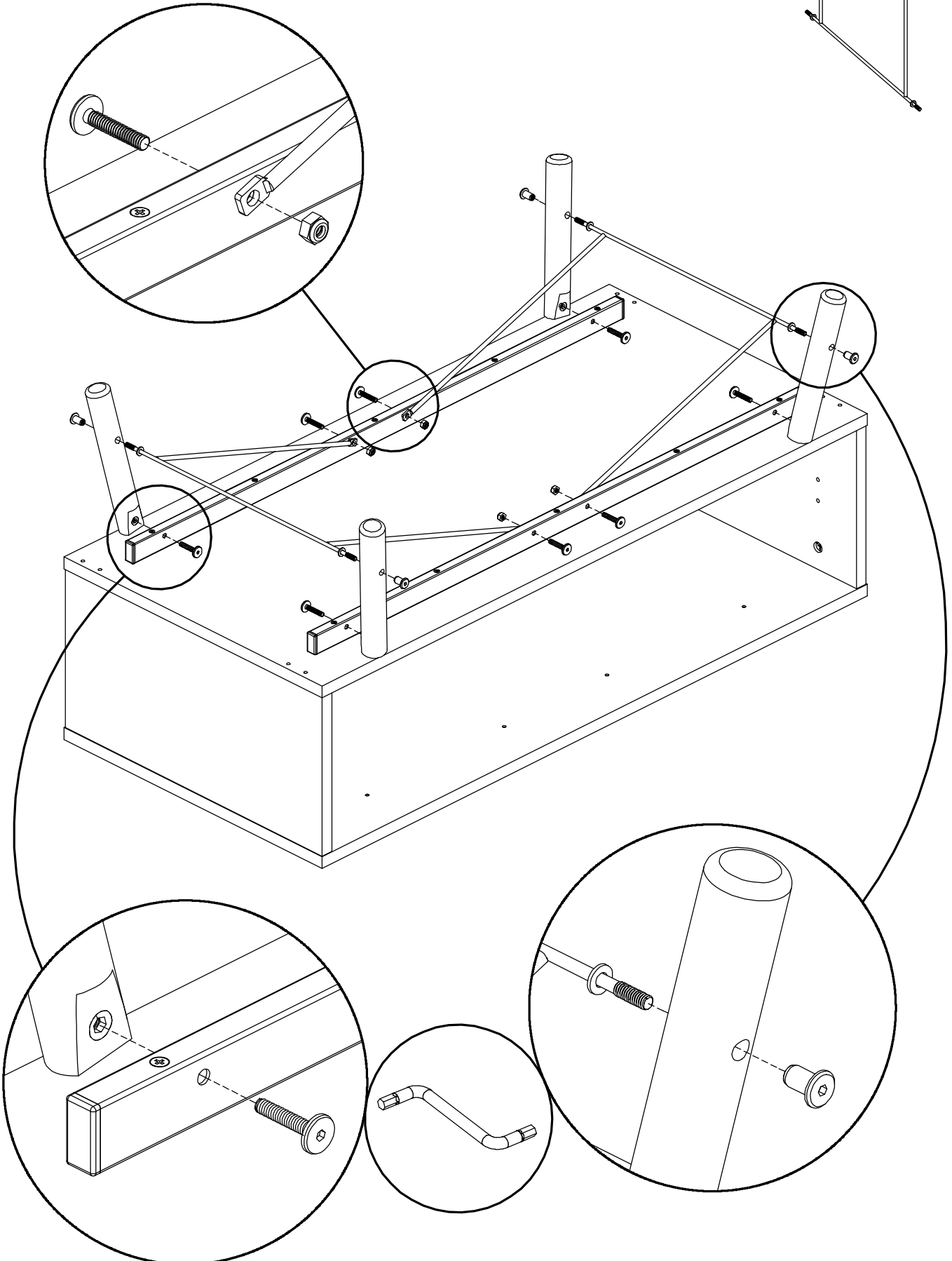
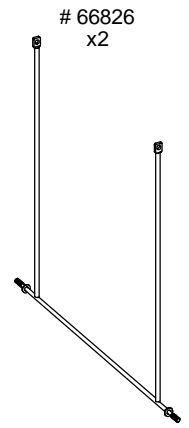
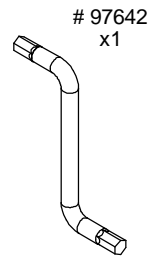
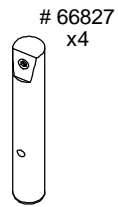
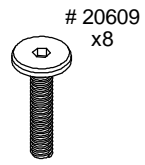
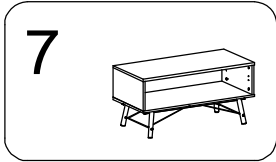


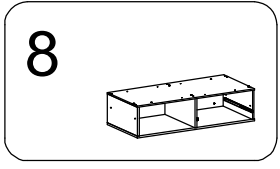






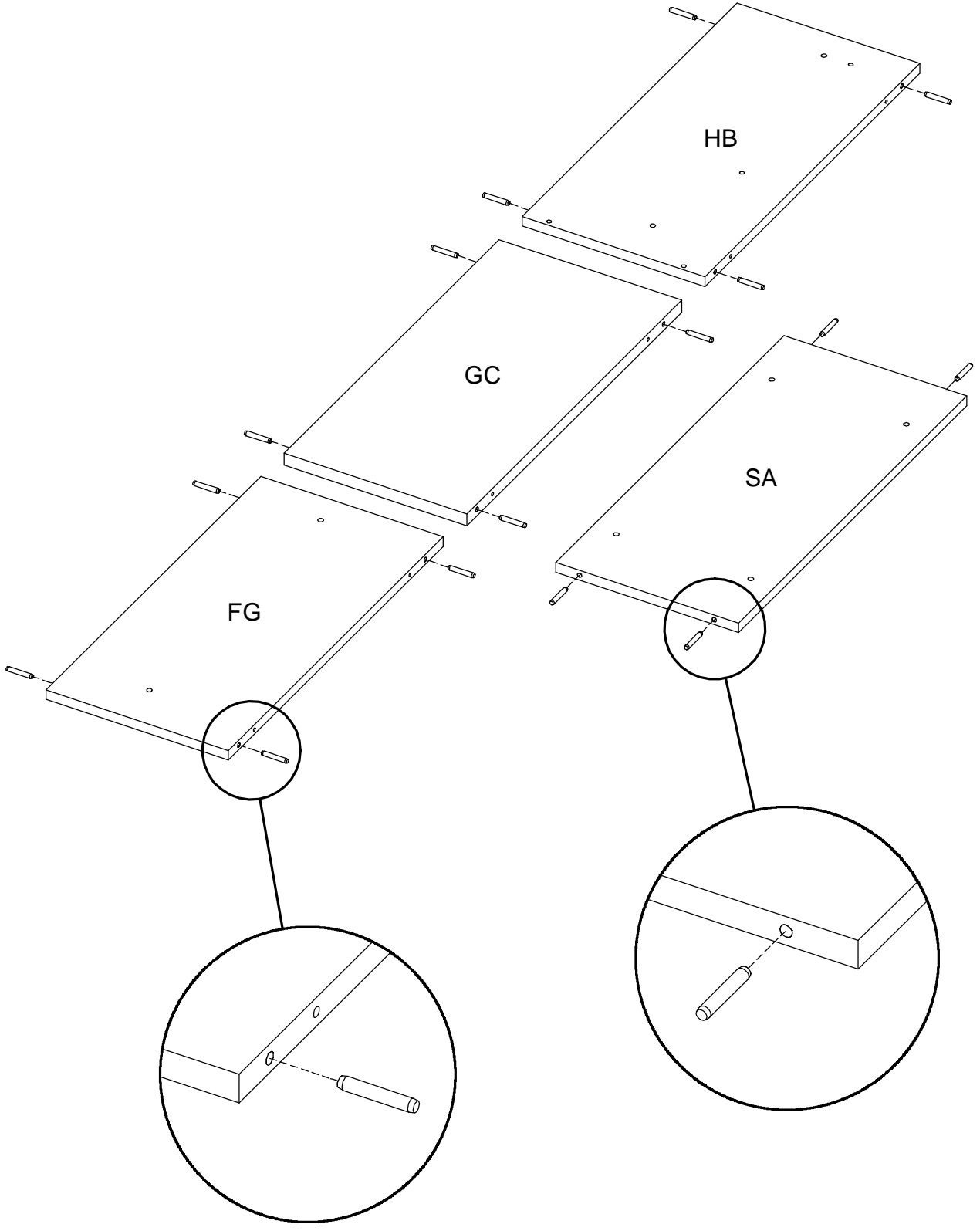


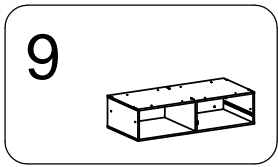




8

20203
x16

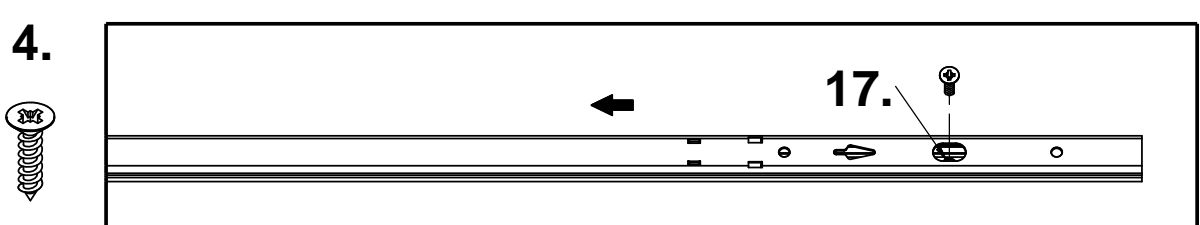
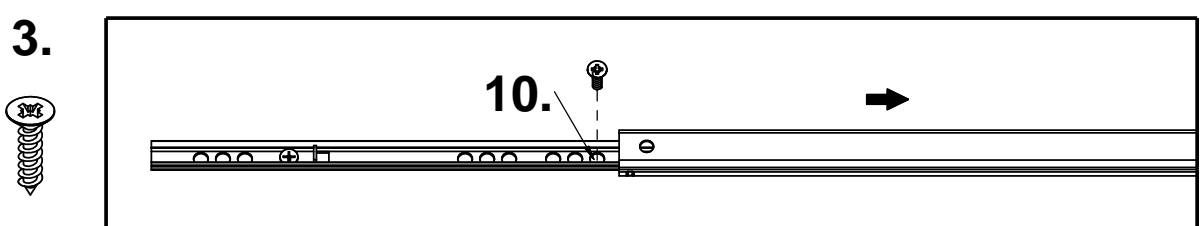
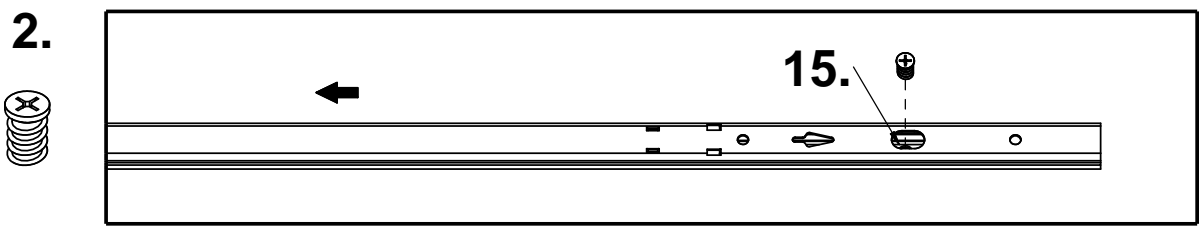
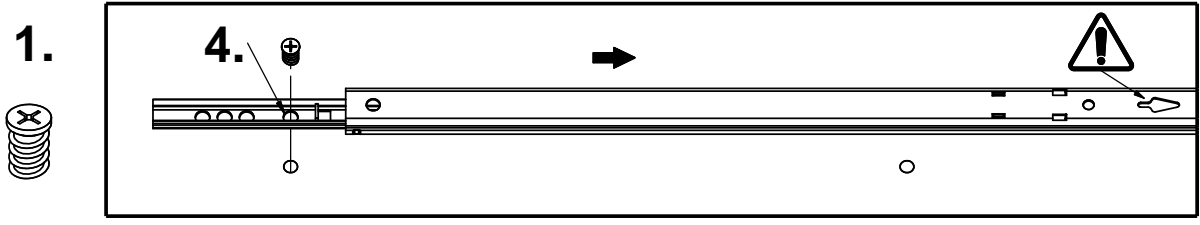
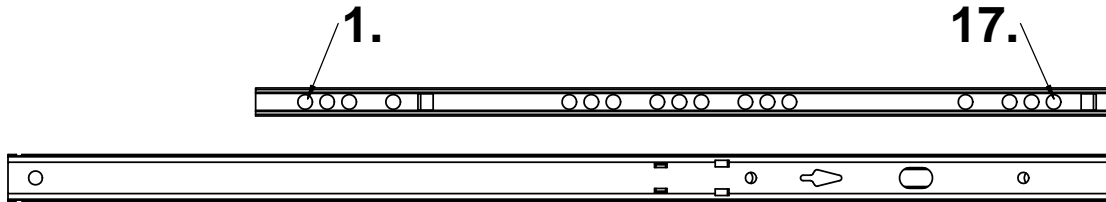
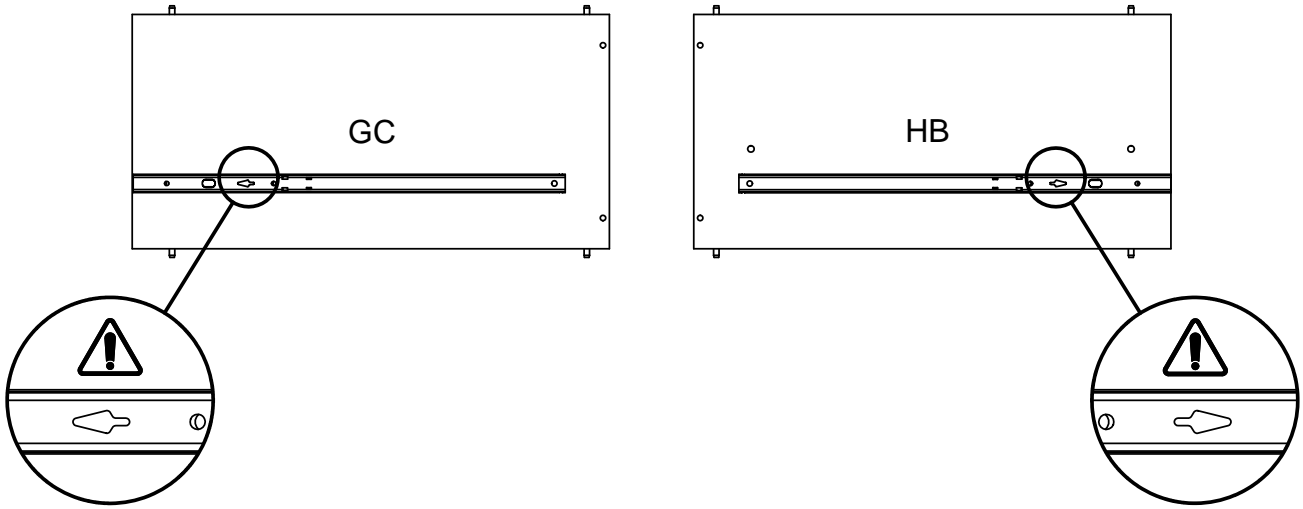




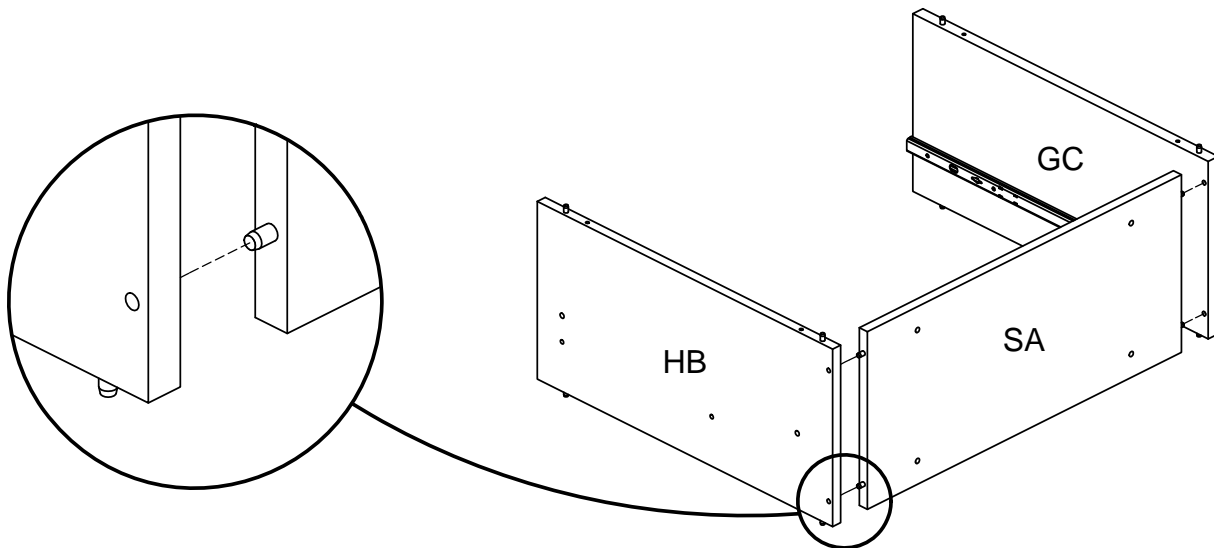
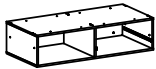
25215
x4

26020
x4

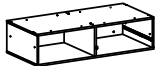
41417
x2



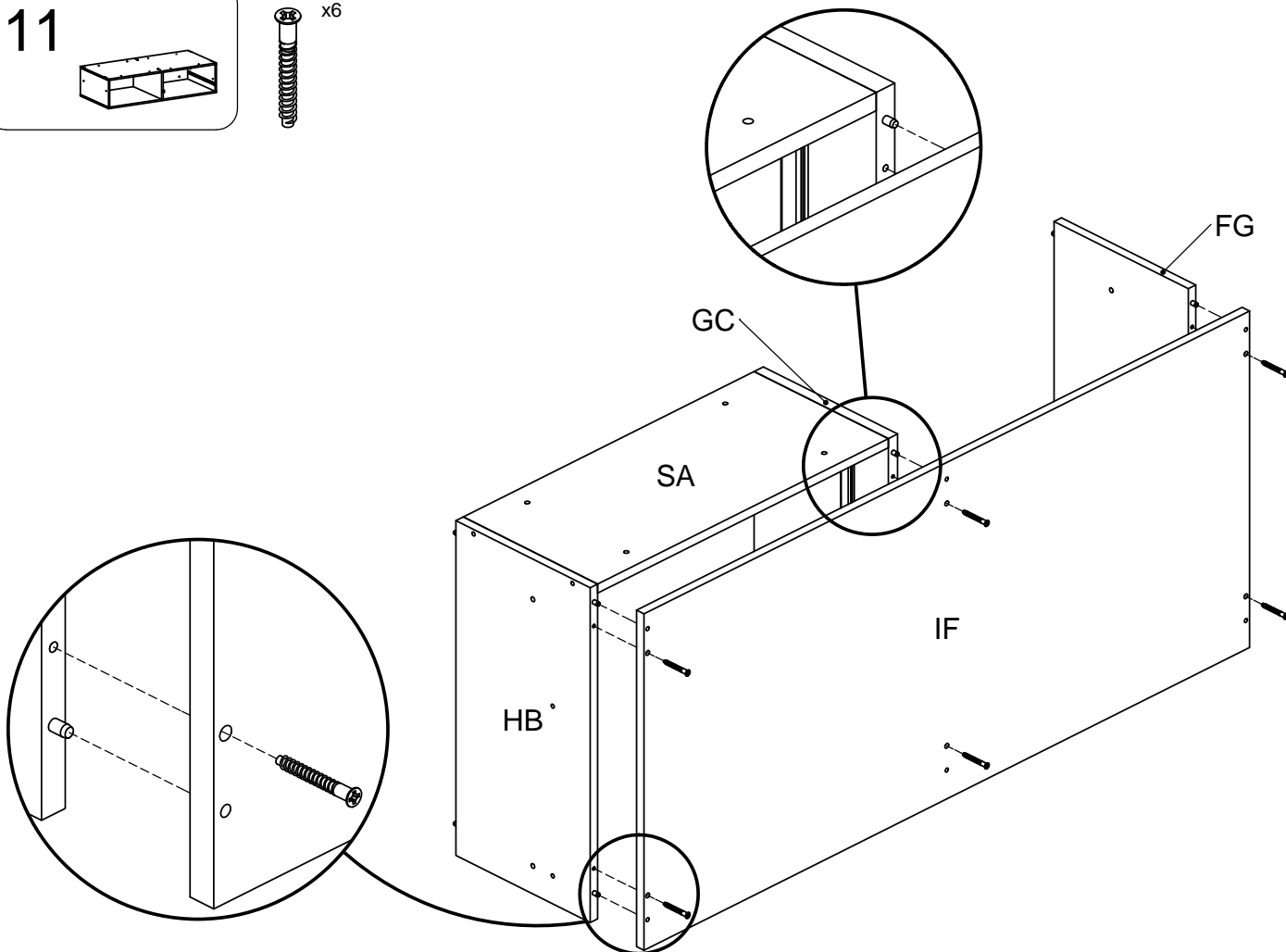
10



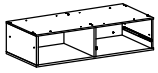
11



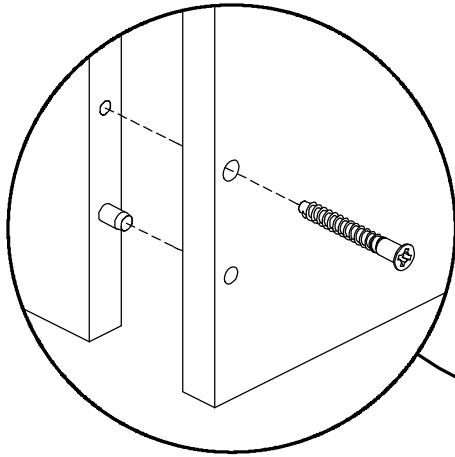
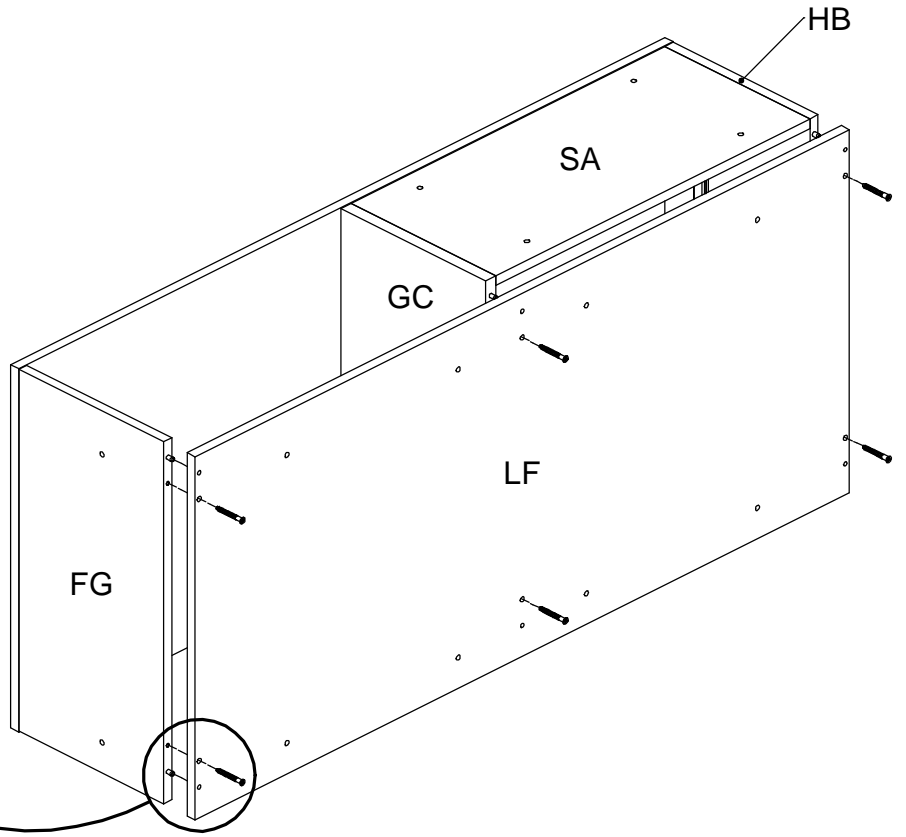
25604
x6



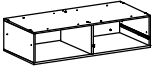
12



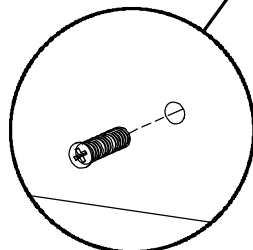
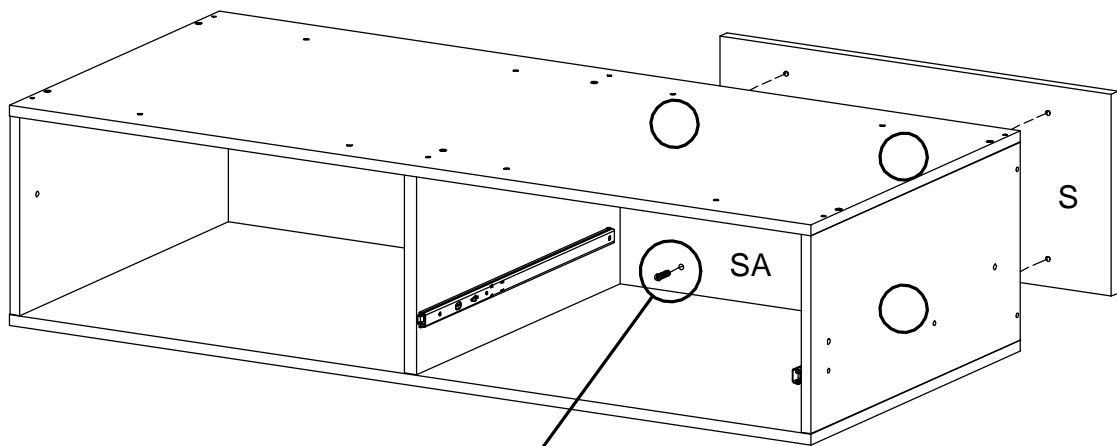
25604
x6



13

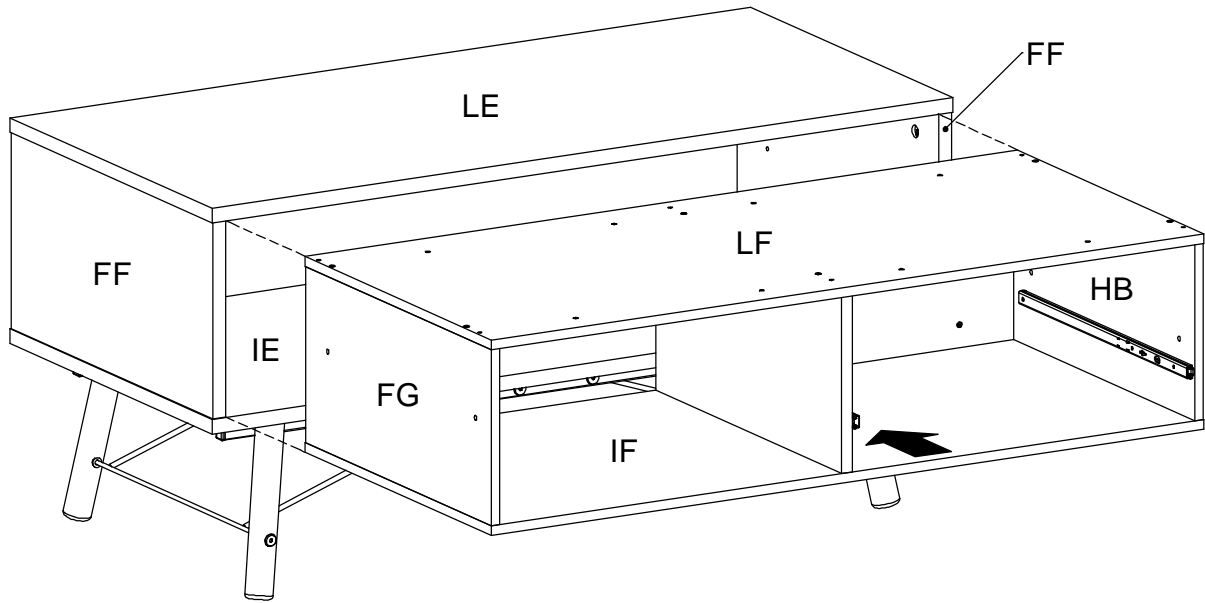


26096
x4



x4

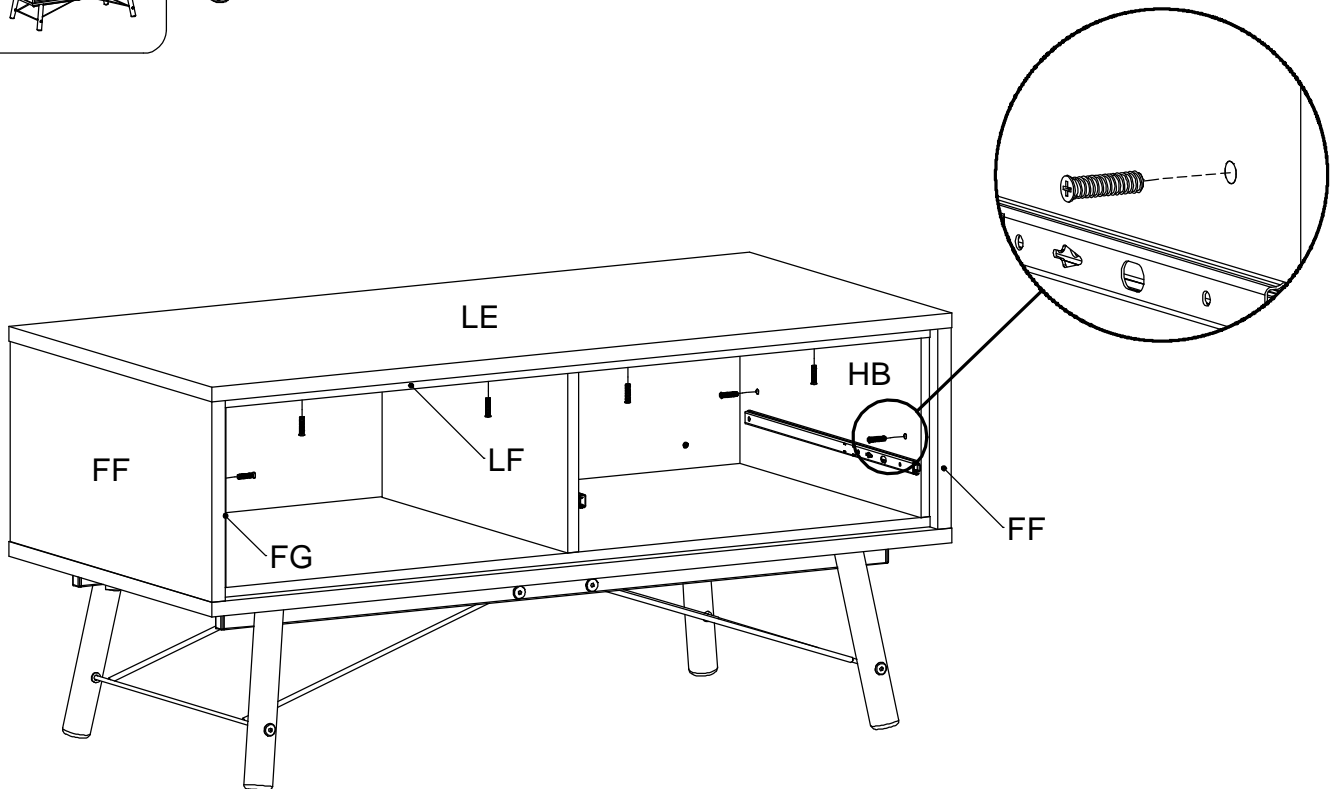
14

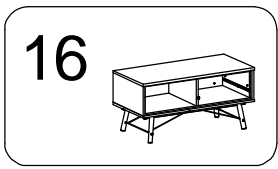


15

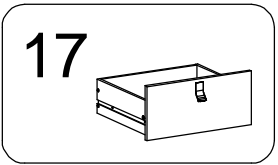
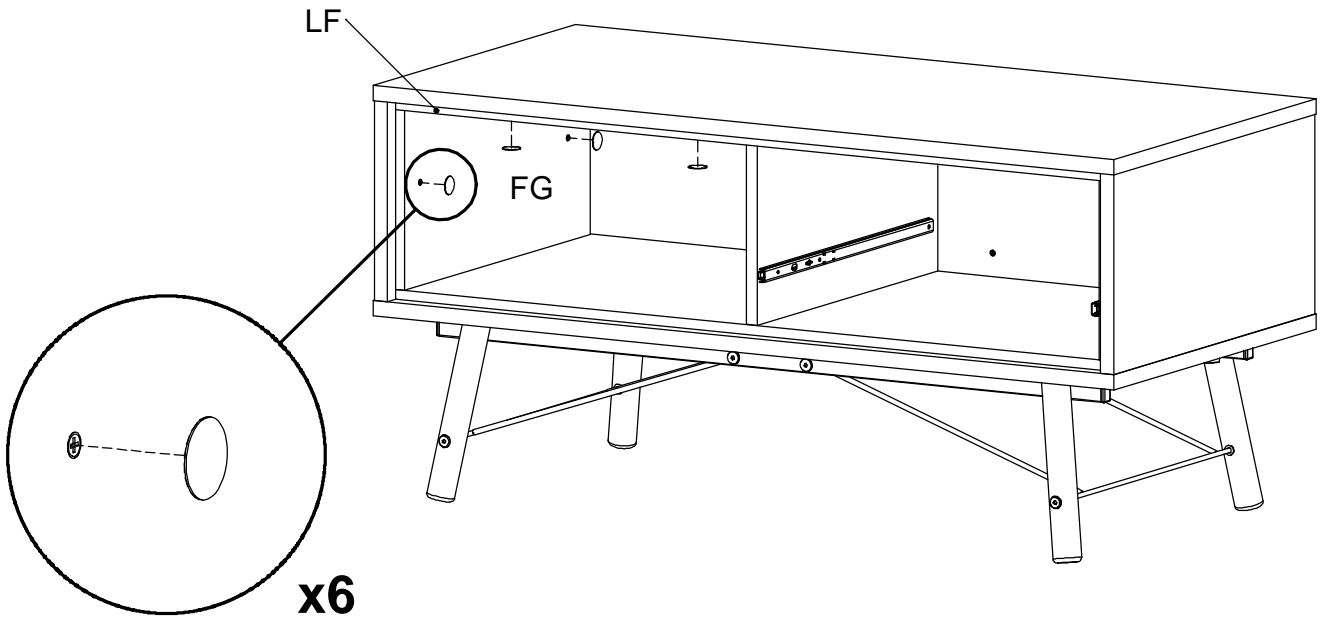
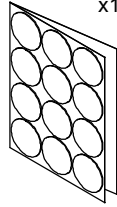


26096
x12





10901
x1



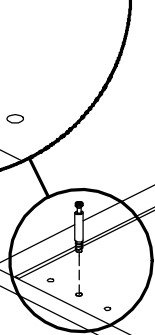
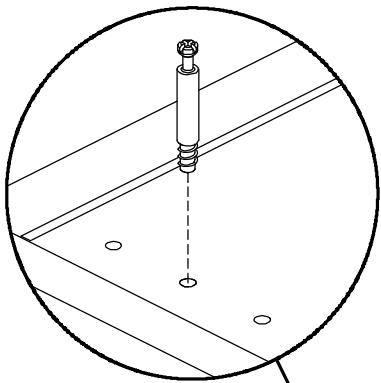
20203
x4



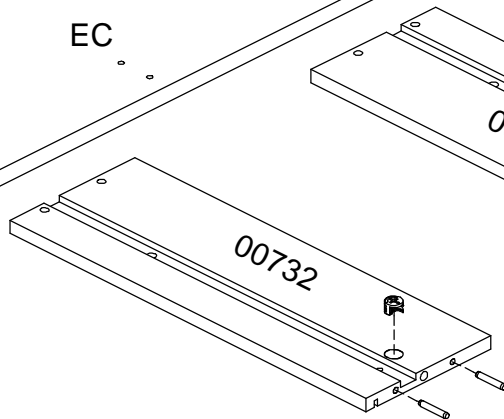
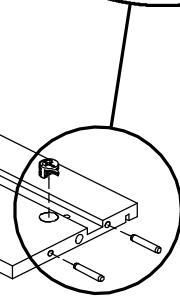
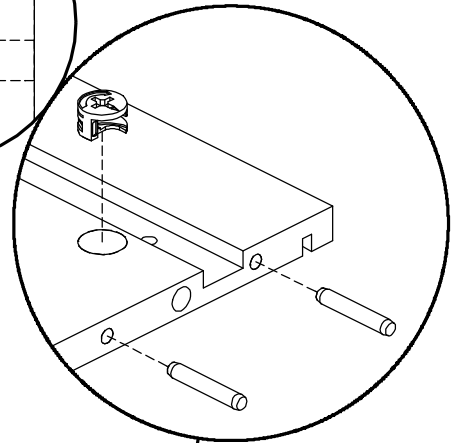
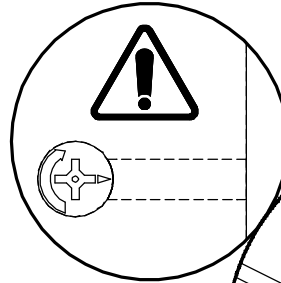
31513
x2

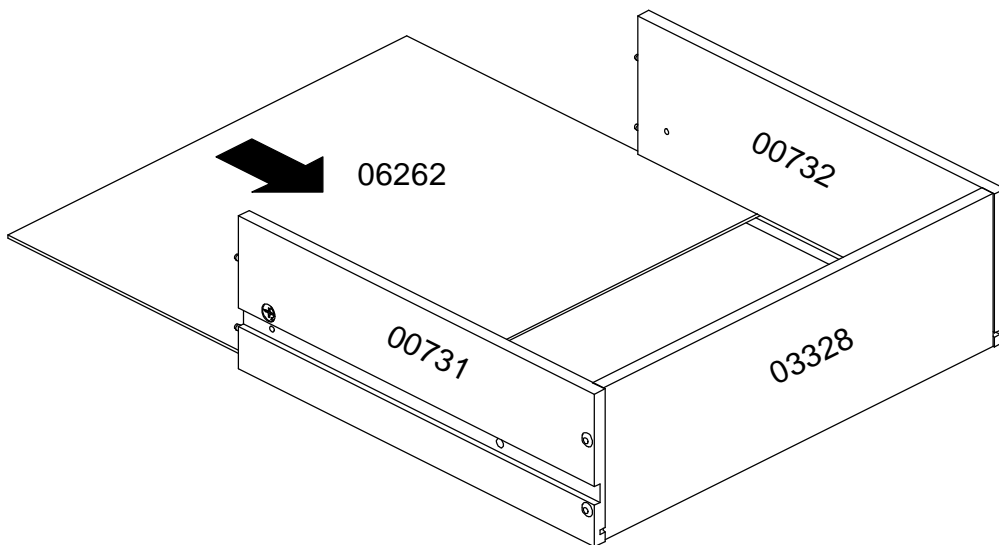
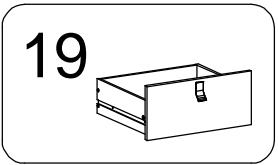
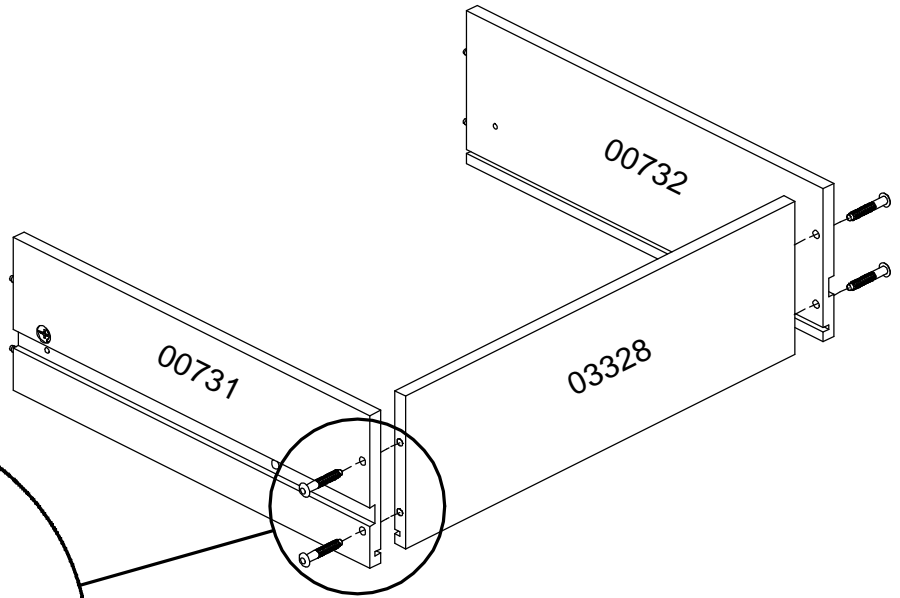
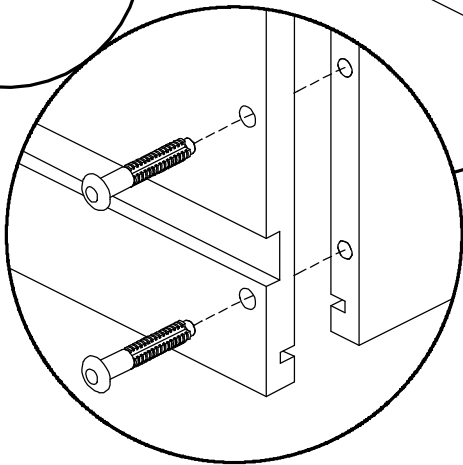
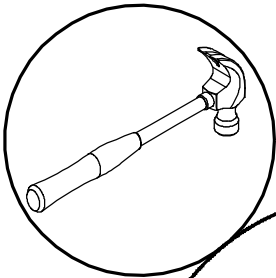
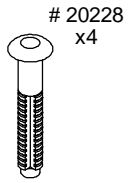
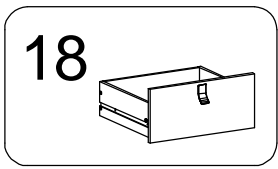


31687
x2

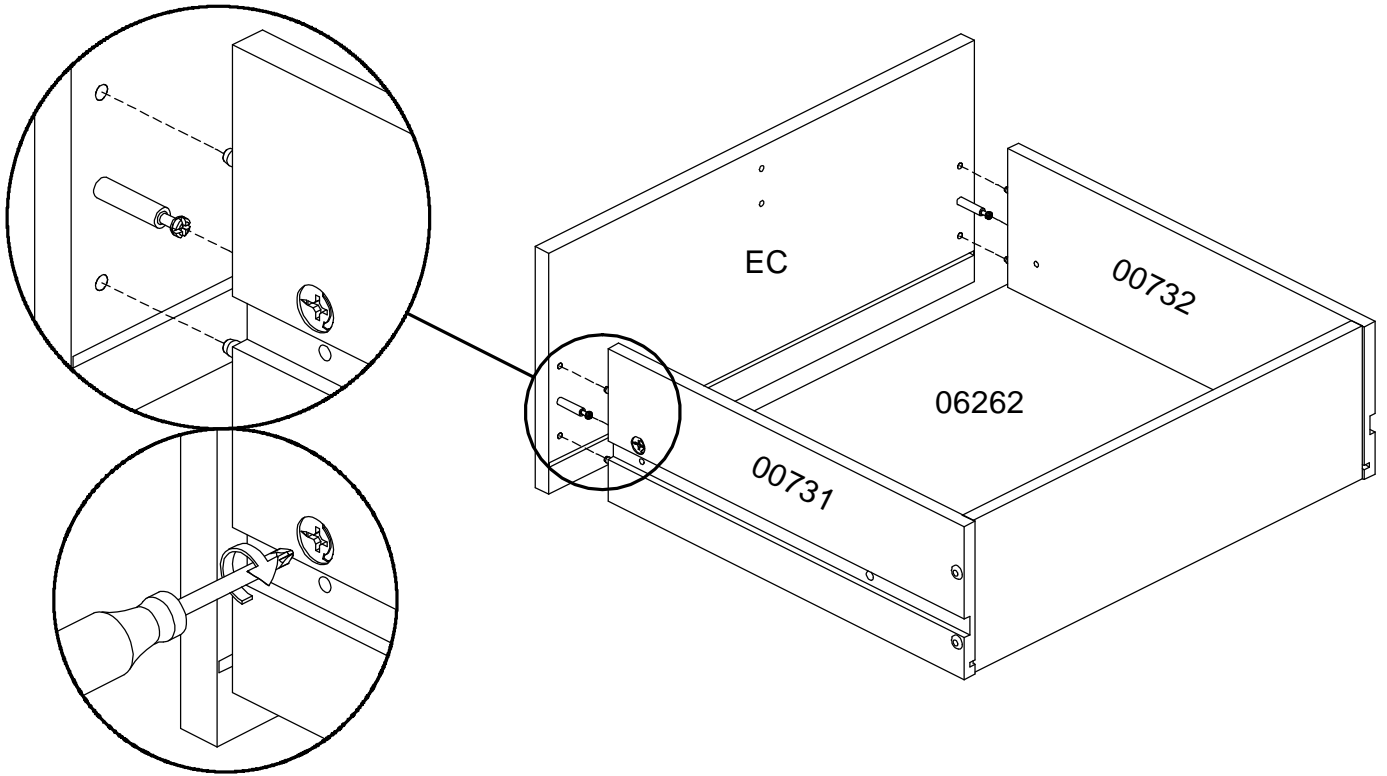
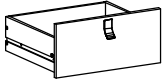


EC

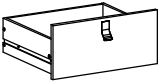




20

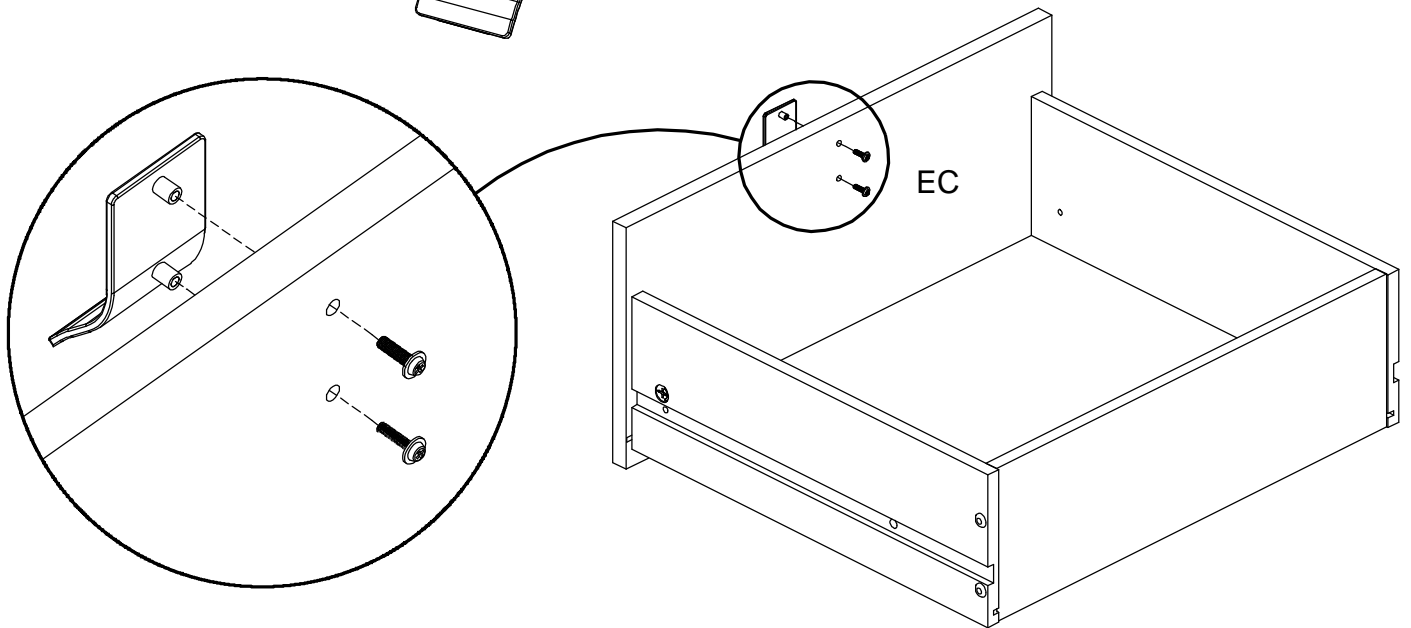
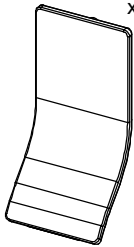


21

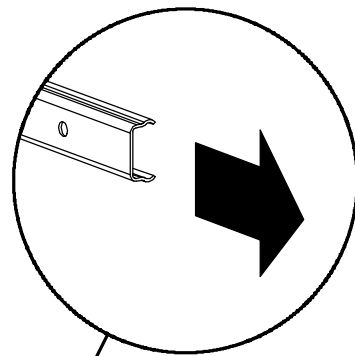
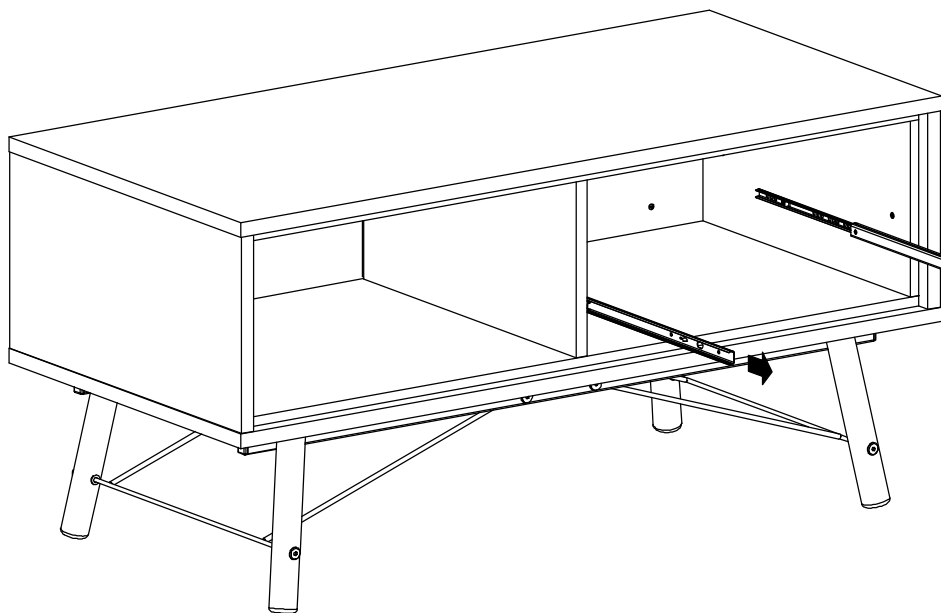


26297
x2

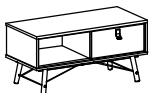
80113
x1



22



23



26214
x2

