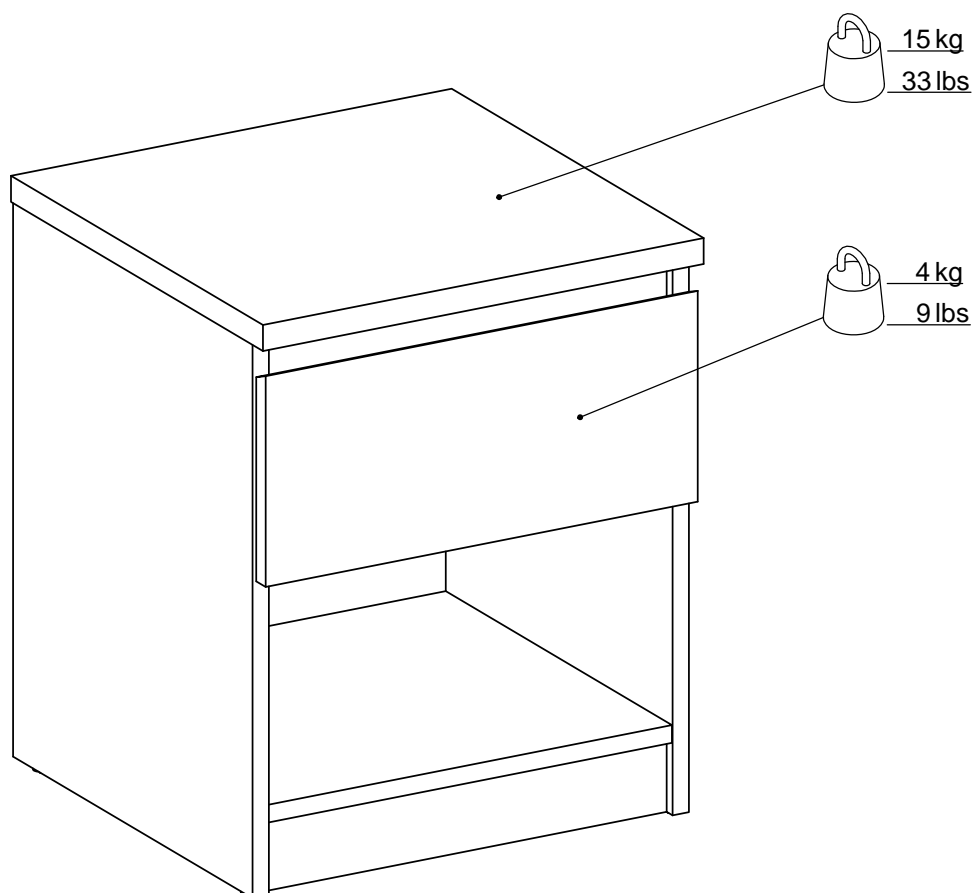
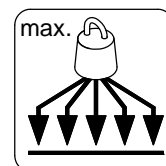


# tvilum

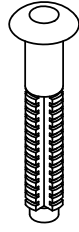
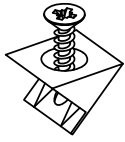


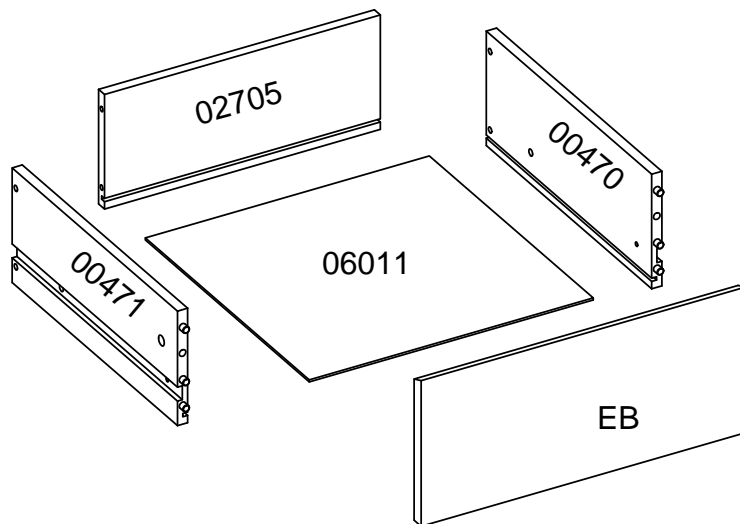
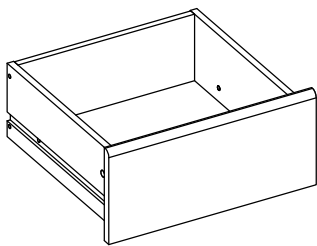
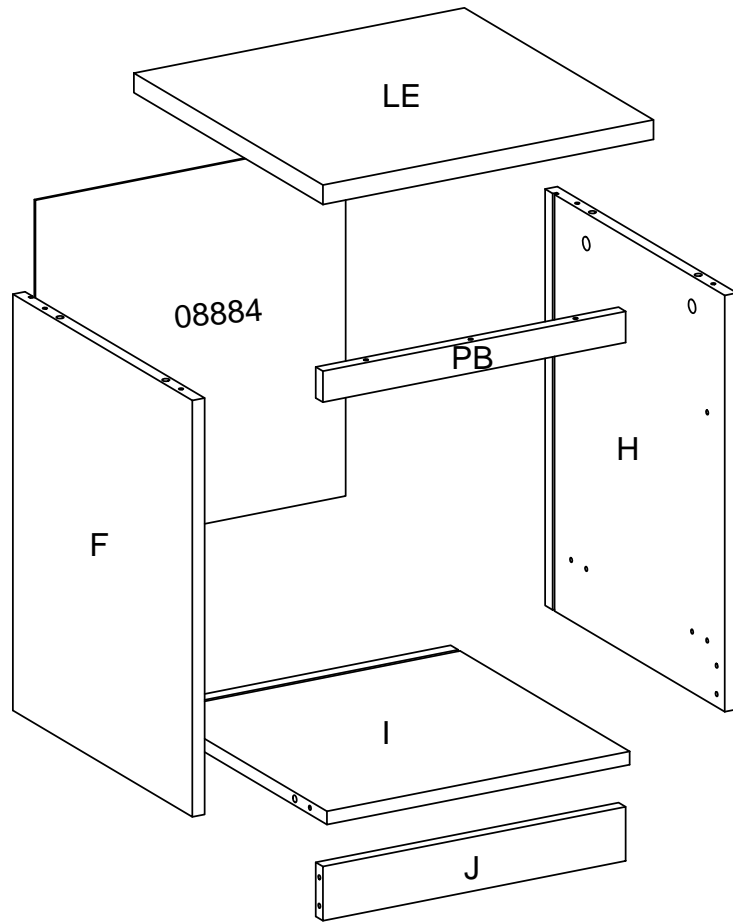
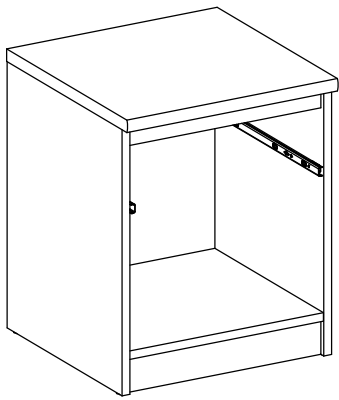
**76238** B

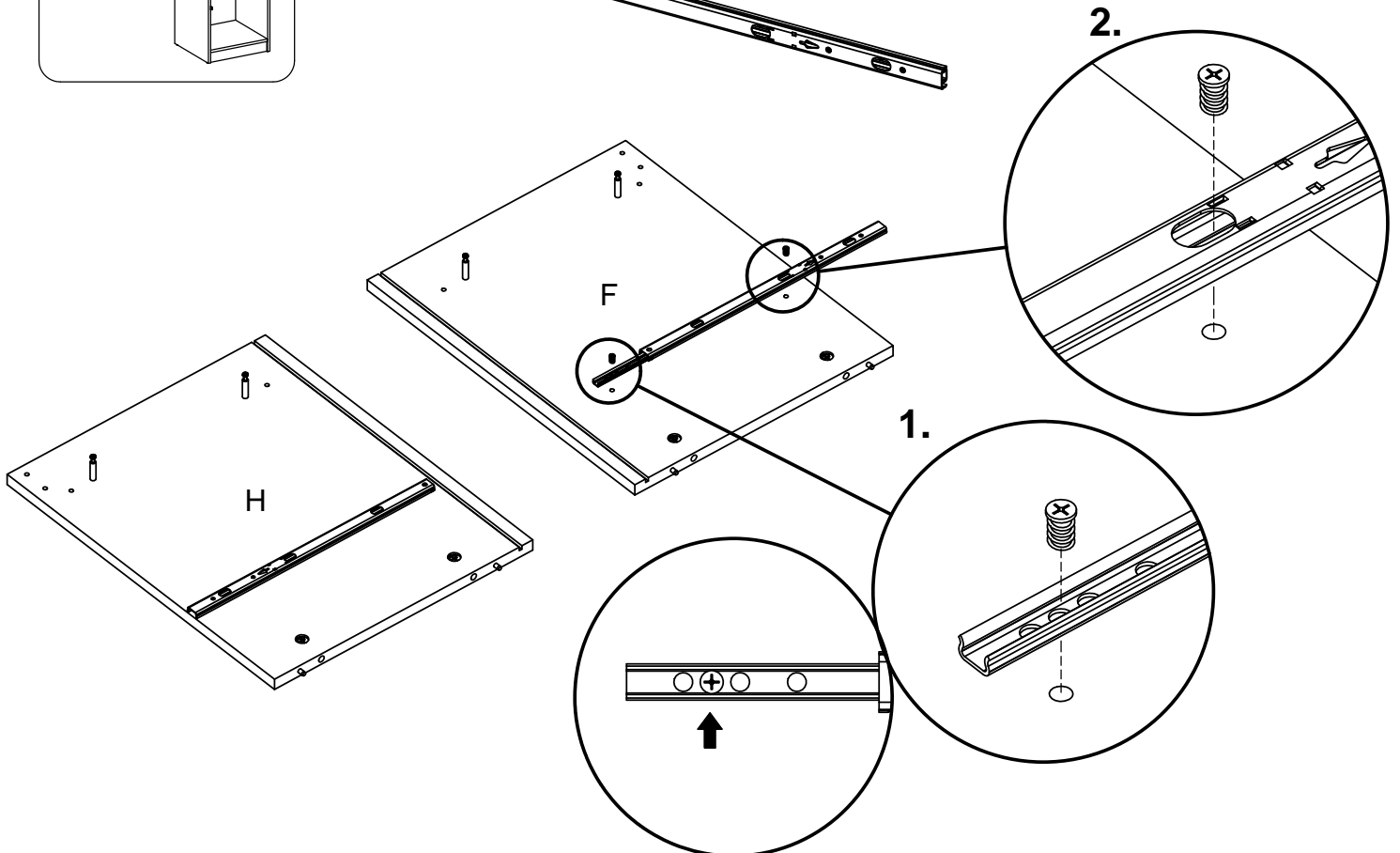
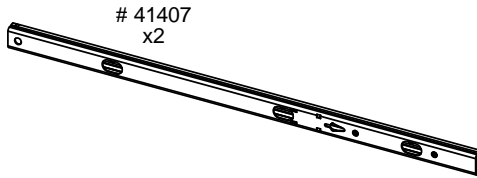
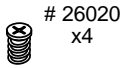
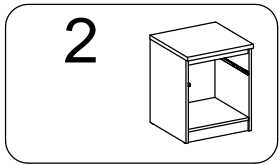
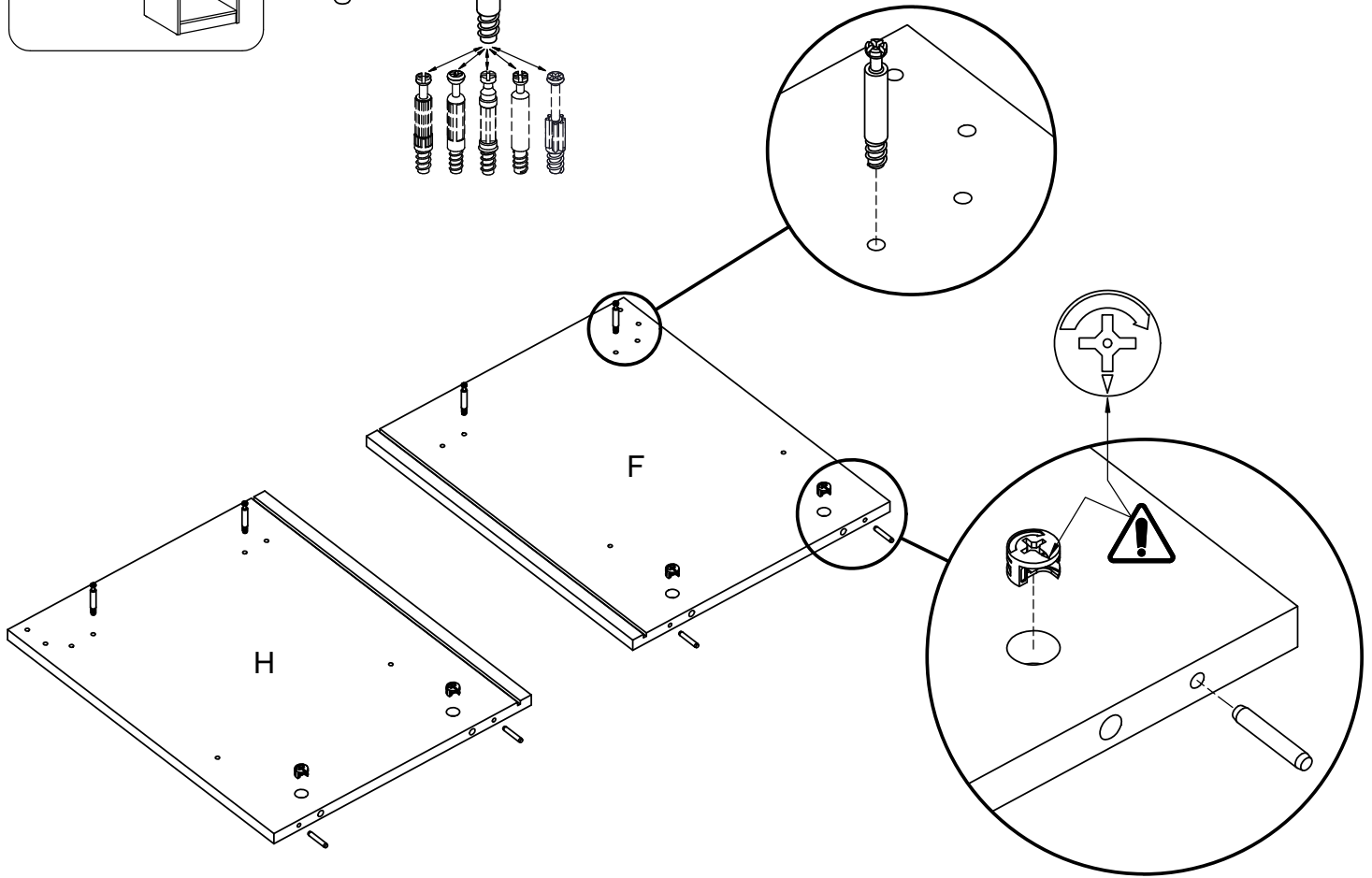
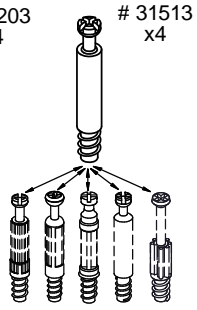
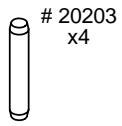
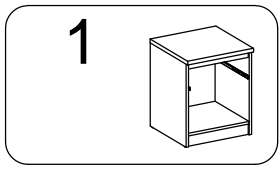


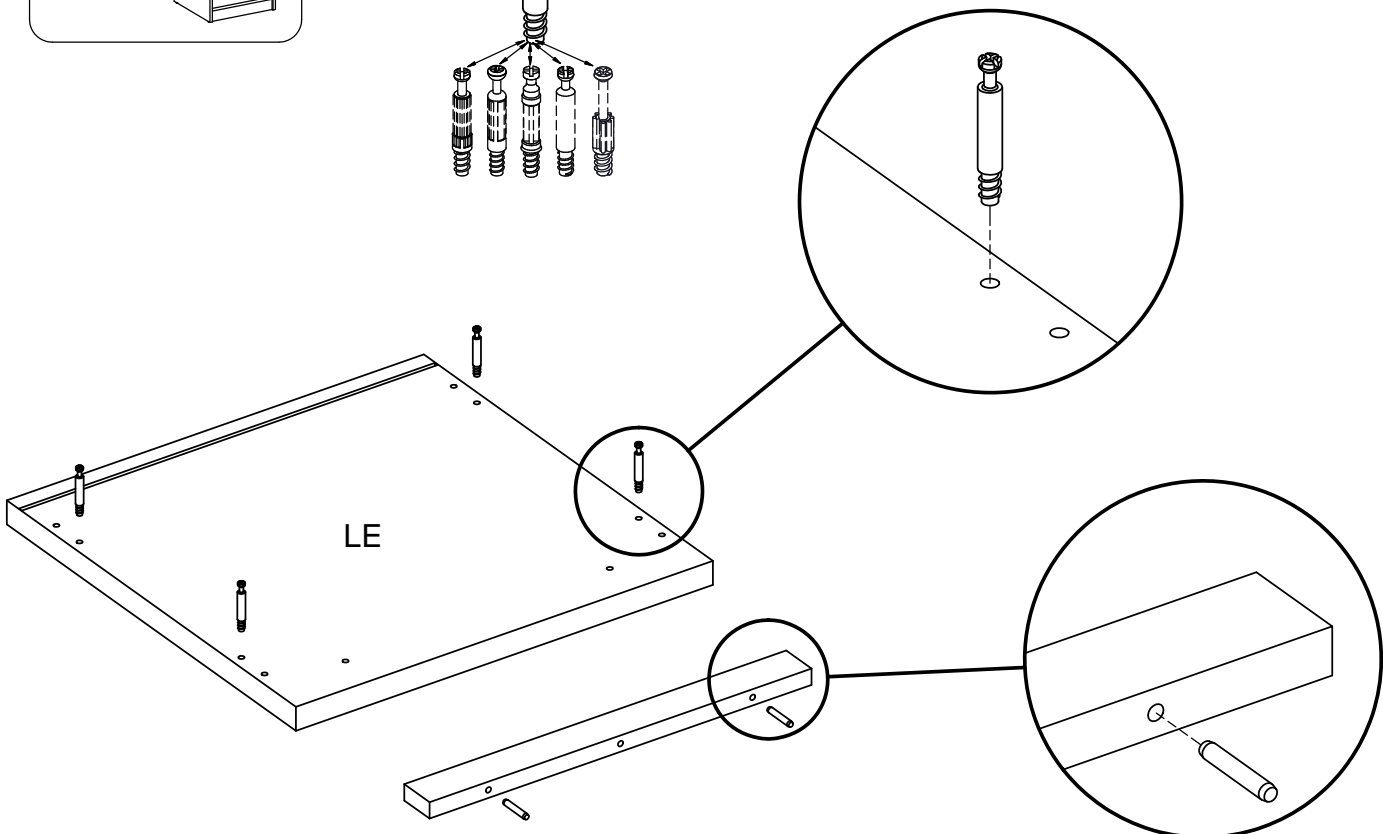
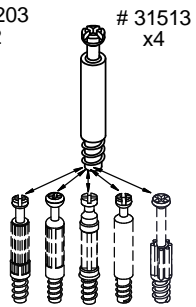
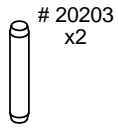
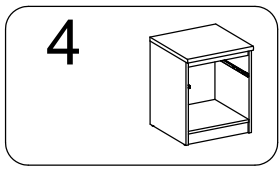
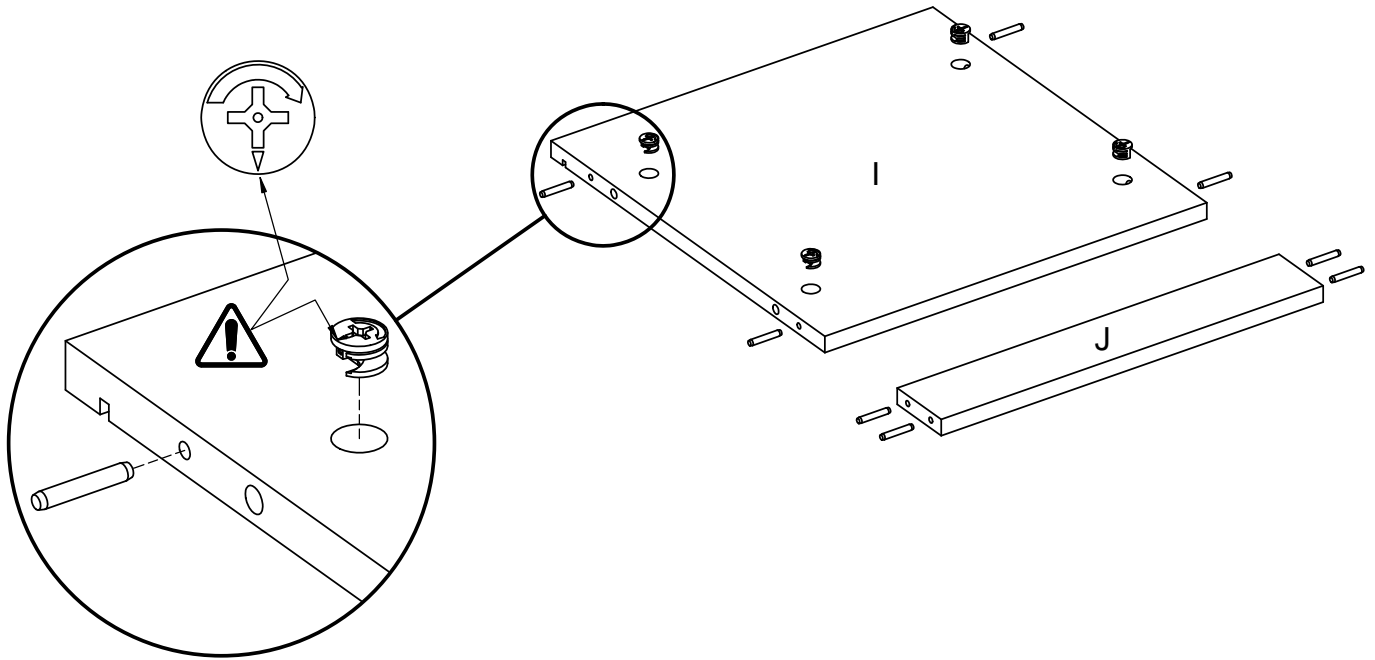
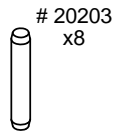
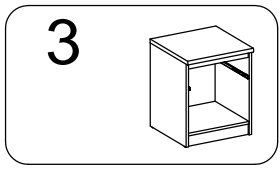
[www.tvilum.com](http://www.tvilum.com)

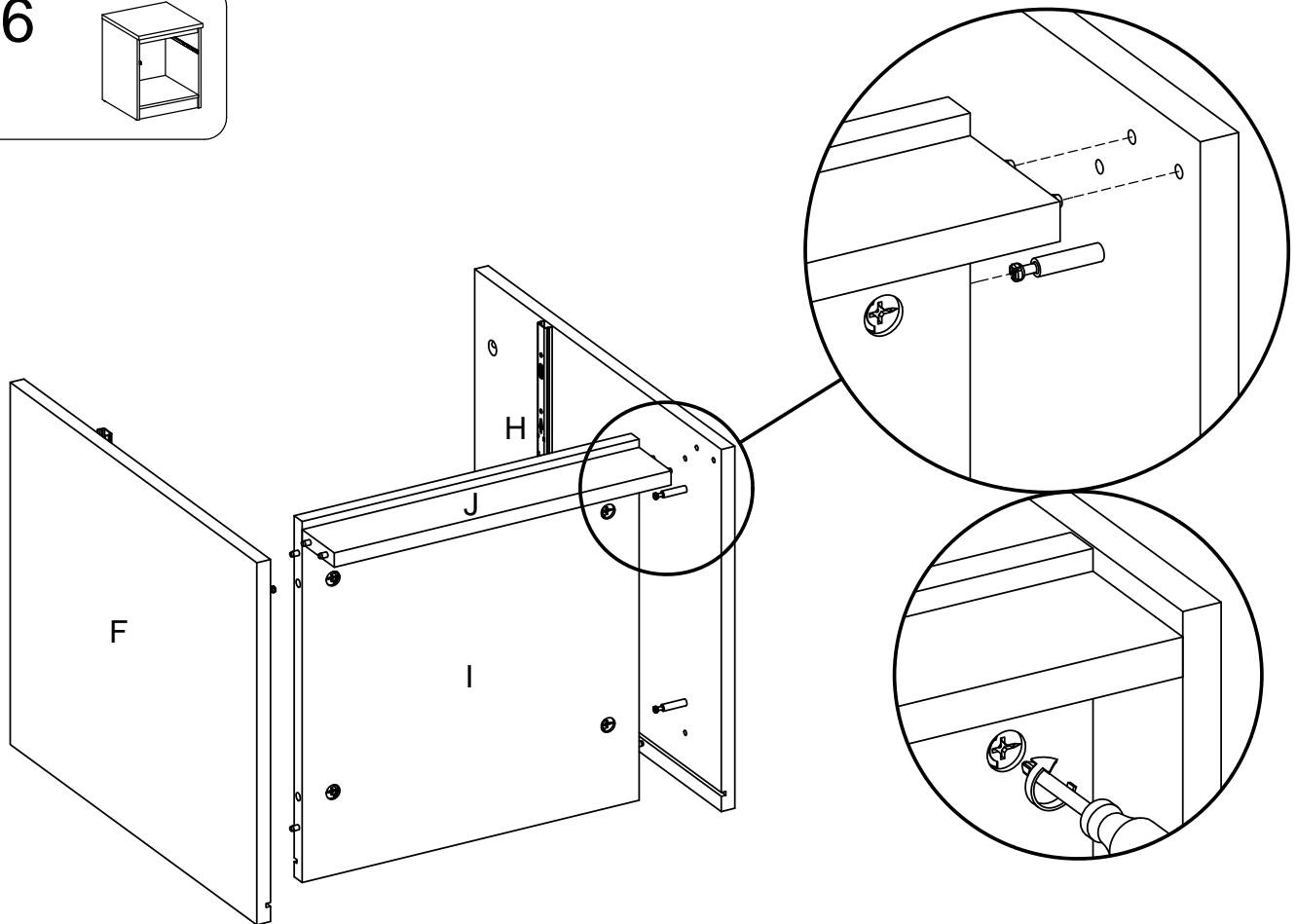
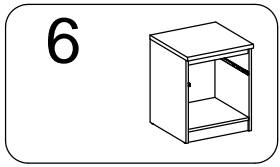
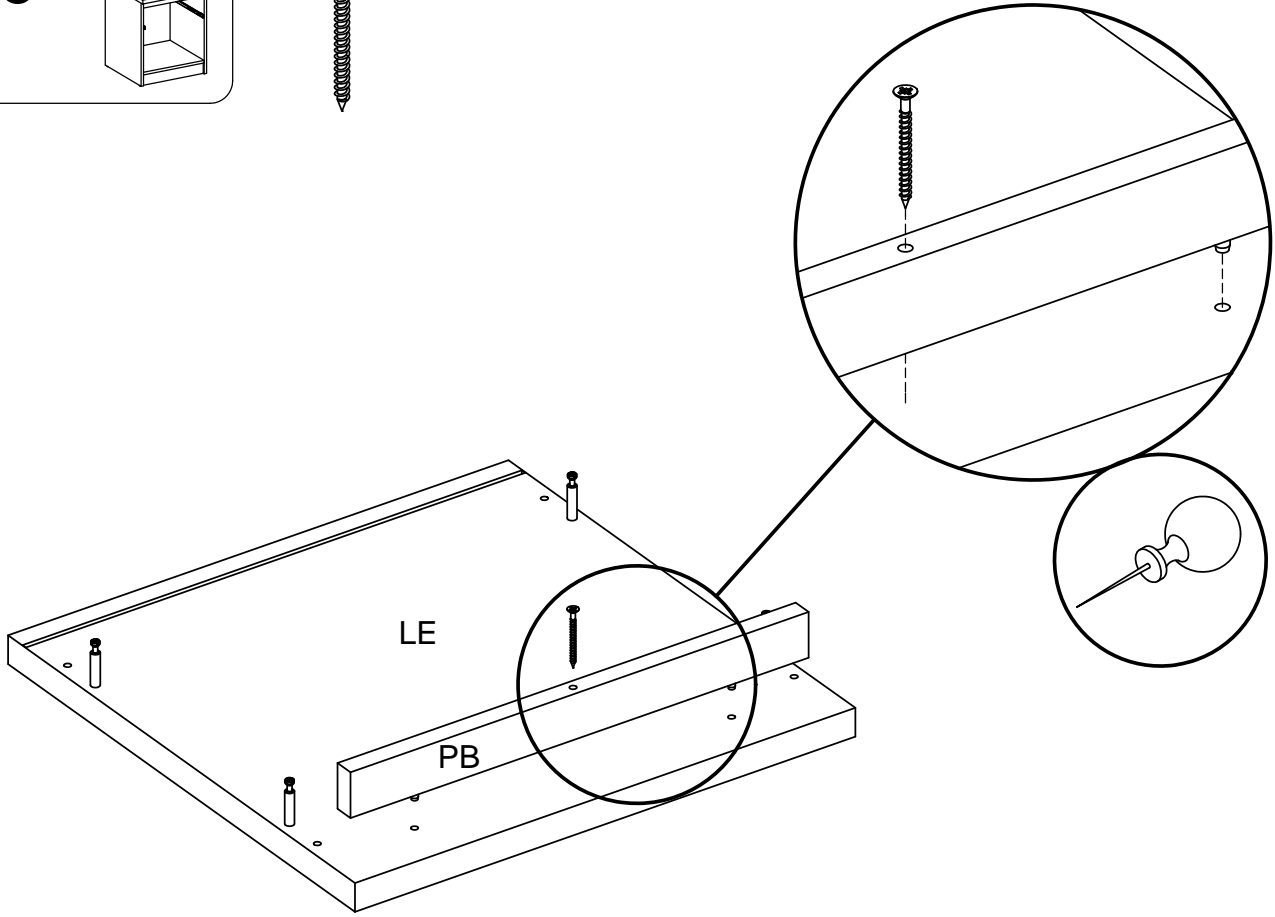
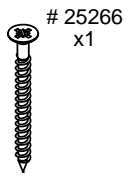
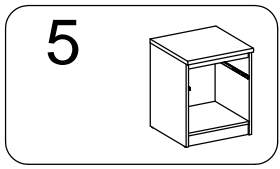


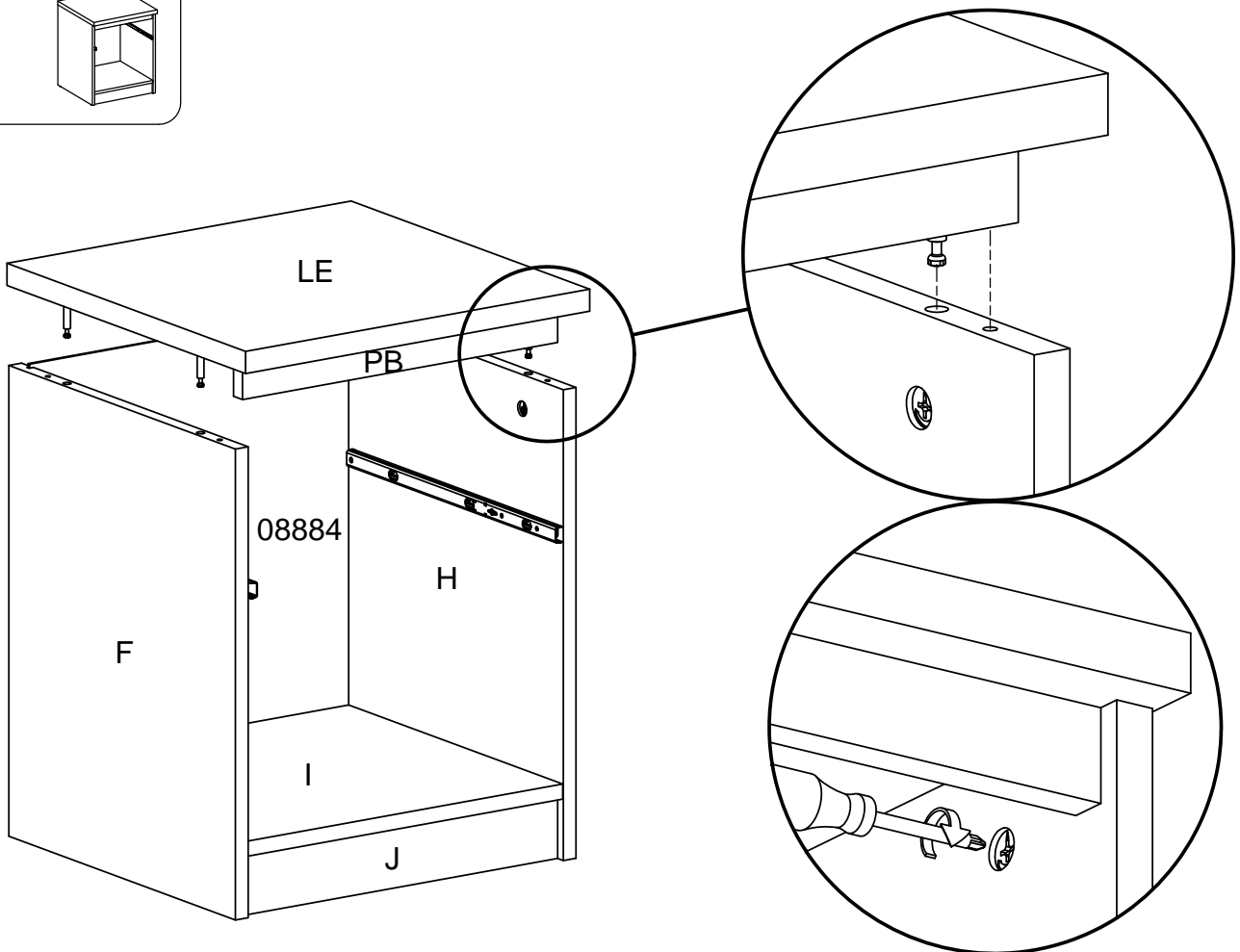
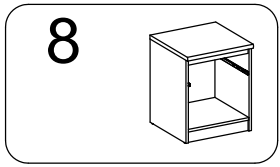
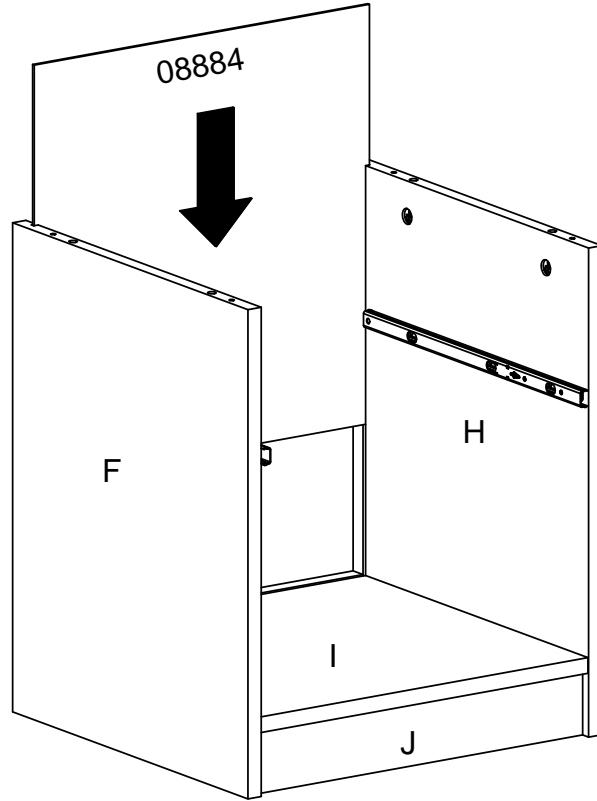
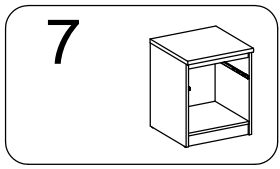


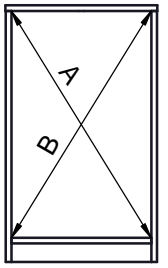
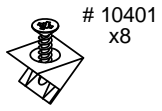
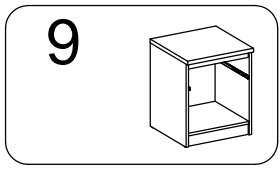




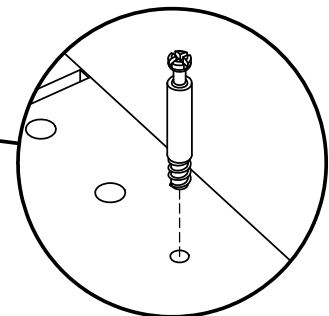
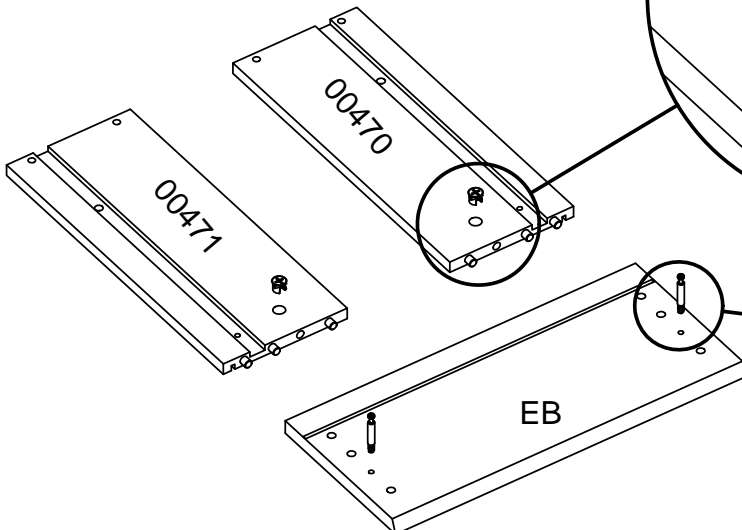
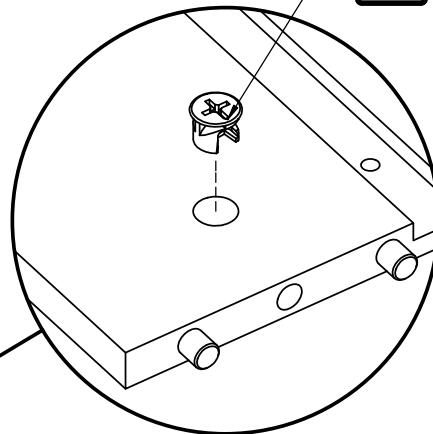
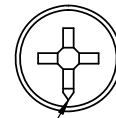
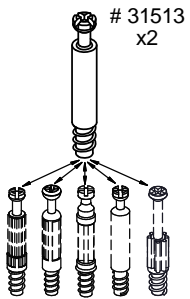
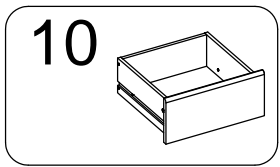
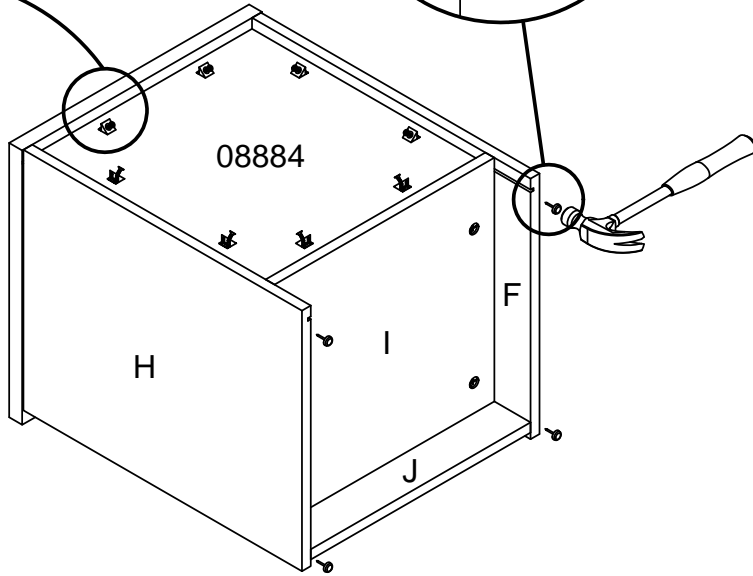
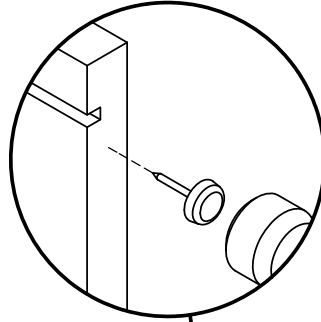
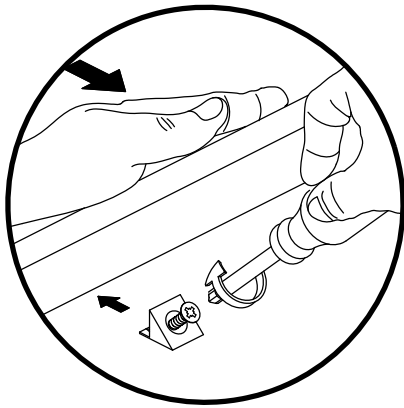
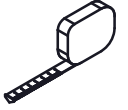




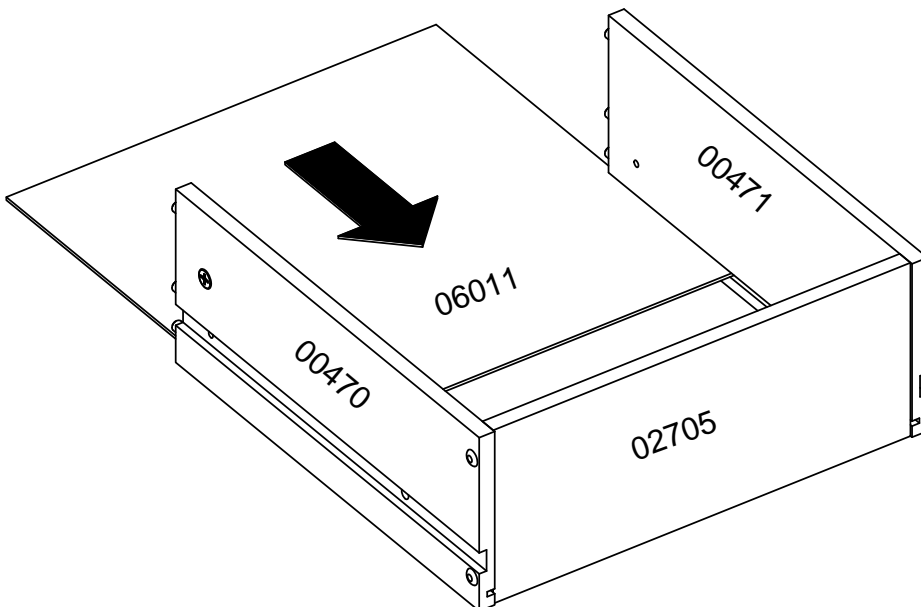
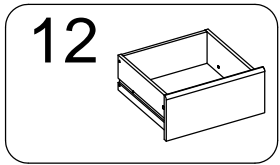
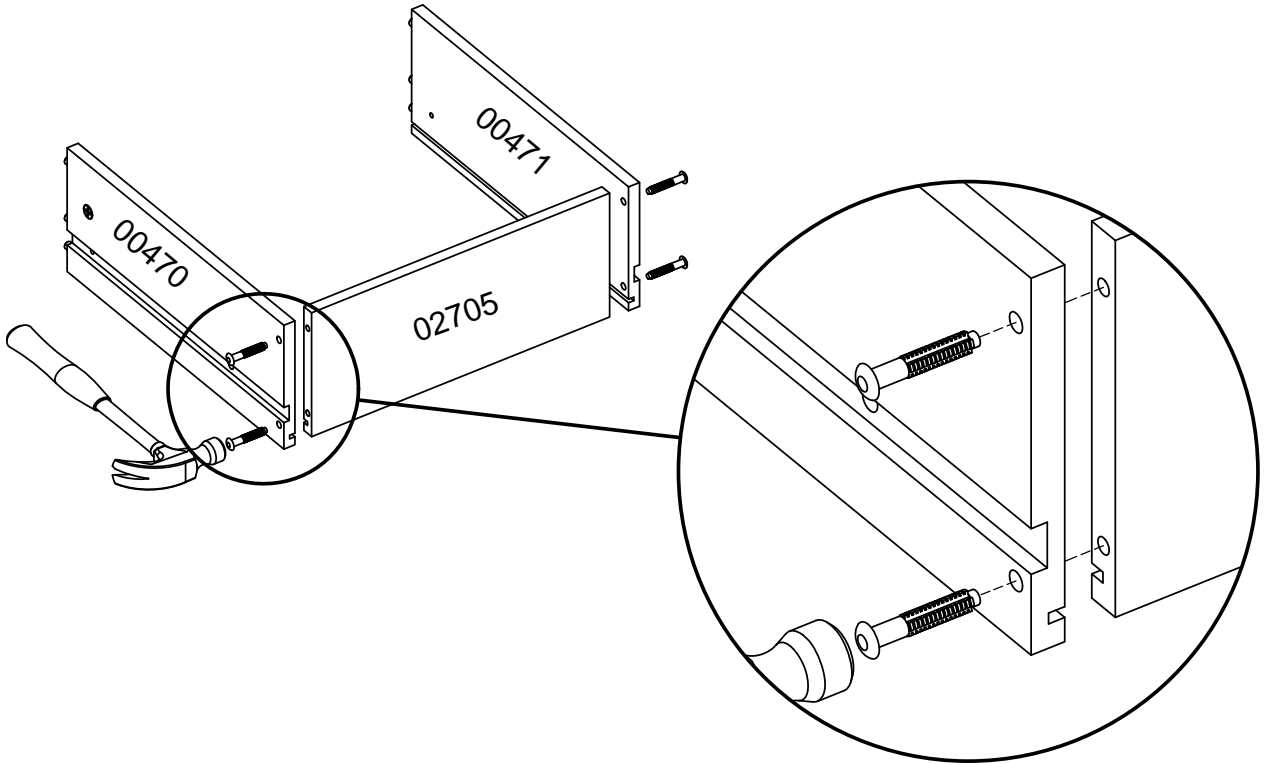
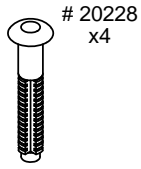
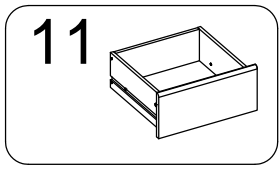




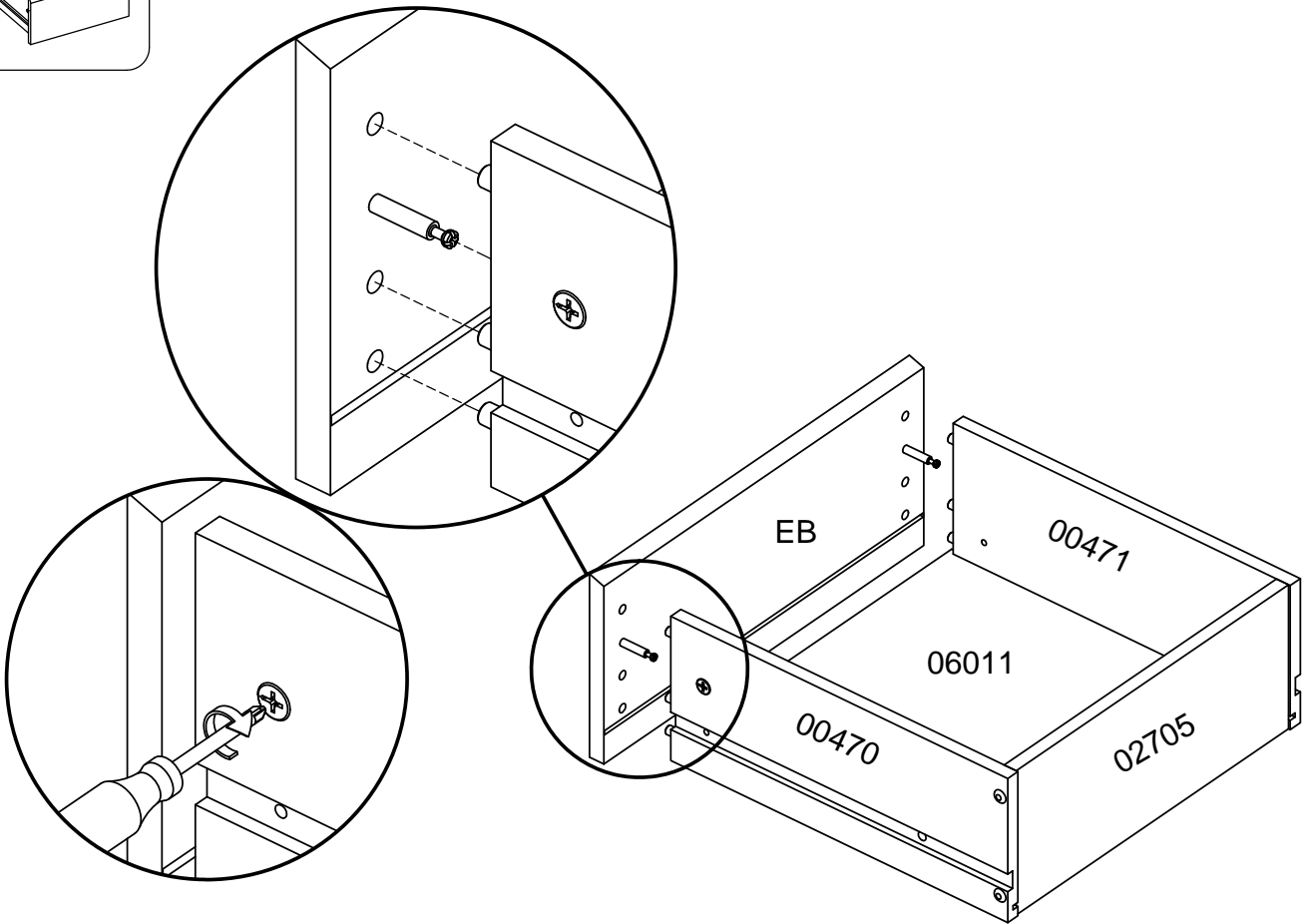
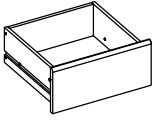
A = B



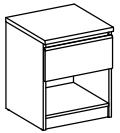




13



14



# 26214  
x2

