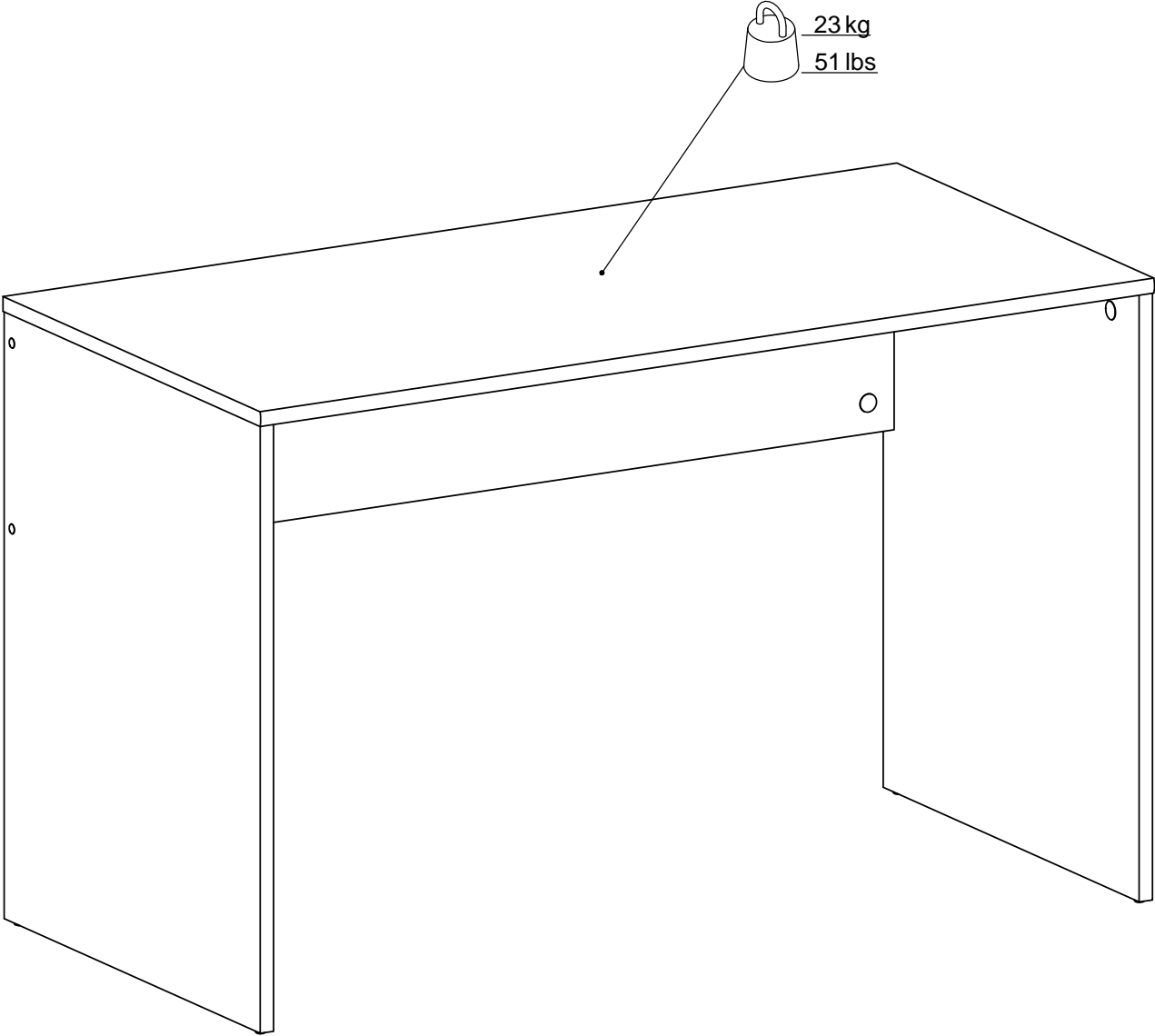
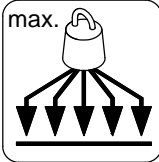


tvilum



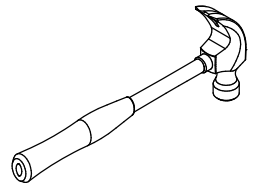
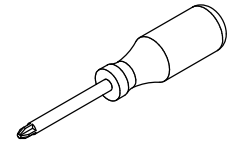
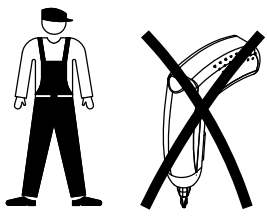
70514 A



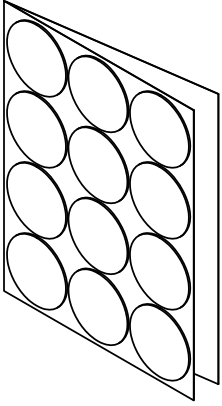
www.tvilum.com

 WE CARE Respect for nature and people <small>Read more at www.tvilum.com</small>	 WE SUPPORT
---	---





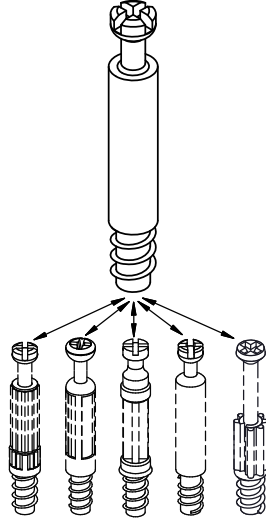
10901
x1



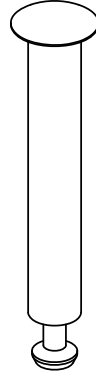
20203
x8



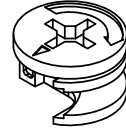
31513
x6



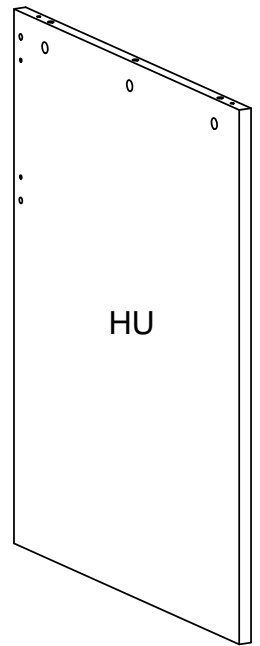
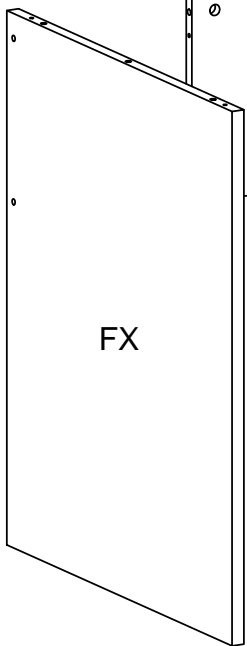
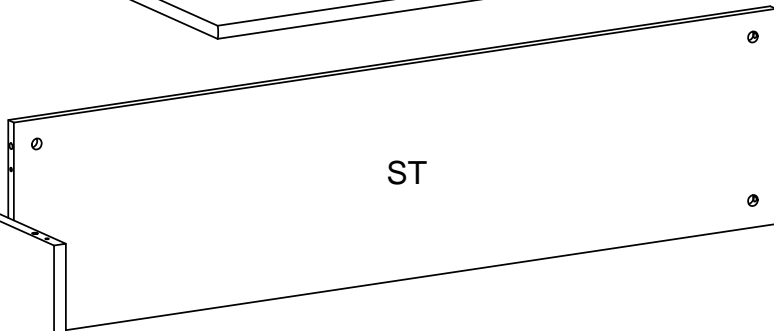
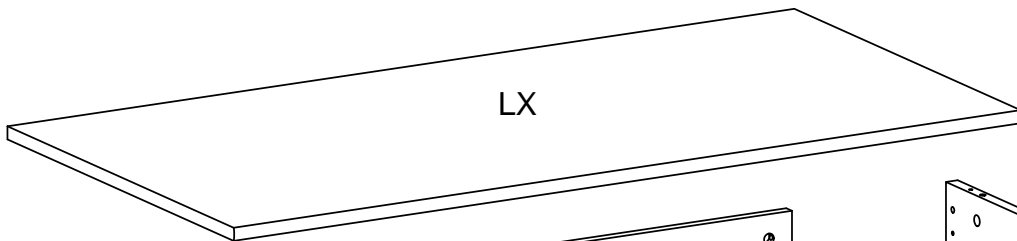
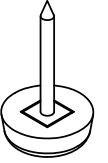
31561
x4

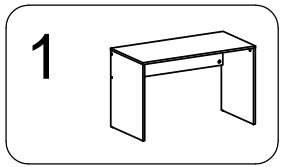


31687
x10

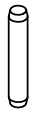


63001
x4

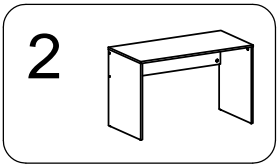
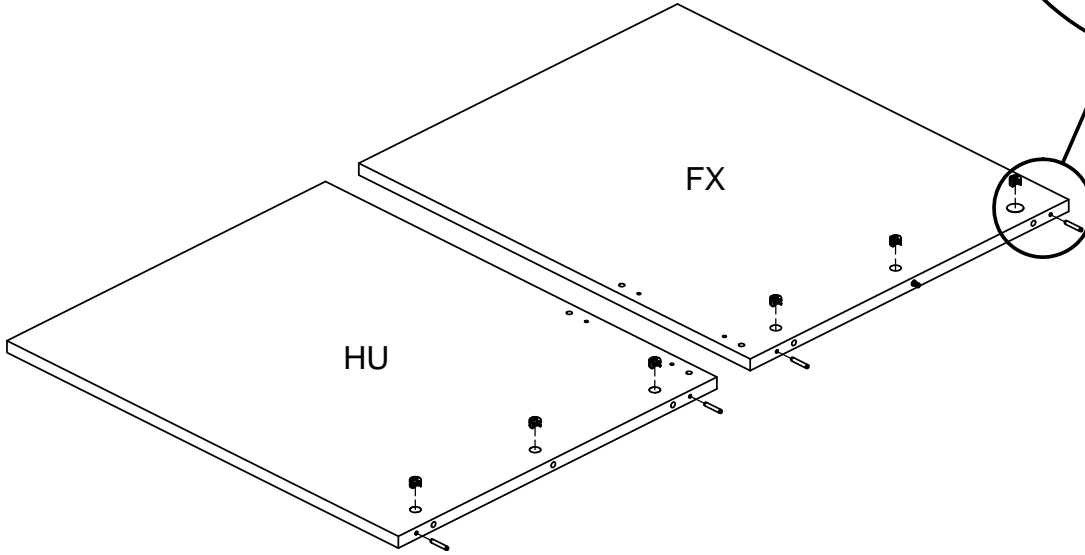
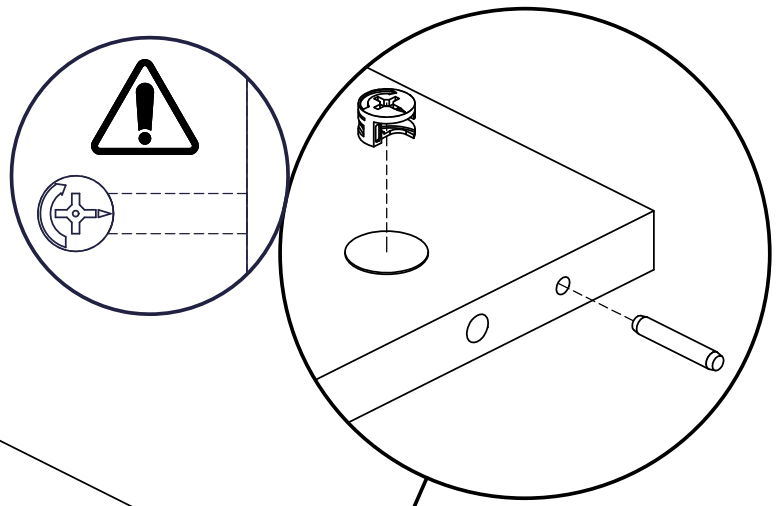




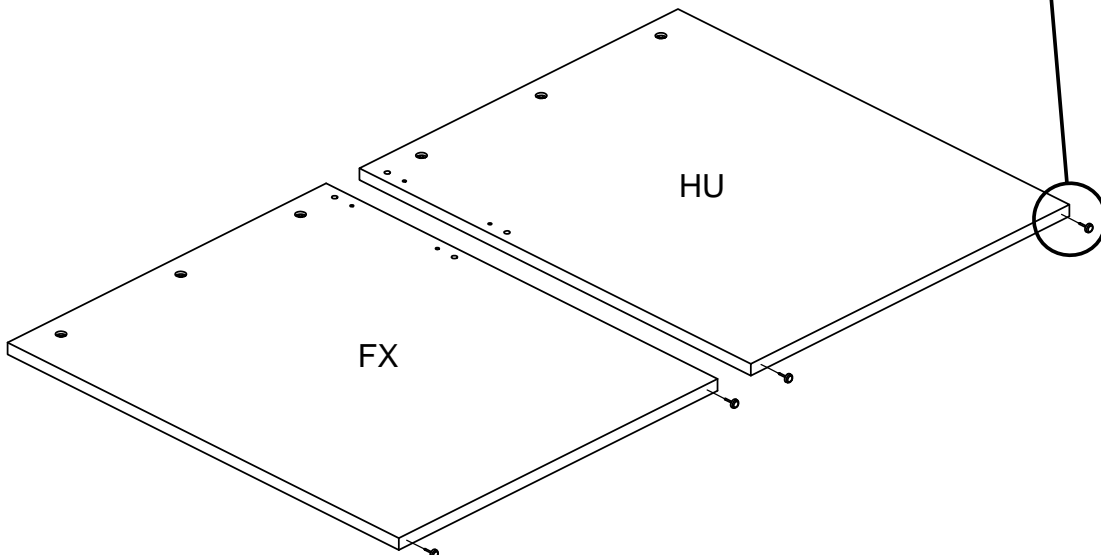
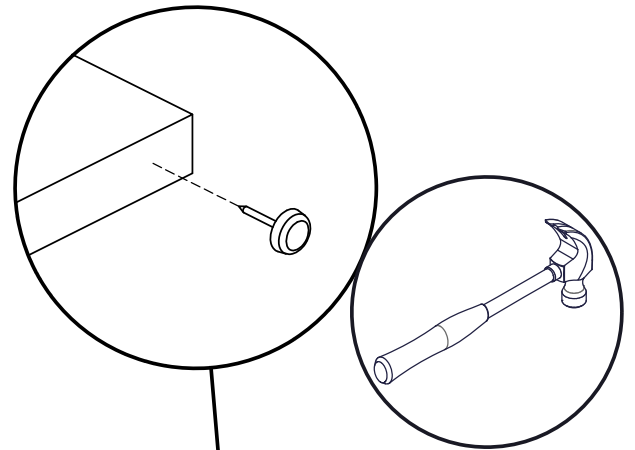
20203
x4

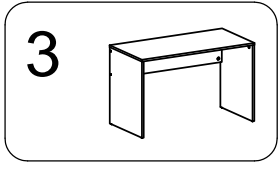


31687
x6

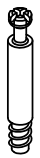
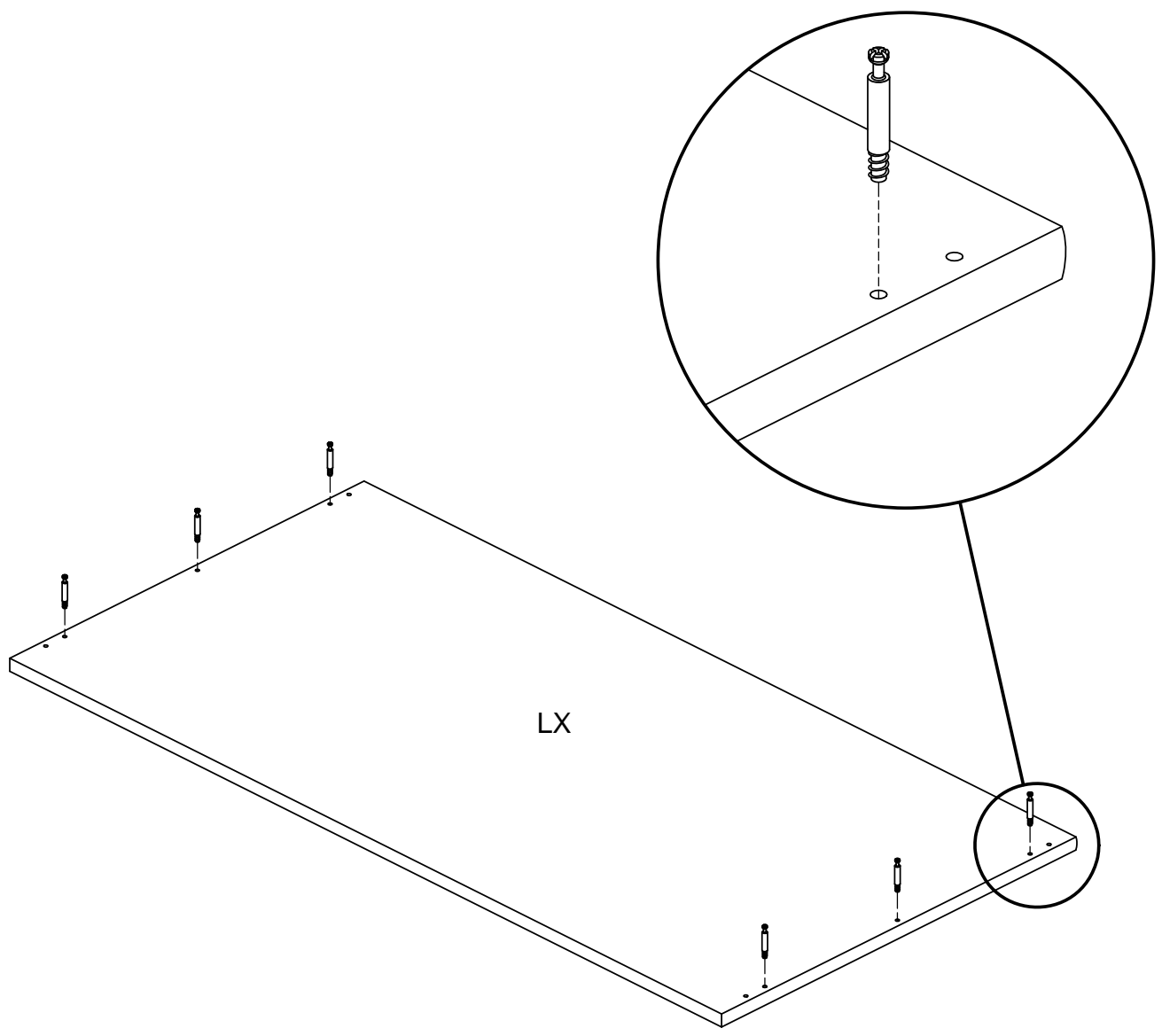


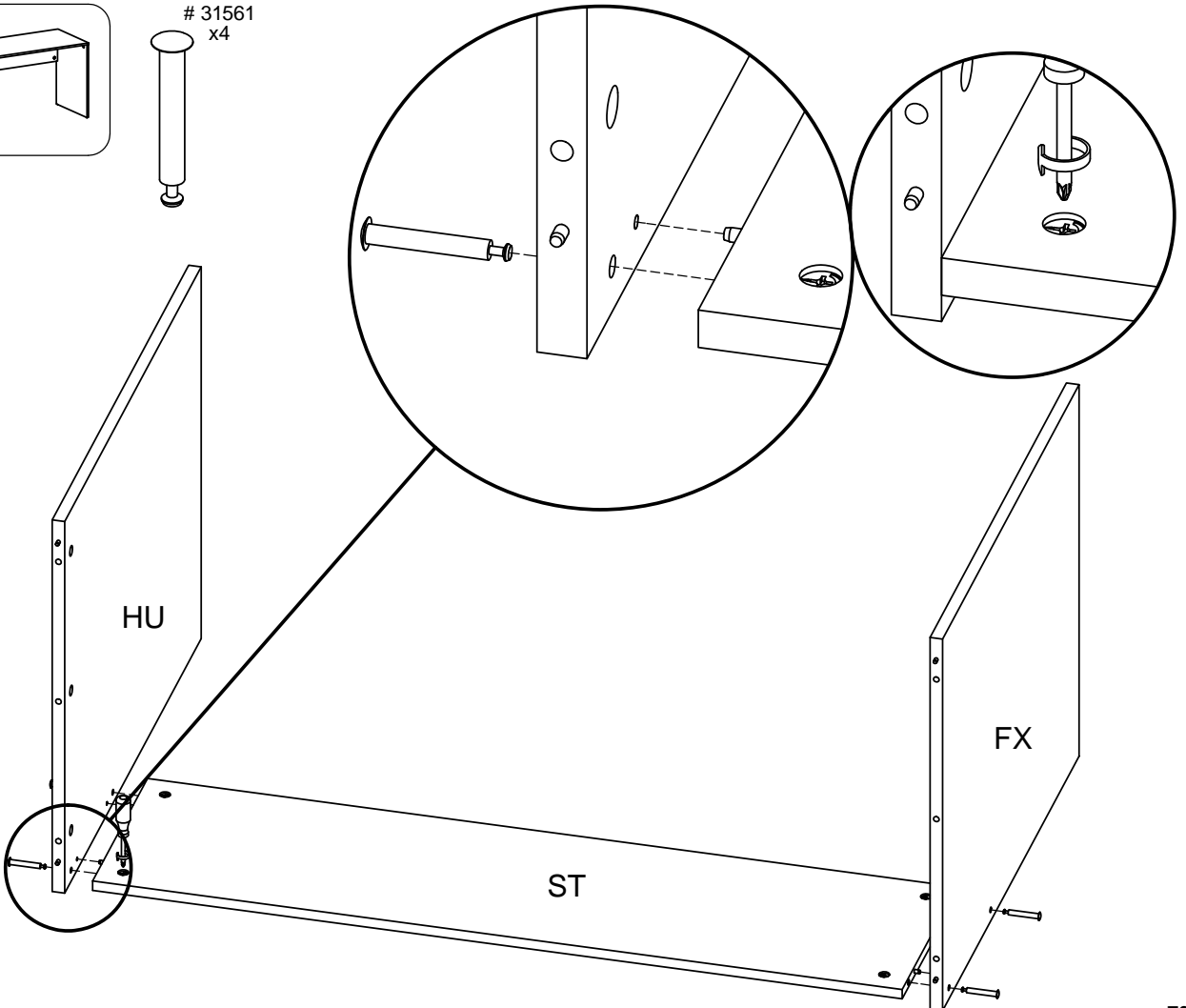
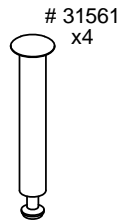
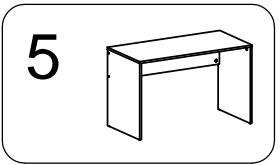
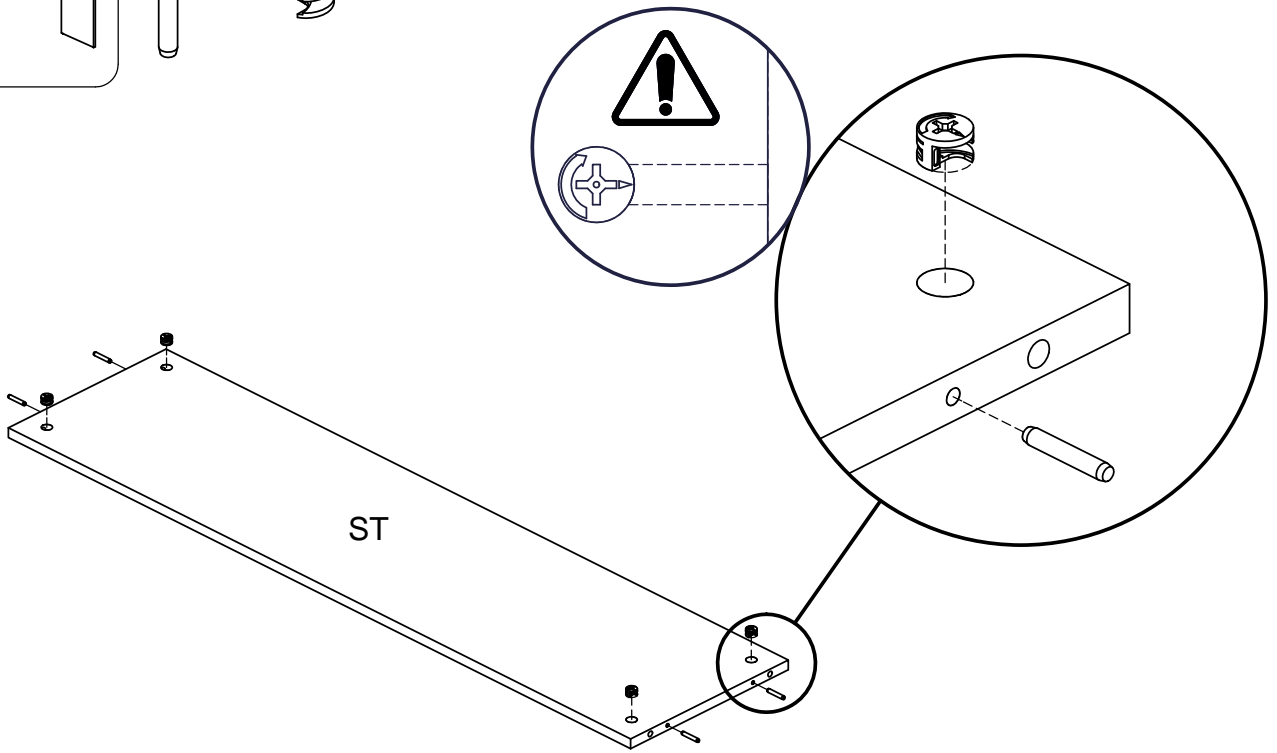
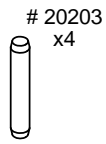
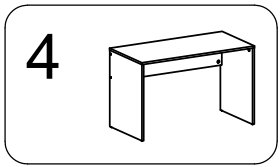
63001
x4

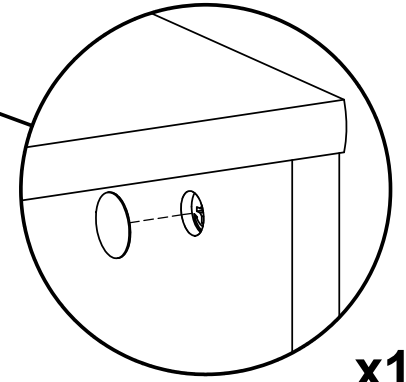
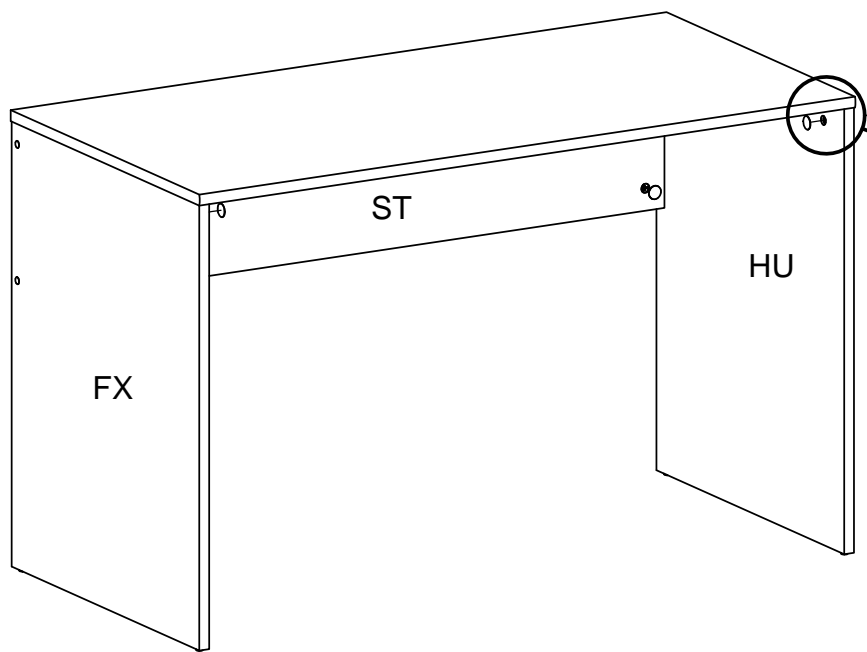
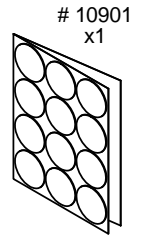
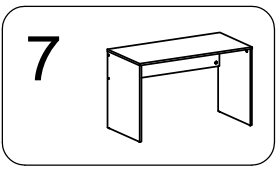
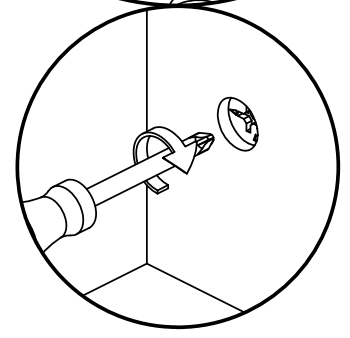
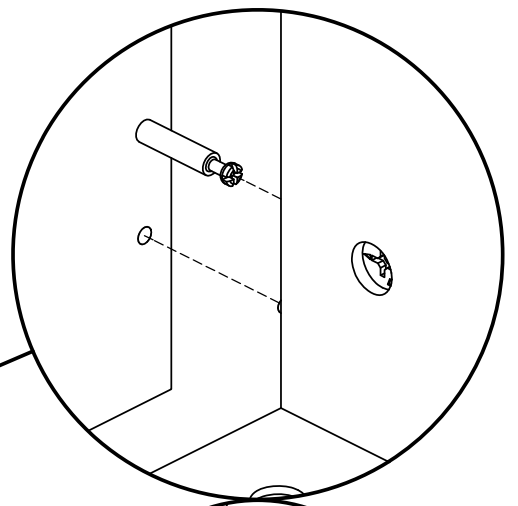
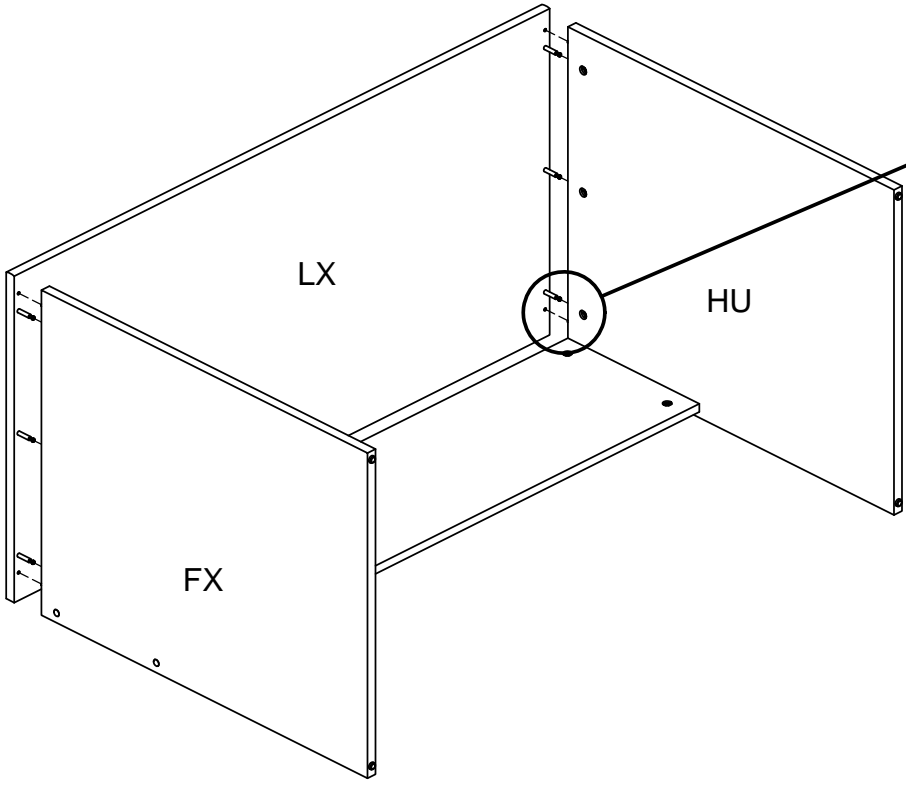
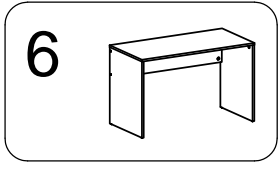




31513
x6

A detailed drawing of a screw with a hexagonal head and a threaded shaft.





x10