
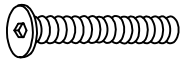


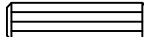




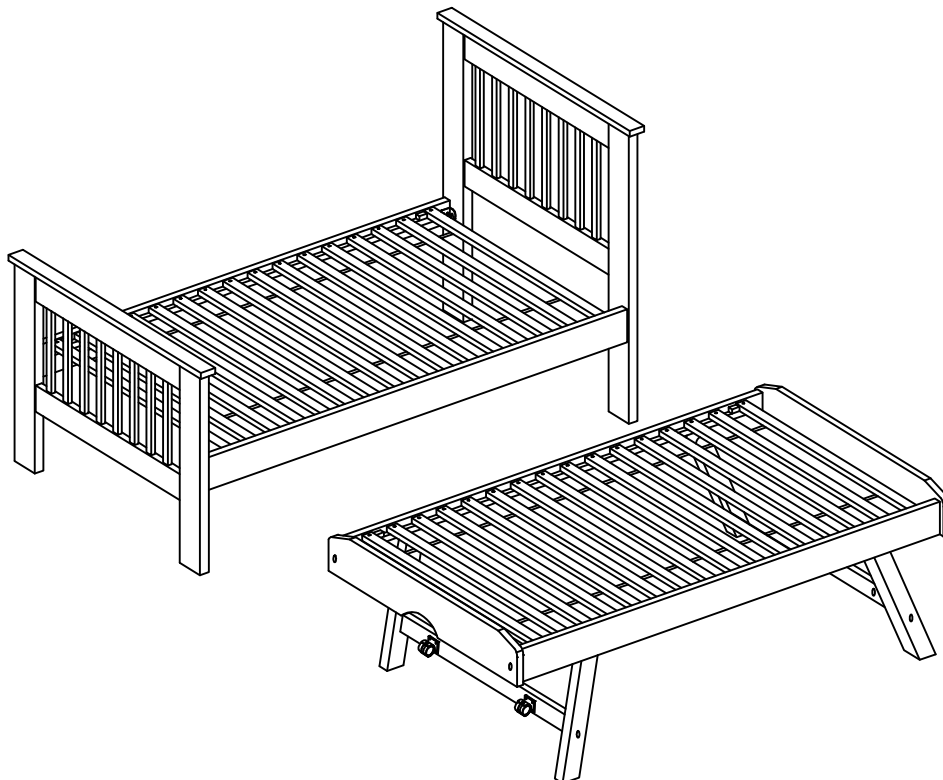


ASSEMBLY INSTRUCTIONS

PENTRE GUEST BED

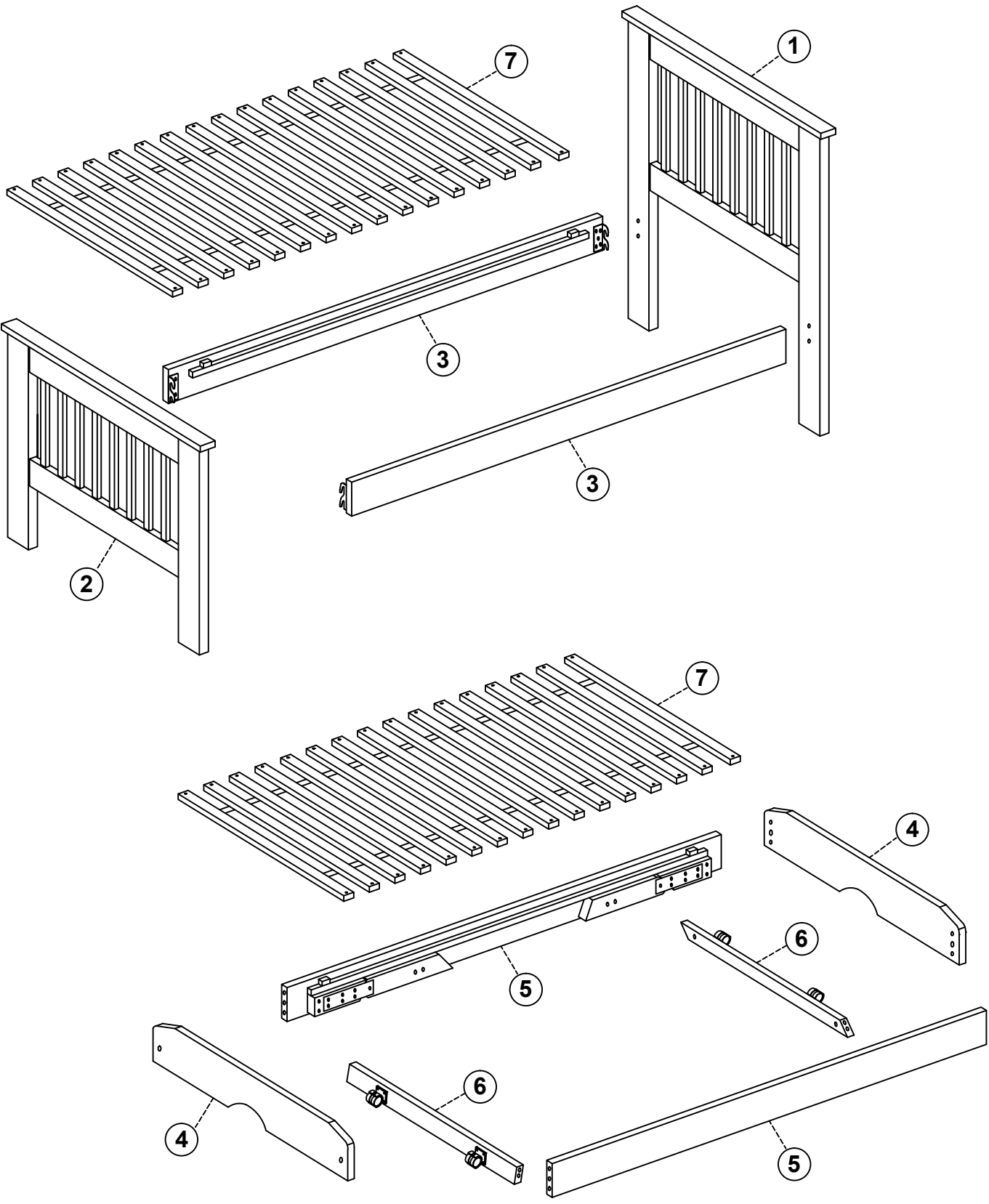
Hardware supplied for assembly

A	BOLT (5/16"x15mm)		8
B	BOLT (1/4"x70mm)		4
C	BOLT (1/4"x90mm)		4
D	BARREL NUT (1/4"x13mm)		8
E	WOOD DOWEL (8*30MM)		12
F	CASTERS		4
G	ALLEN KEY (4mm)		1
H	SCREW (4*30)		64
I	SCREW (4*15)		16



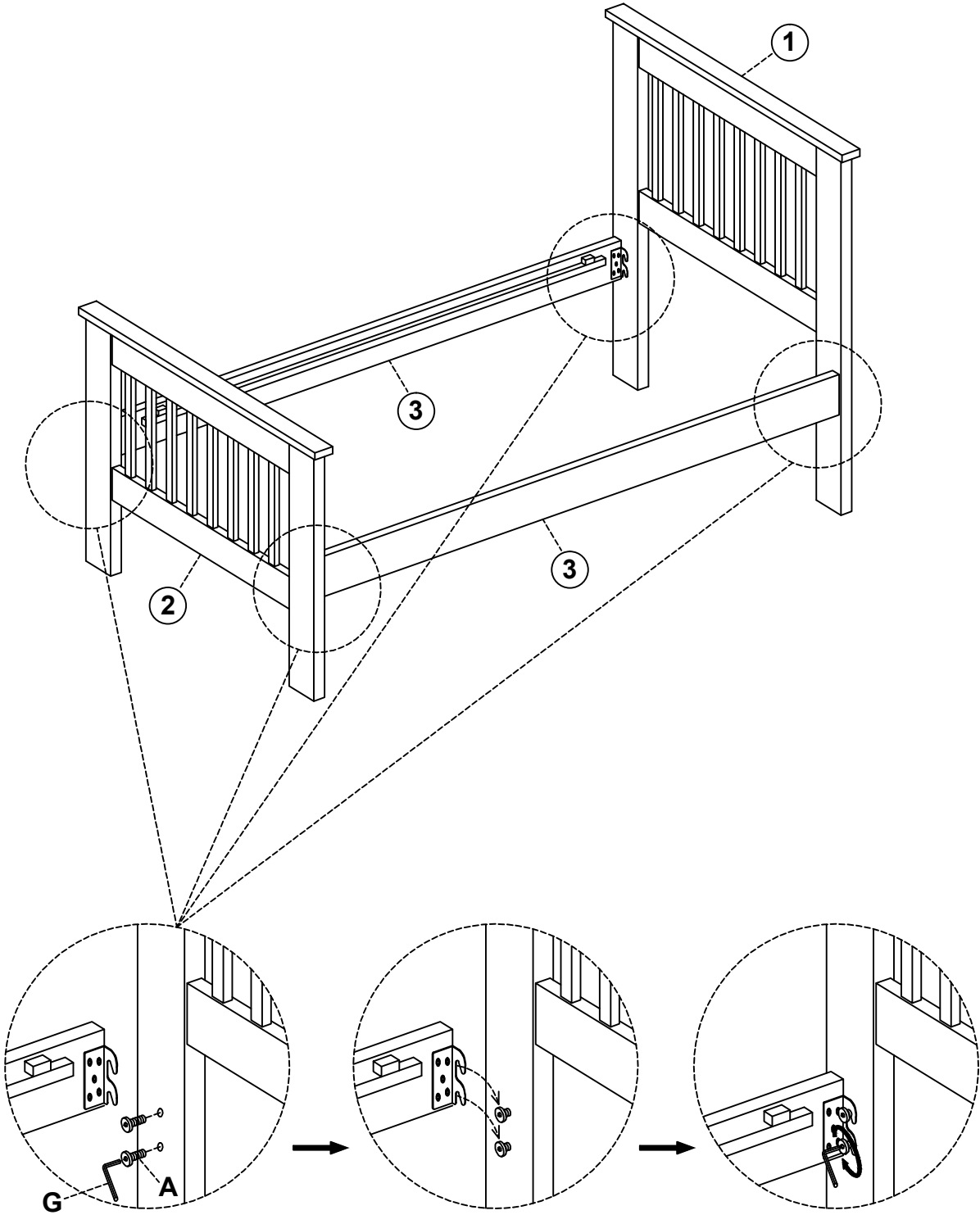
ASSEMBLY INSTRUCTIONS

PENTRE GUEST BED



ASSEMBLY INSTRUCTIONS

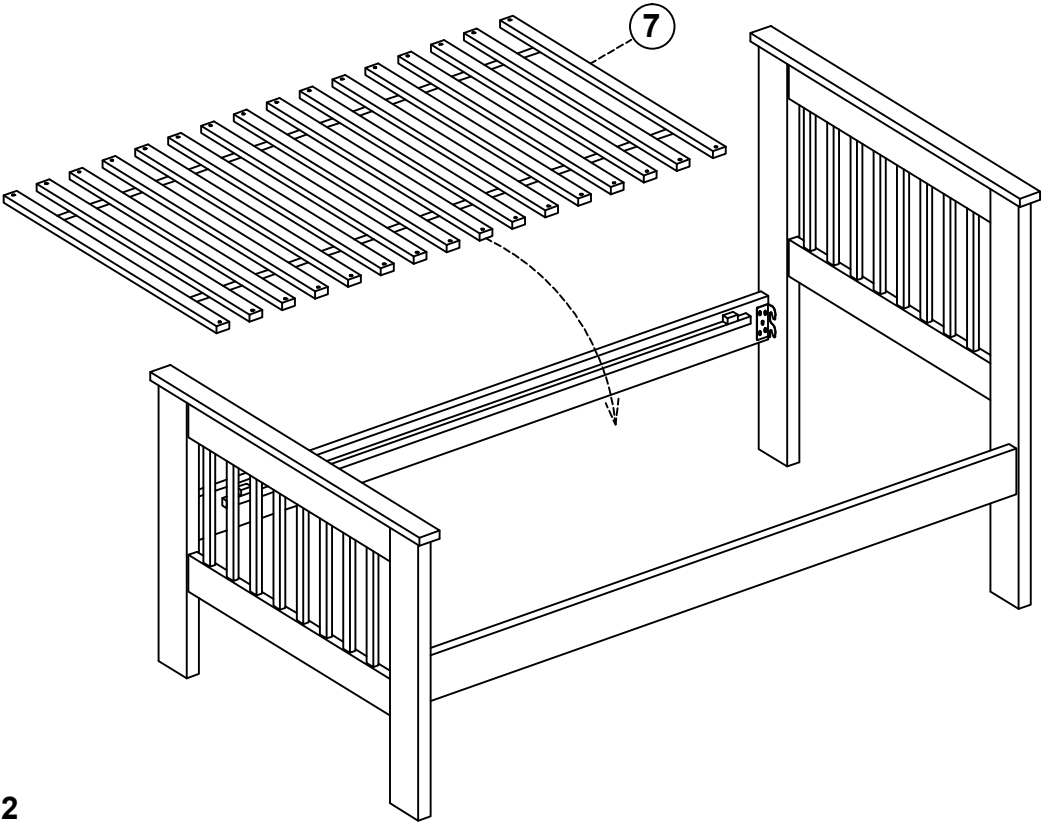
PENTRE GUEST BED



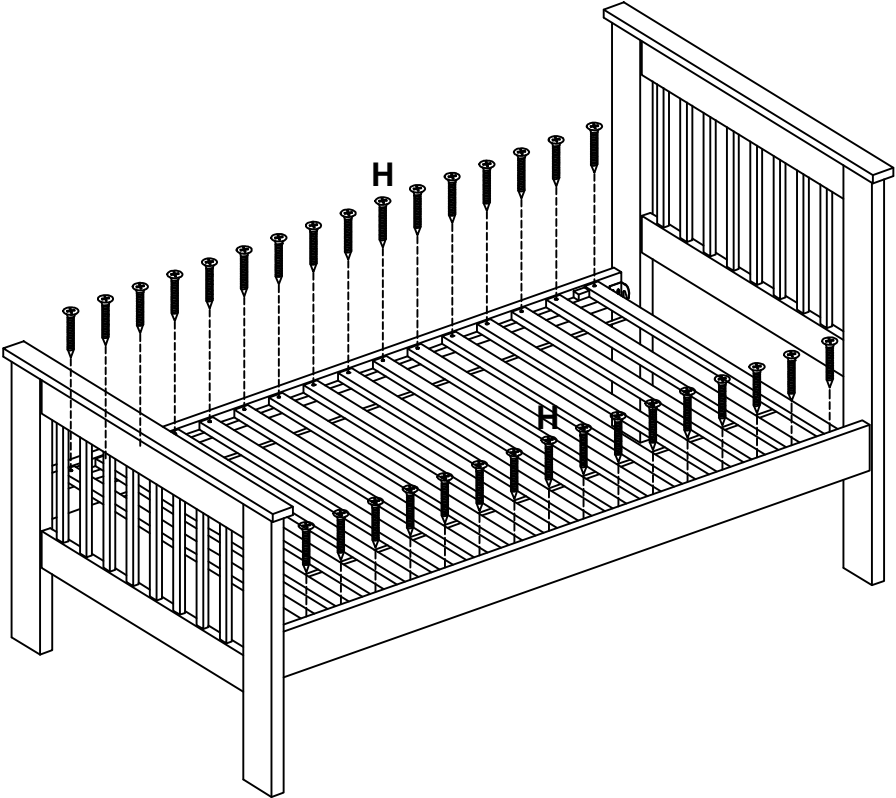
STEP 1

ASSEMBLY INSTRUCTIONS

PENTRE GUEST BED



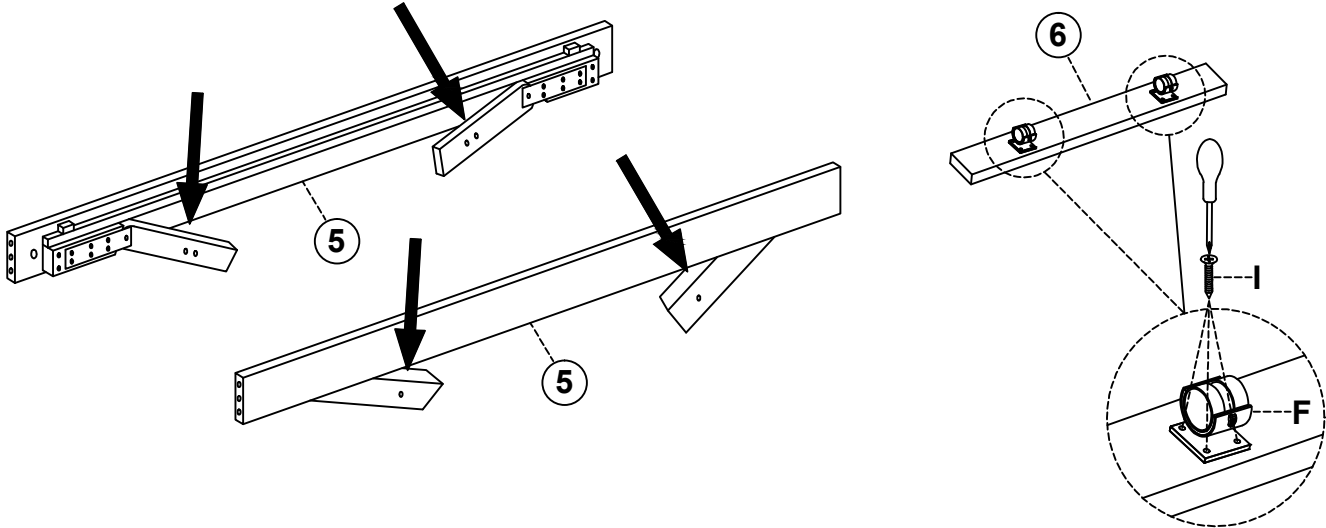
STEP 2



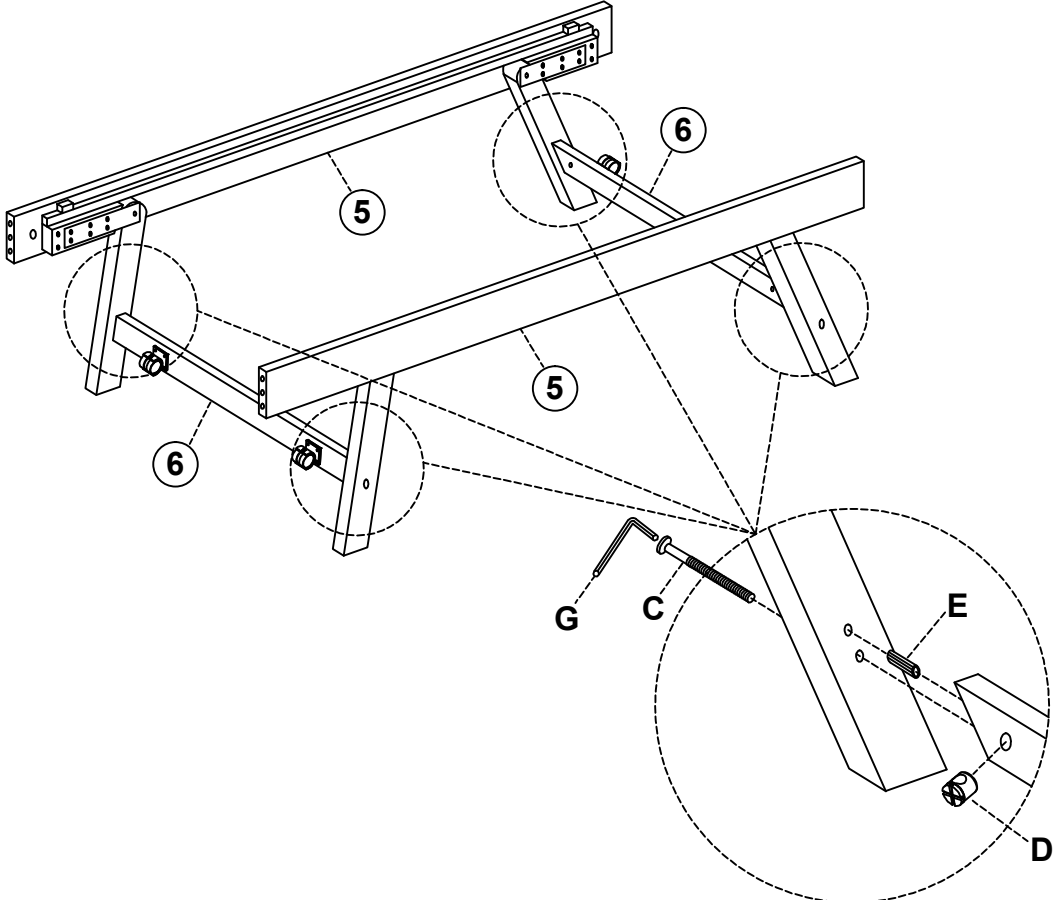
STEP 3

ASSEMBLY INSTRUCTIONS

PENTRE GUEST BED



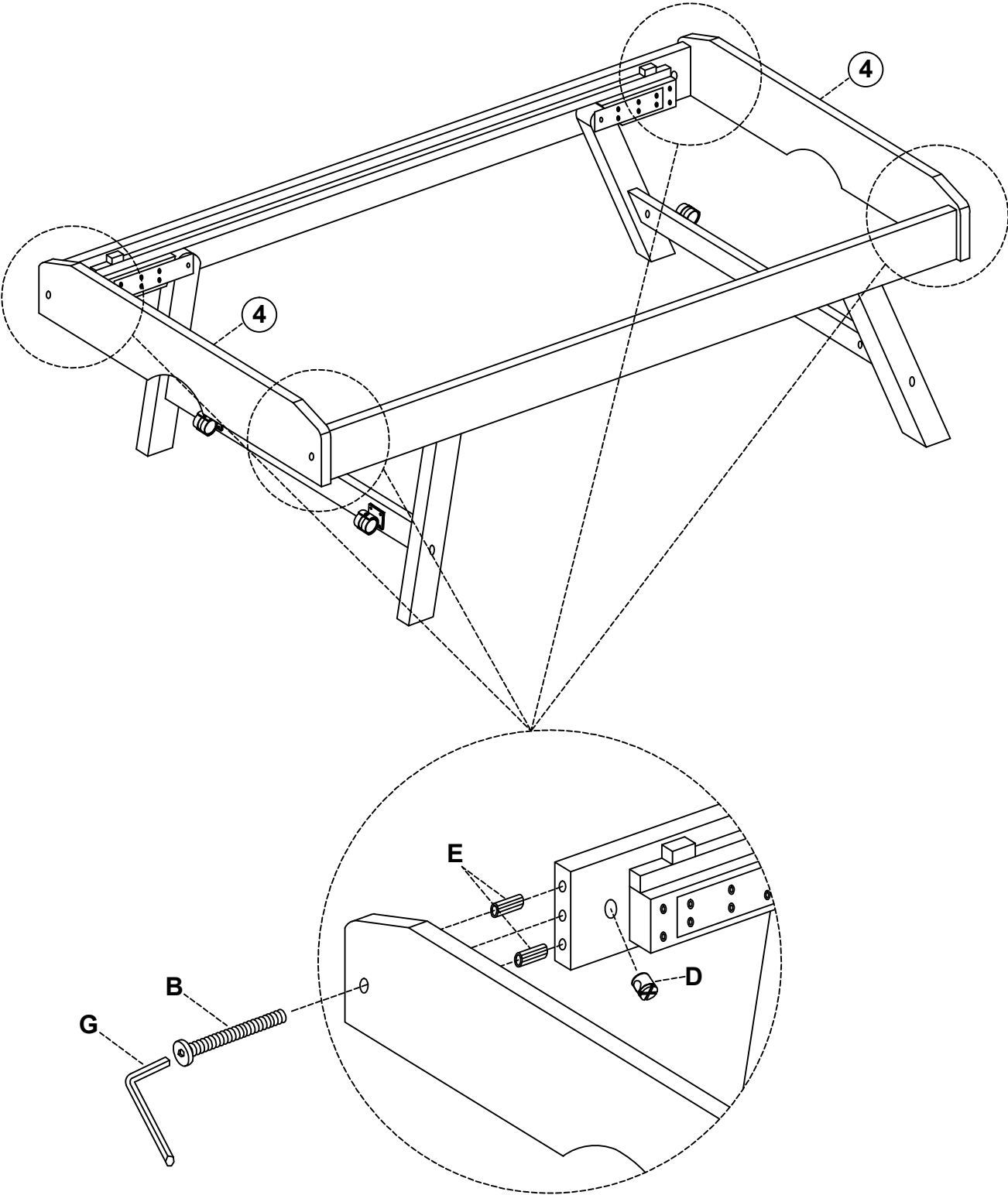
STEP 4



STEP 5

ASSEMBLY INSTRUCTIONS

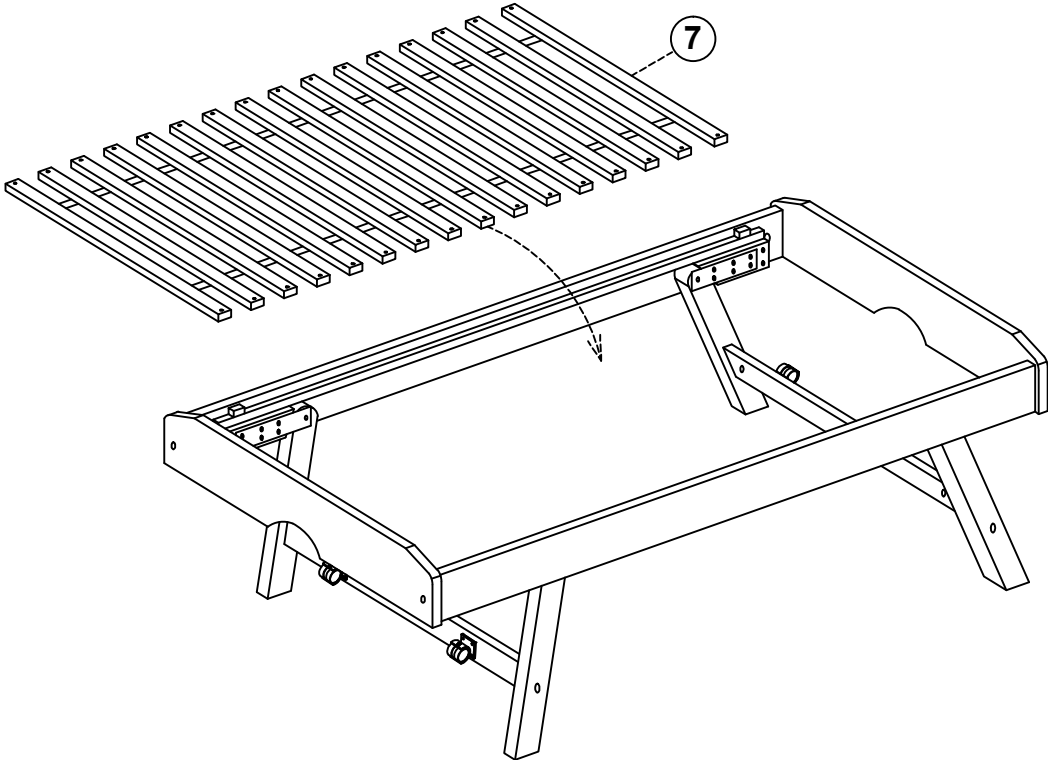
PENTRE GUEST BED



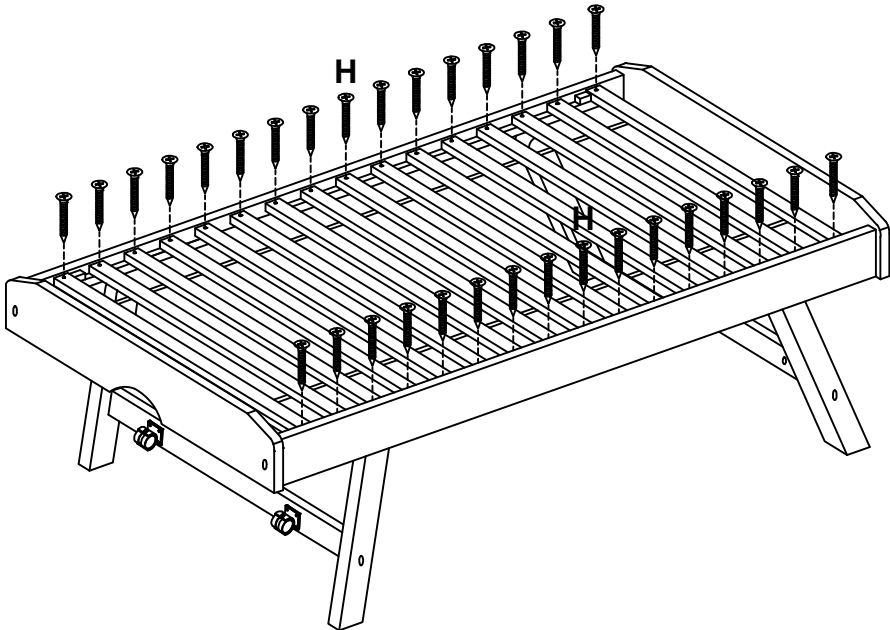
STEP 6

ASSEMBLY INSTRUCTIONS

PENTRE GUEST BED



STEP 7



STEP 8