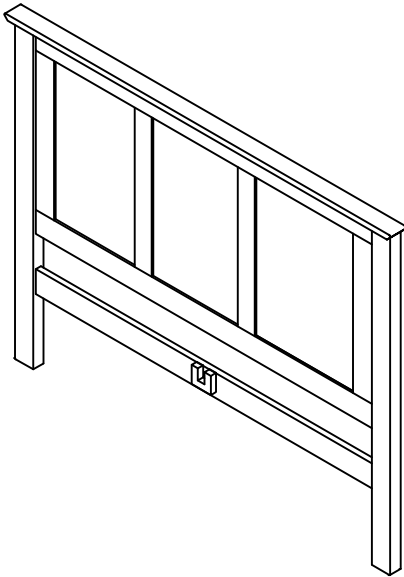


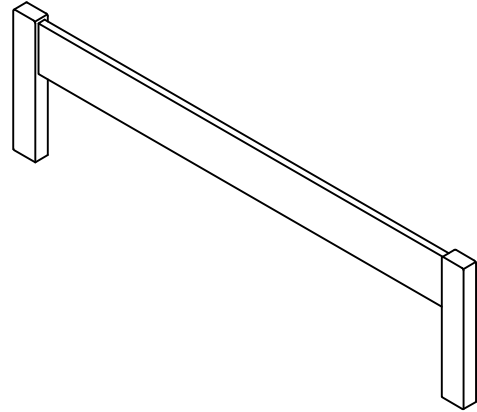
# ASSEMBLY INSTRUCTIONS - CONWAY 4'6 BED

## LIST OF PARTS

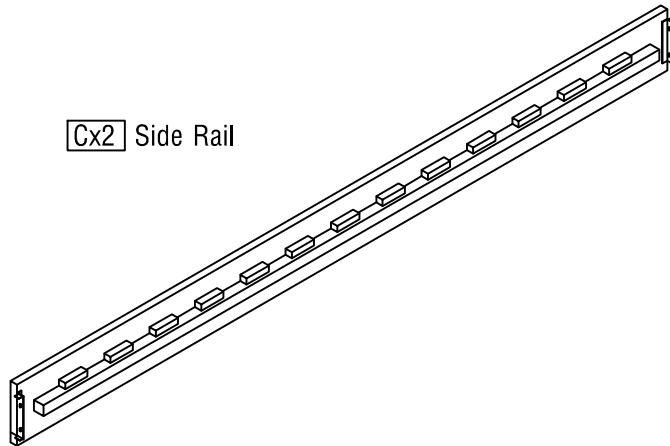
Ax1 Headboard



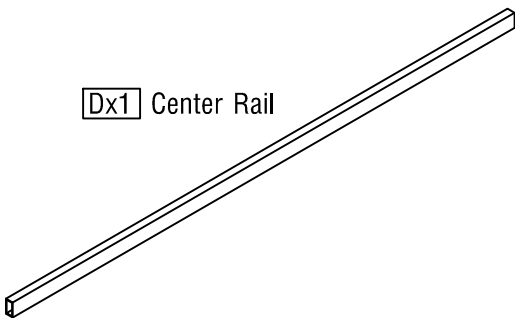
Bx1 Footboard



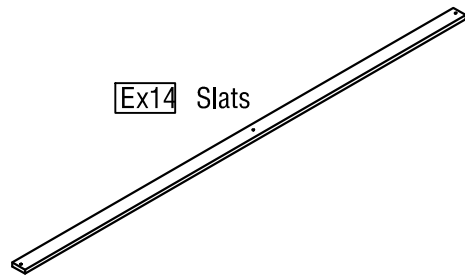
Cx2 Side Rail



Dx1 Center Rail



Ex14 Slats



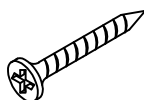
## HARDWARE

① Bolts - M6x12



8pcs

② Screw - 4x30



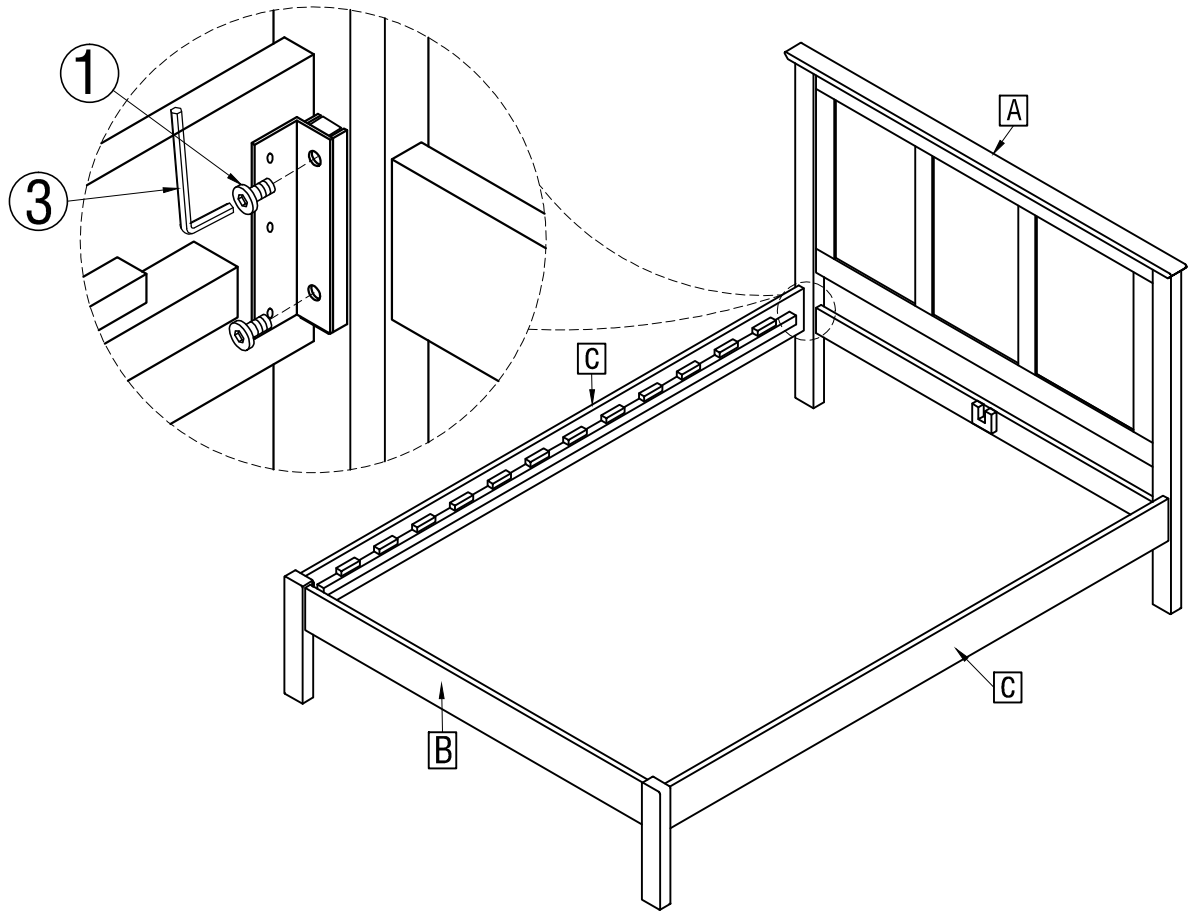
28pcs

③ Allen key - M4

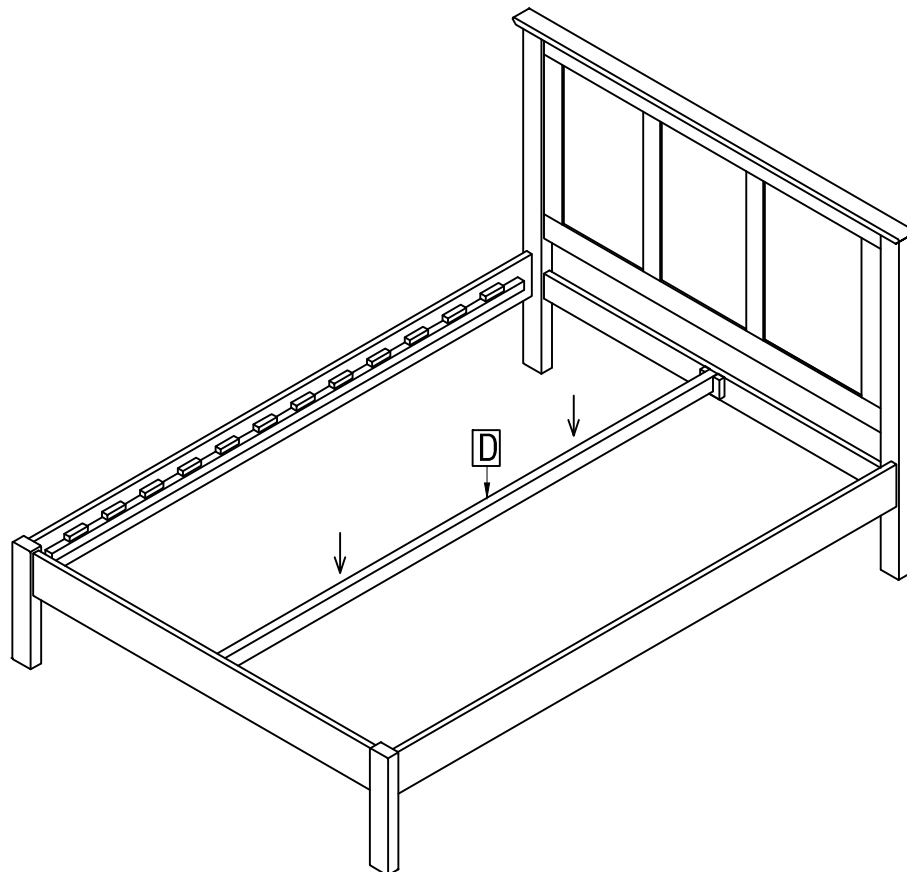


1pc

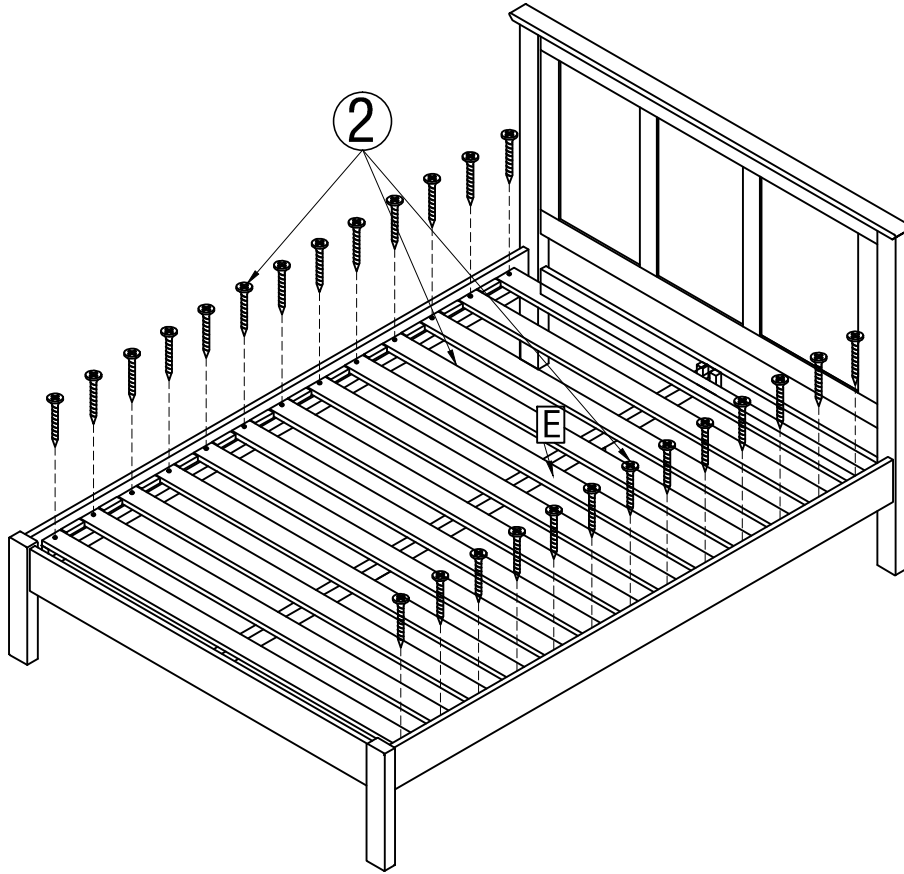
## Step 1



## Step 2



## Step 3



## Final

