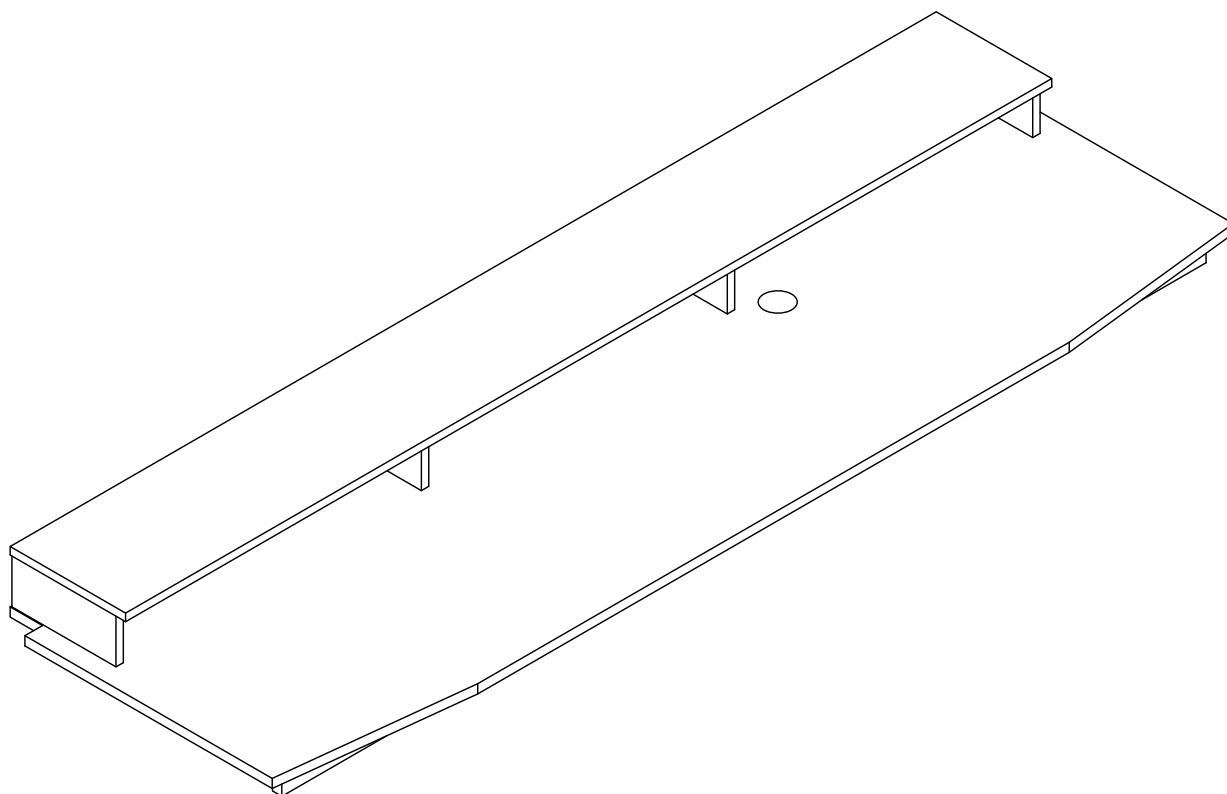




Gaming Desk Plate

GMDESKPLATE

Assembly instructions - please keep for future reference



Dimensions

Width- 208 cm

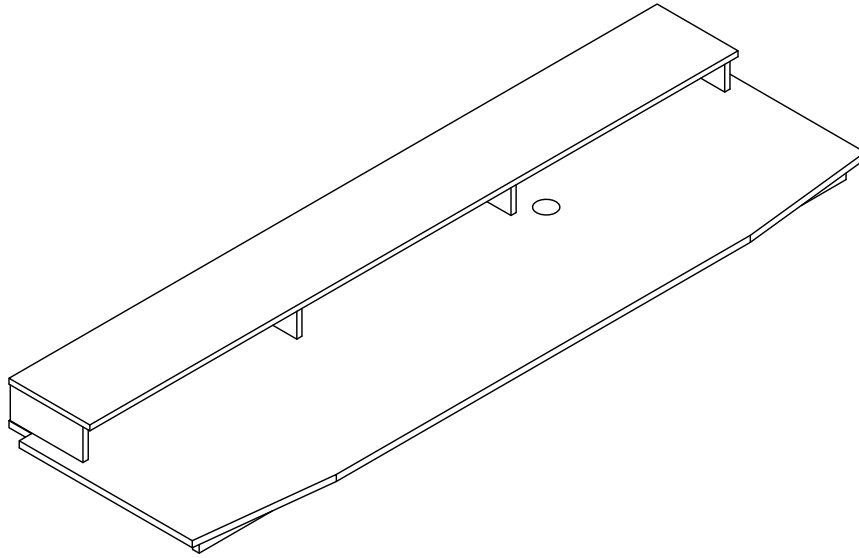
Depth- 65 cm

Height- 13,5 cm

Important- Please read these instructions fully before starting assembly

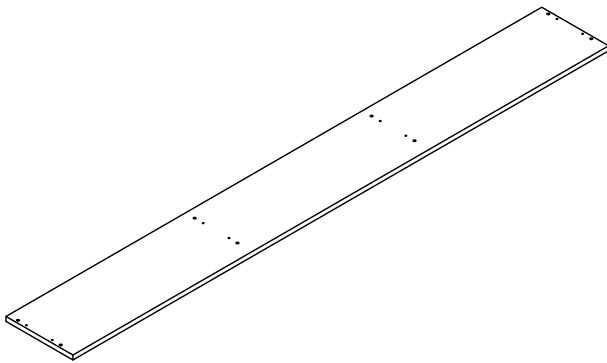
If you need help or have damaged or missing parts, call the Customers Helpline: 03301241100

E mail: enquiries@bensonsforbeds.co.uk

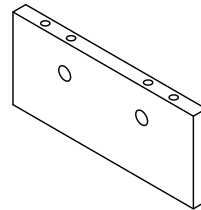


Components- Panels

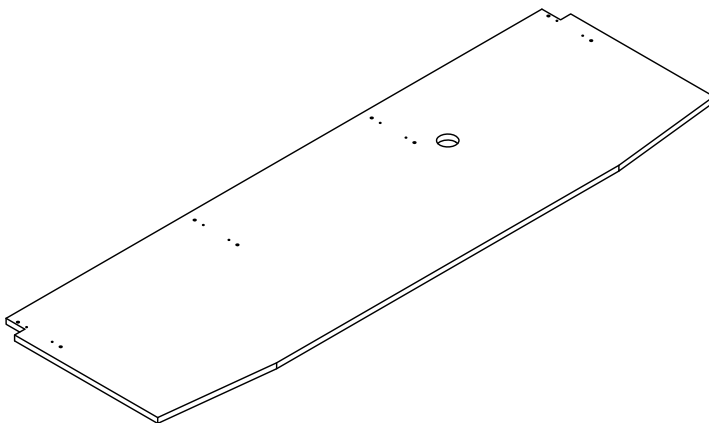
Please check that you have the panels listed below



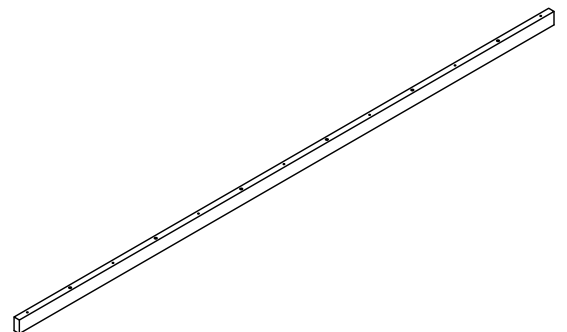
1 Top x1
(200,4x25x1,6 cm)



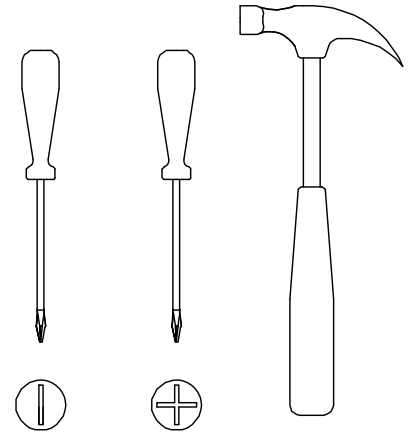
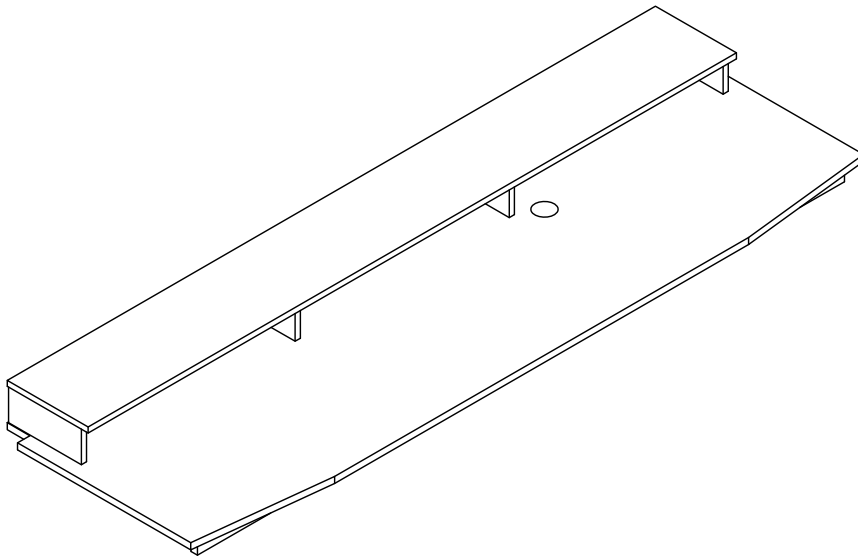
2 Partition panel x4
(10x22,5x1,6 cm)



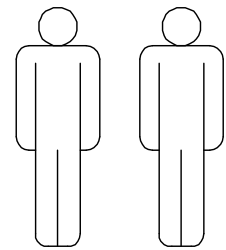
3 Table top x1
(208x65x1,9 cm)



4 Support rails x1
(200x4,4x2 cm)




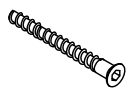


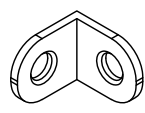



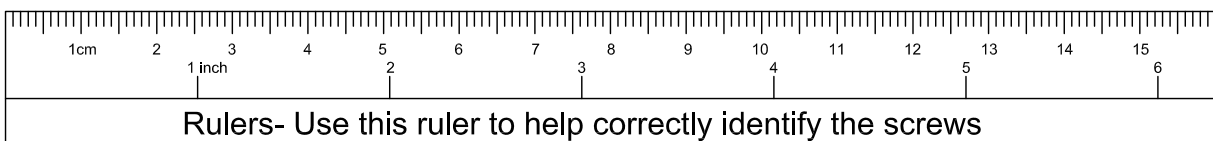
Tools that are needed



Components- Fittings

Please check that you have the fittings listed below

 A 8x30 22x	 B 8x	 C 8x	 D 8x 5x50	 E 8x 4,5x50	 F 4x 4x15
				 G 2x	 H 1x

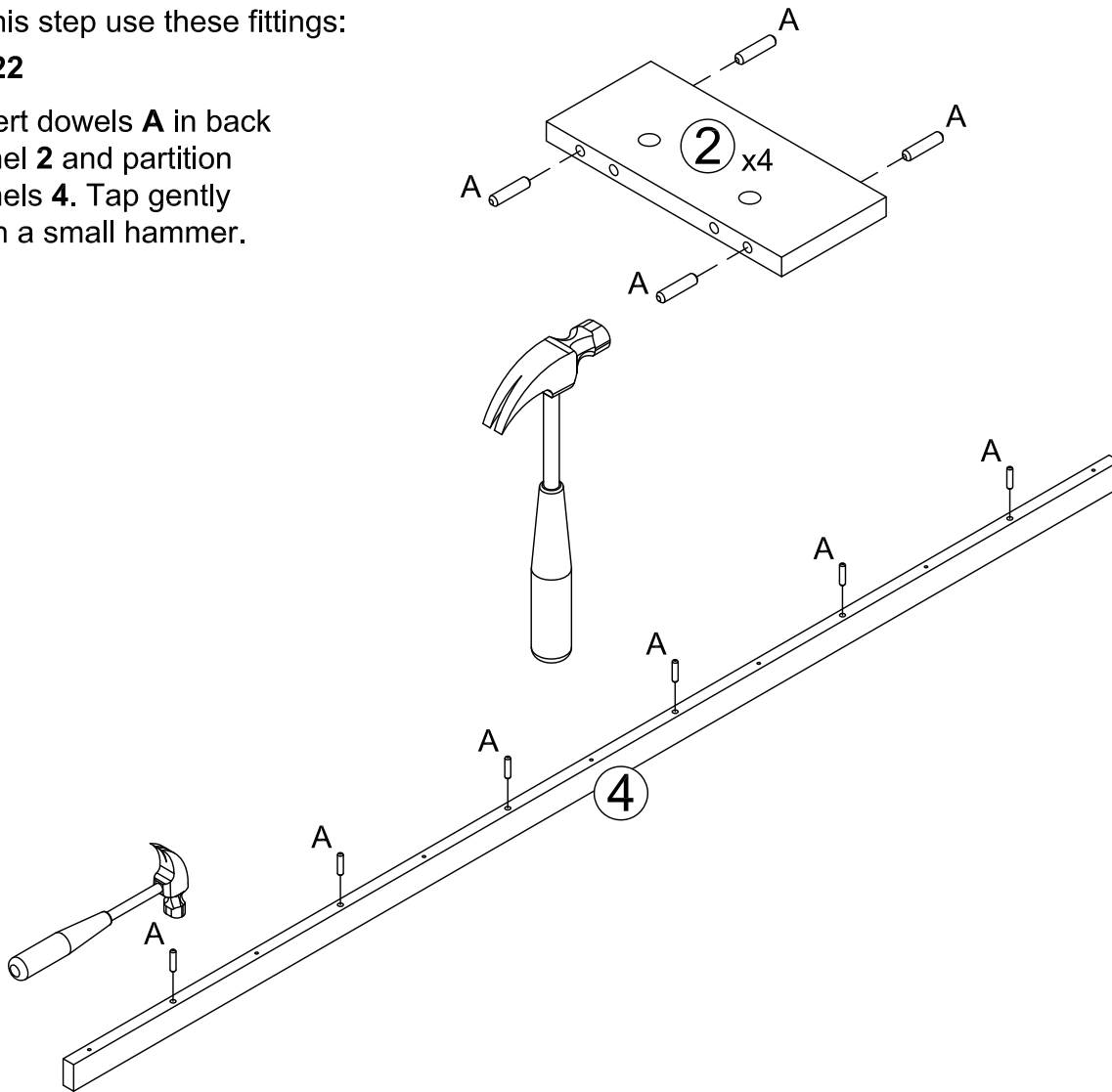


Step 1

In this step use these fittings:

Ax22

Insert dowels **A** in back panel **2** and partition panels **4**. Tap gently with a small hammer.

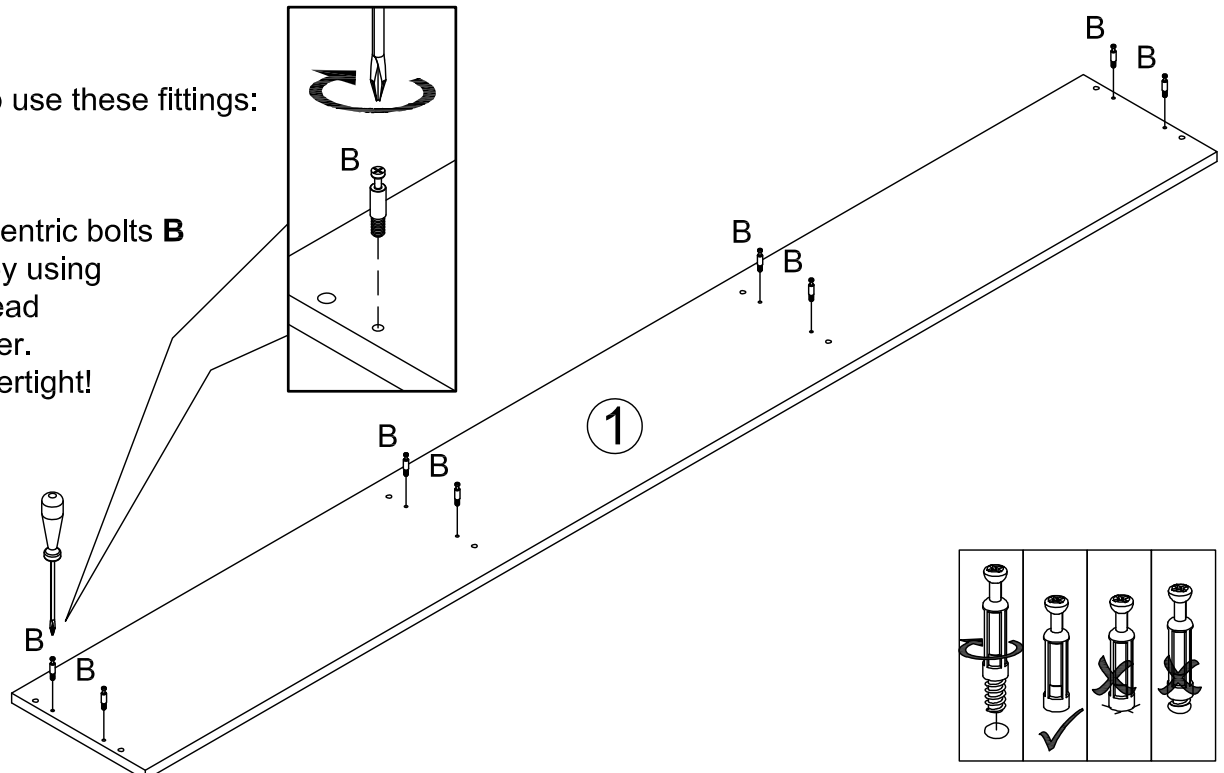


Step 2

In this step use these fittings:

Bx8

Place eccentric bolts **B** in Top **1** by using Phillips head screwdriver. Do not overtight!



Step 3

In this step use these fittings:

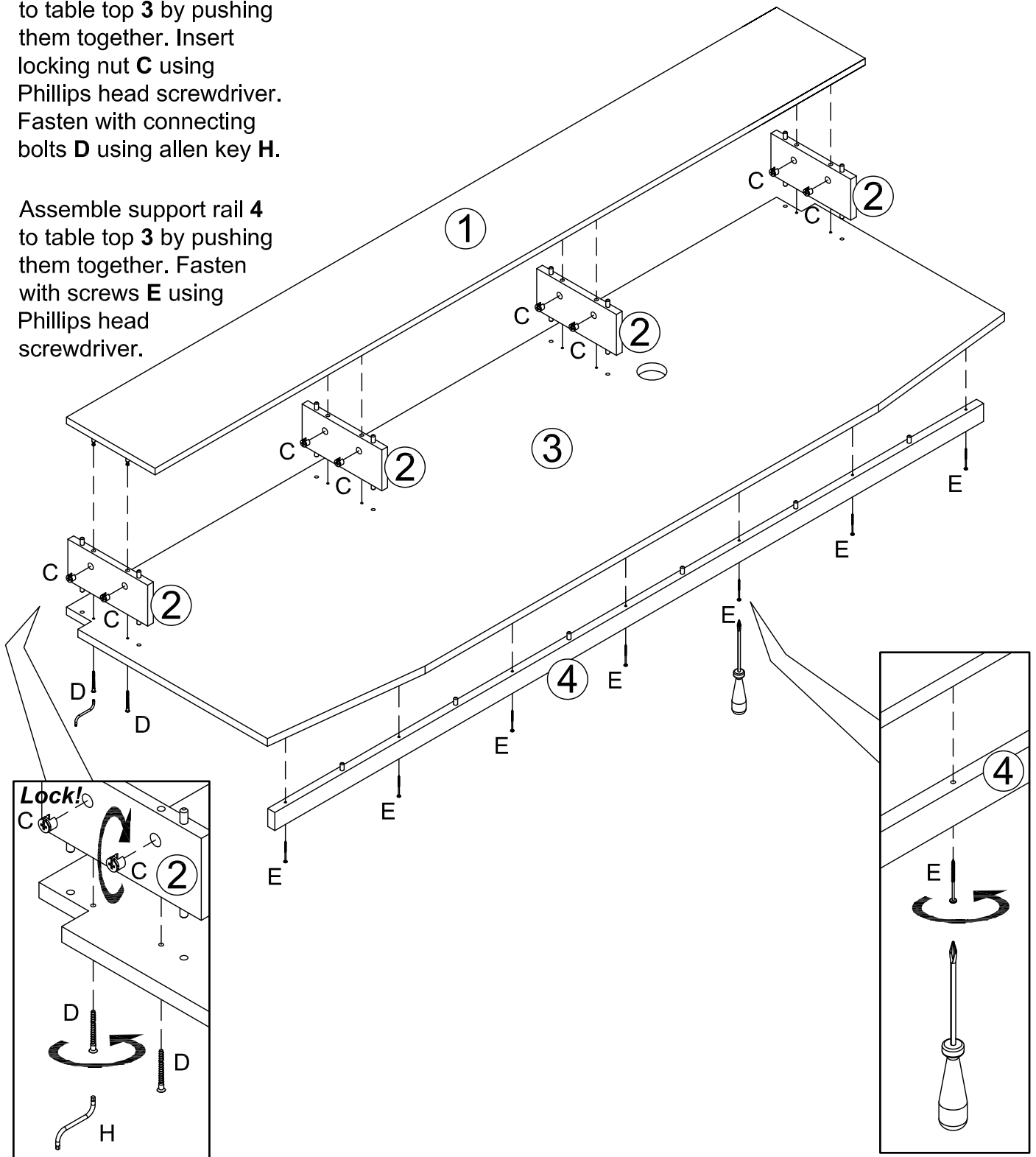
Cx8

Dx8

Ex7

Assemble partition panel 2 to table top 3 by pushing them together. Insert locking nut C using Phillips head screwdriver. Fasten with connecting bolts D using allen key H.

Assemble support rail 4 to table top 3 by pushing them together. Fasten with screws E using Phillips head screwdriver.



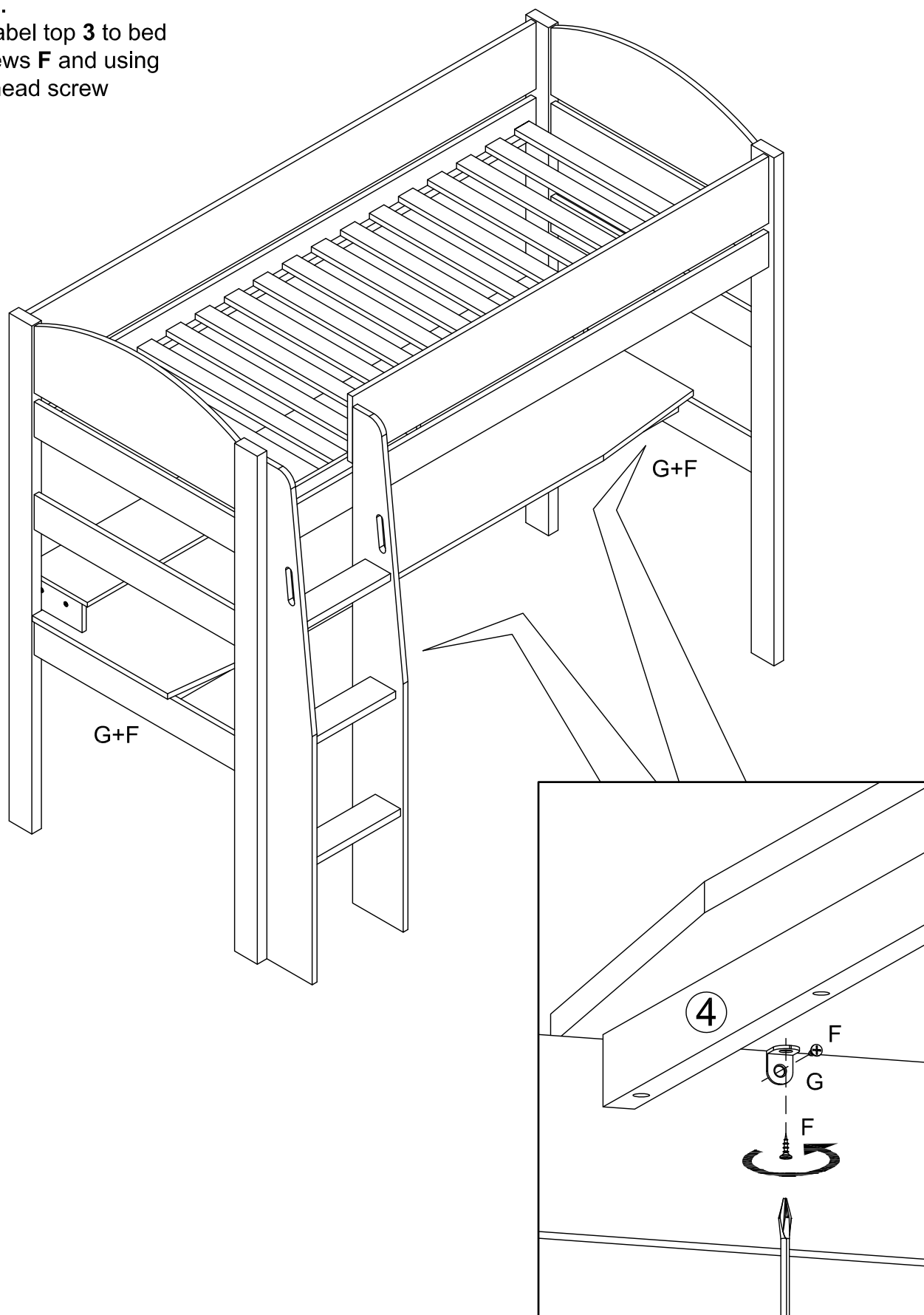
Step 4

In this step use these fittings:

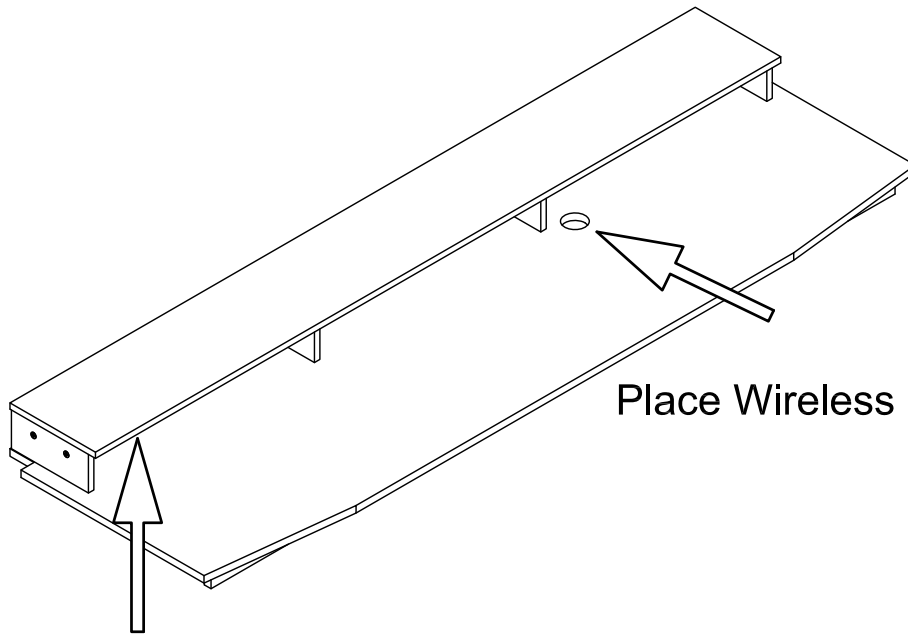
Gx2

Fx4

Attach Gaming Desk to your bed.
Fasten tabel top **3** to bed with screws **F** and using Phillips head screw driver.



Step 5
(Optional!)



Place Wireless Charger here

Fit Led Kit here



Customer Notice

Congratulations on your recent purchase of furniture!

Customer Service:

For any spare or missing parts requests please contact us through either:

Phone: 01274 809402

Email: service@kids-avenue.co.uk

By Post: Kids-Avenue, The Old Mill House, Dockfield Rd, Shipley, BD17 7AD

(Our office is open during normal working hours Mon-Fri 9.00am – 5.00pm)

Please ensure that you provide all product information to avoid delays in processing. We require:

Product Name

Colour

Part No required (from assembly instructions)

Quantity Required

Your details including; Name, Address, Postcode and Contact Number

Our product control team has ensured a high quality product that we are sure you will be pleased with. Any components produced from solid wood will contain knots, which is a natural feature and not a defect.