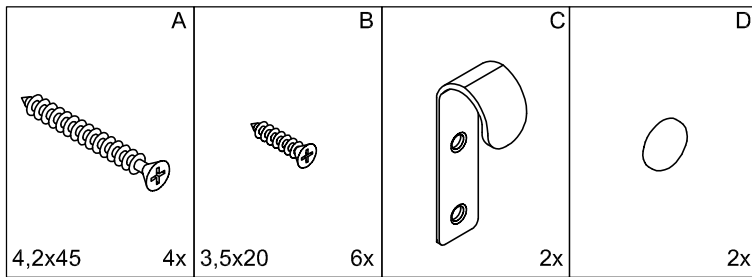
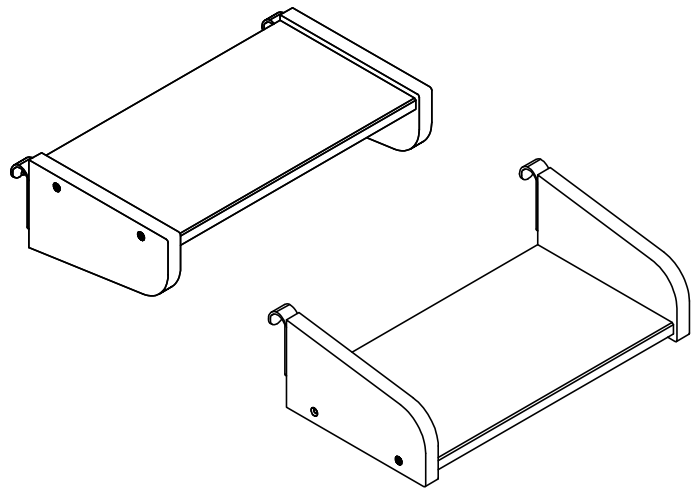
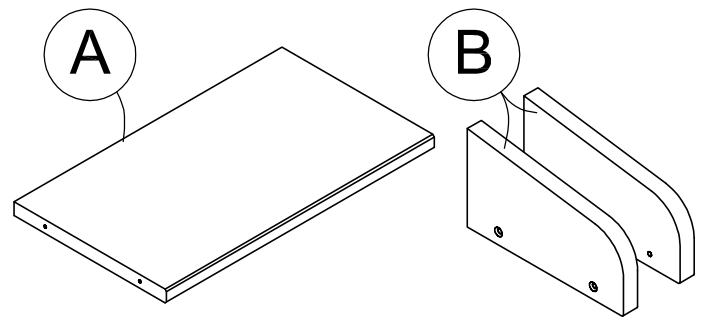
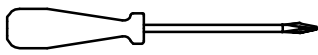


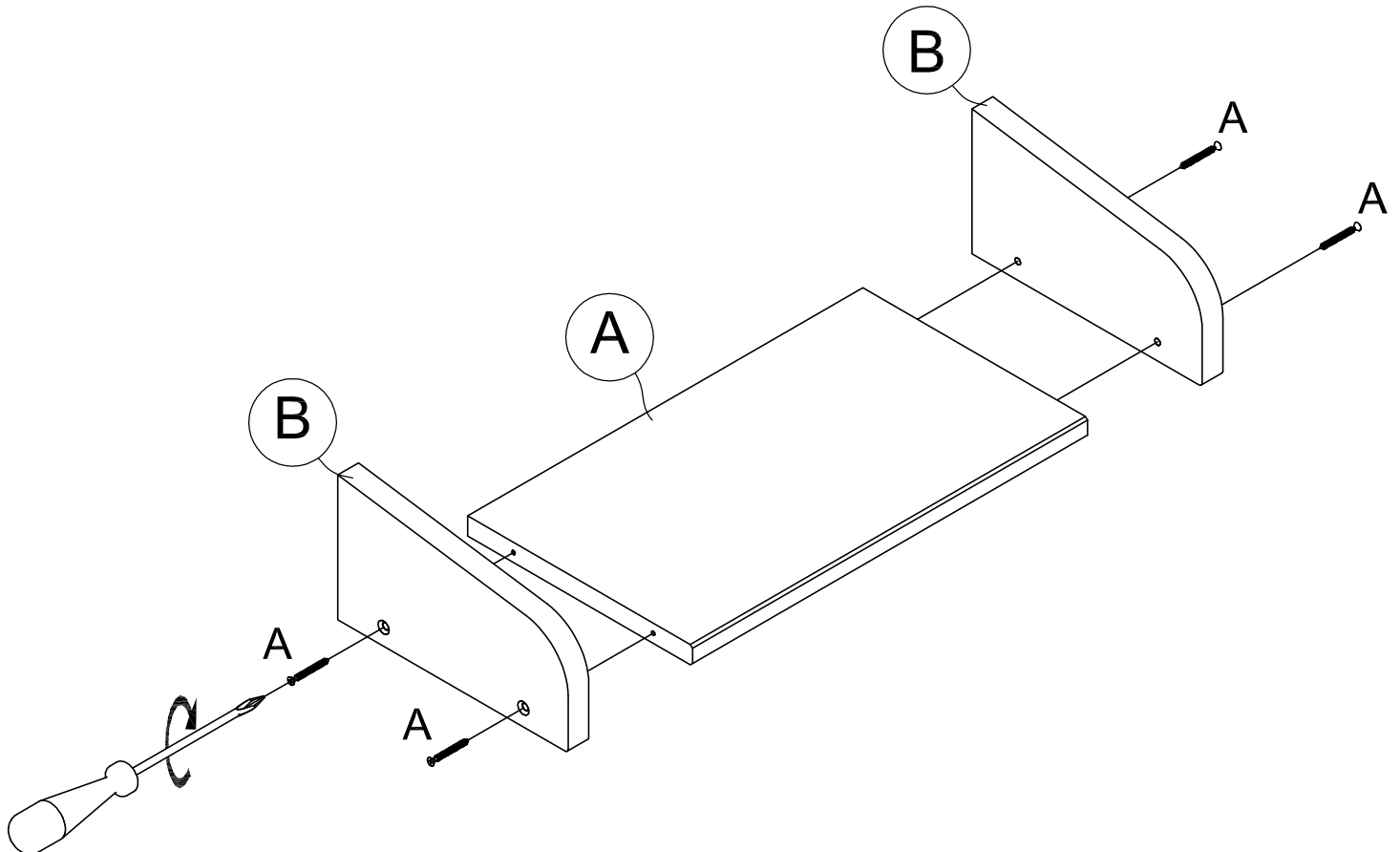
# Clip on Shelf

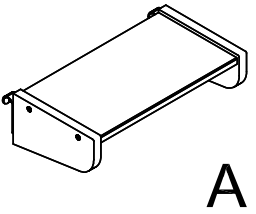


Tools that are needed



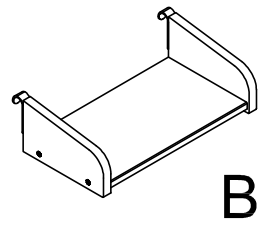
1





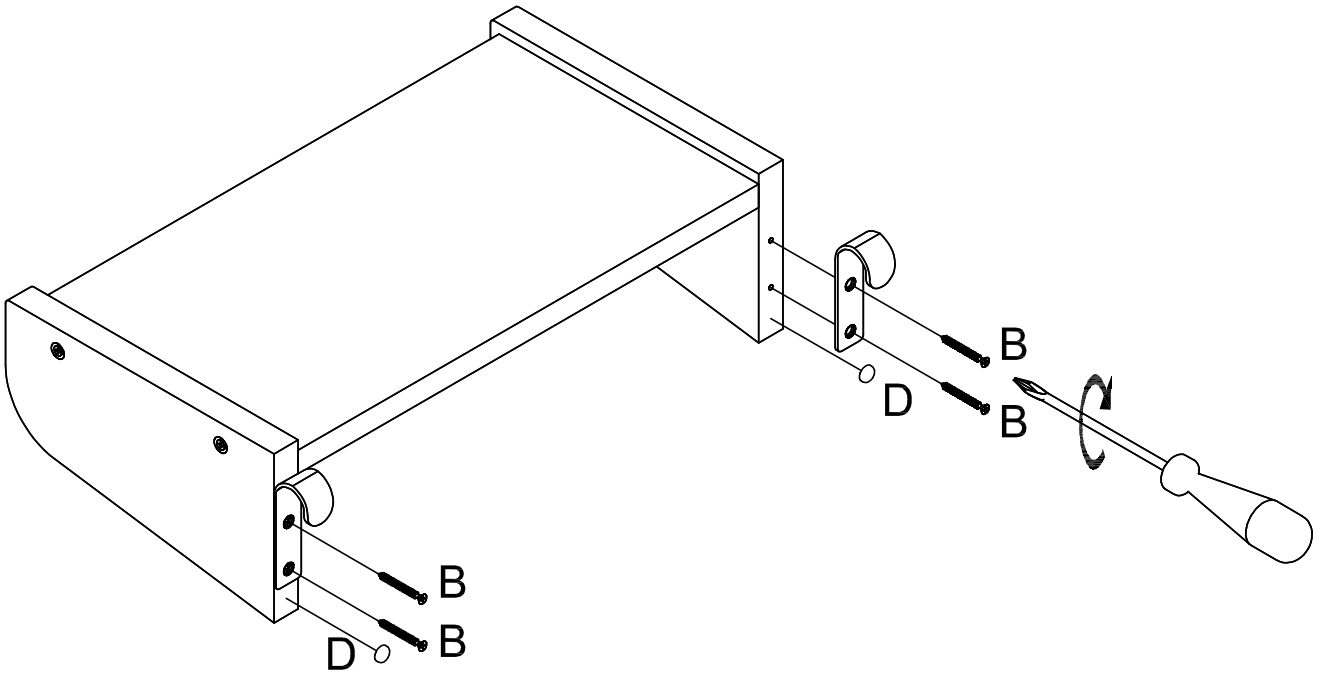
A

Please notice that you have two options on how to assemble the shelf, A or B. Please follow the instructions of your chosen options.

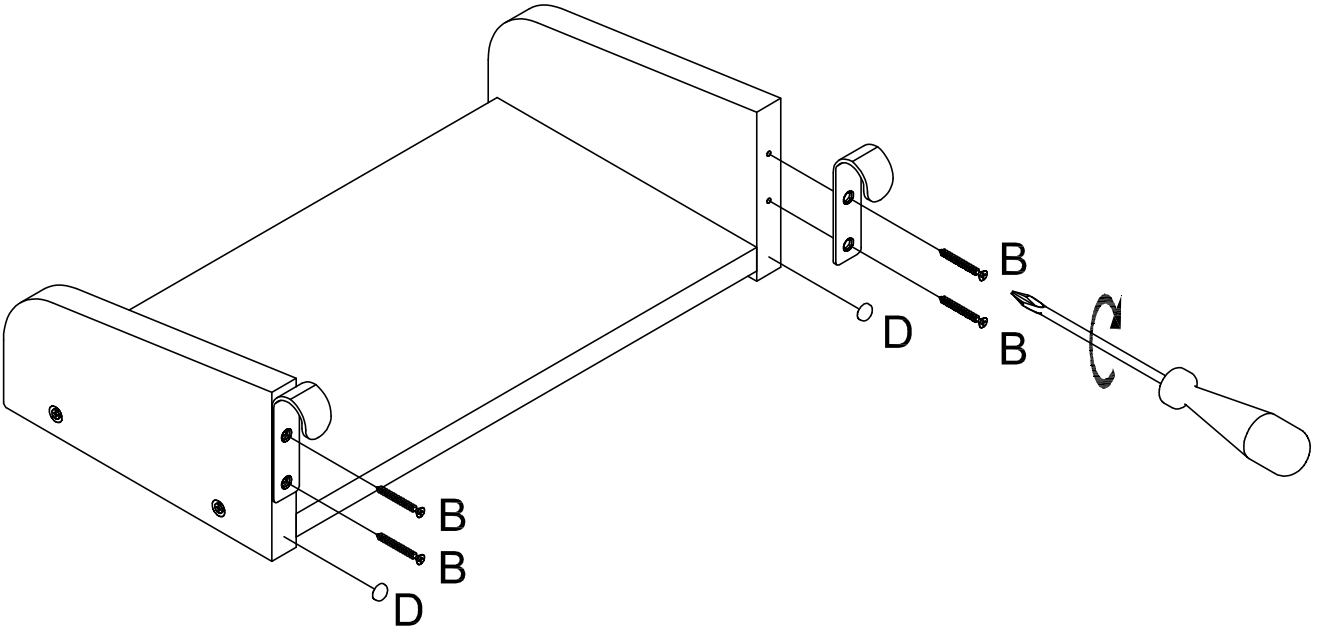


B

2A



2B



3

Please fasten the shelf to the slat support rail or the safety rail. For safety please mount the shelf away from the ladder.

